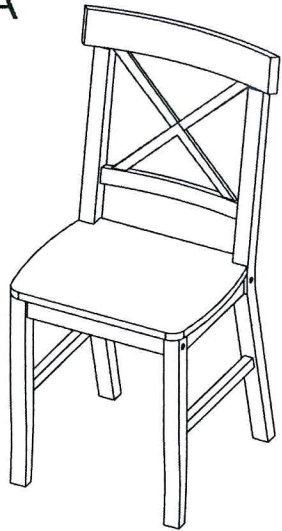


867A



x1



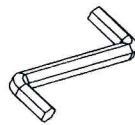
Φ8x30  
E x 10



Φ7x60  
F x 4



Φ4x40  
G x 4



4MM  
H x 1

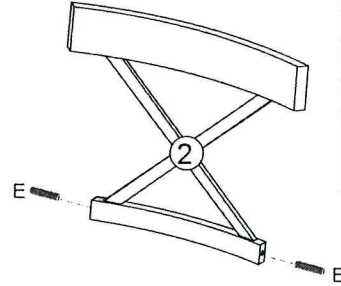


M6x40  
K x 2

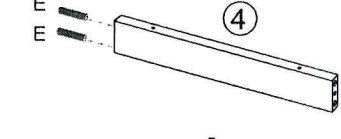
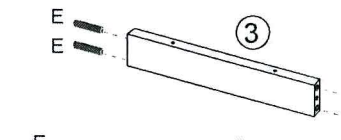
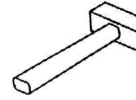


J x 4

1.

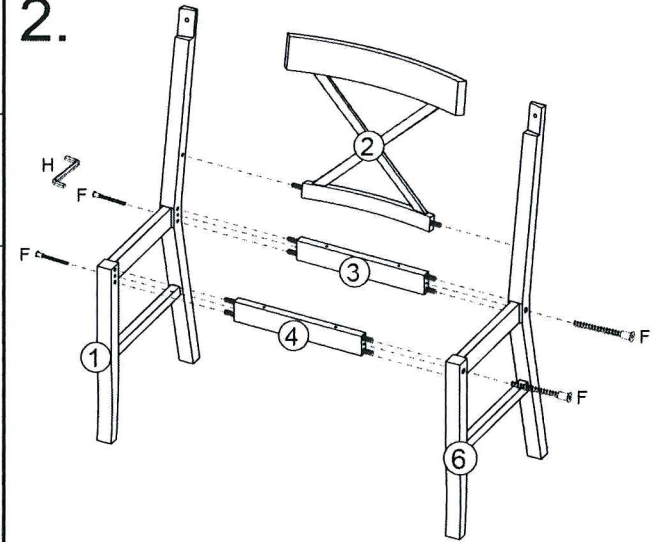


Φ8x30  
E x 10

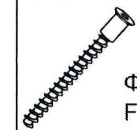


x1

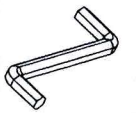
2.



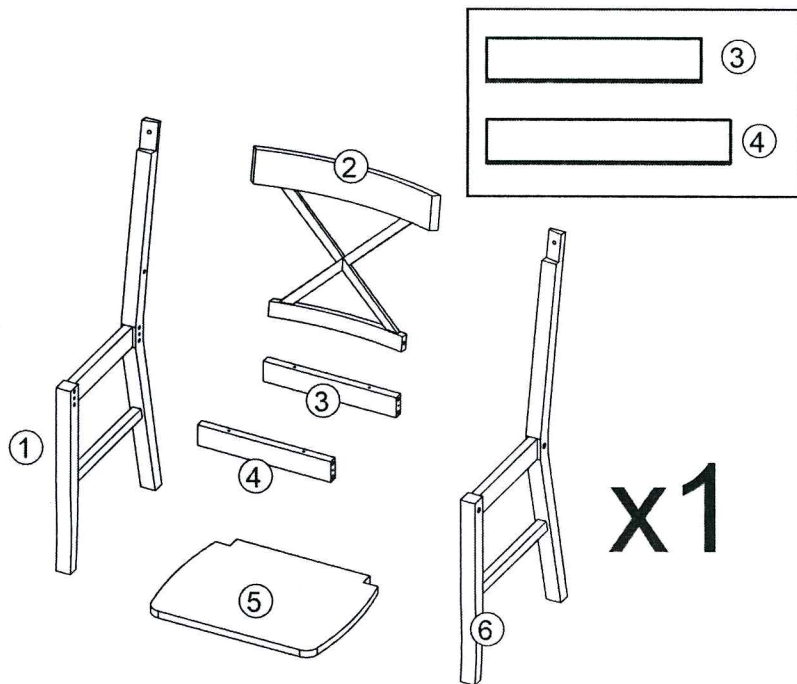
x1



Φ7x60  
F x 4

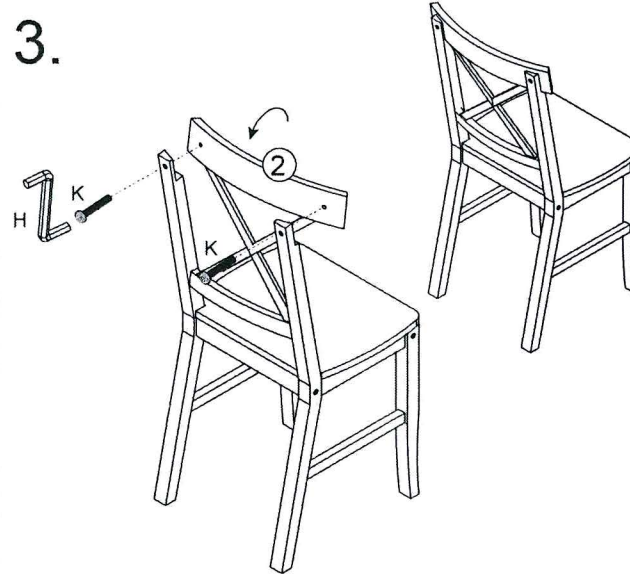


4MM  
H x 1



x1

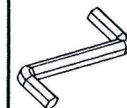
3.



x1

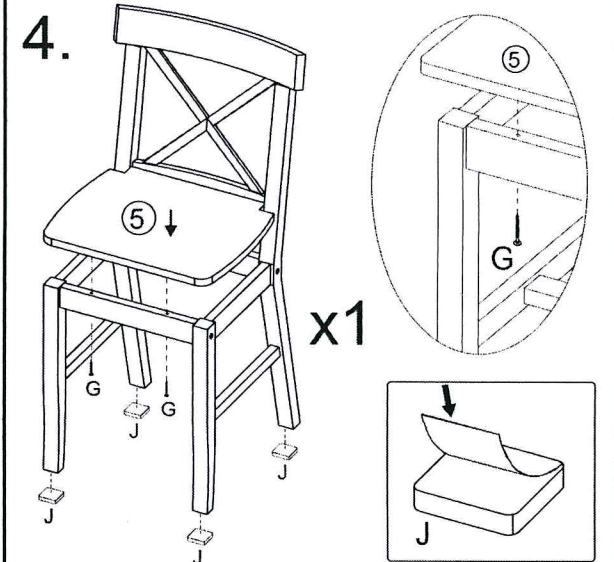


M6x45  
K x 2



4MM  
H x 1

4.



x1



J x 4



Φ4x40  
G x 4

