
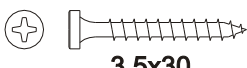

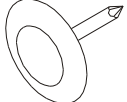

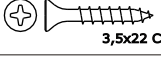


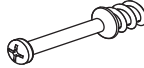

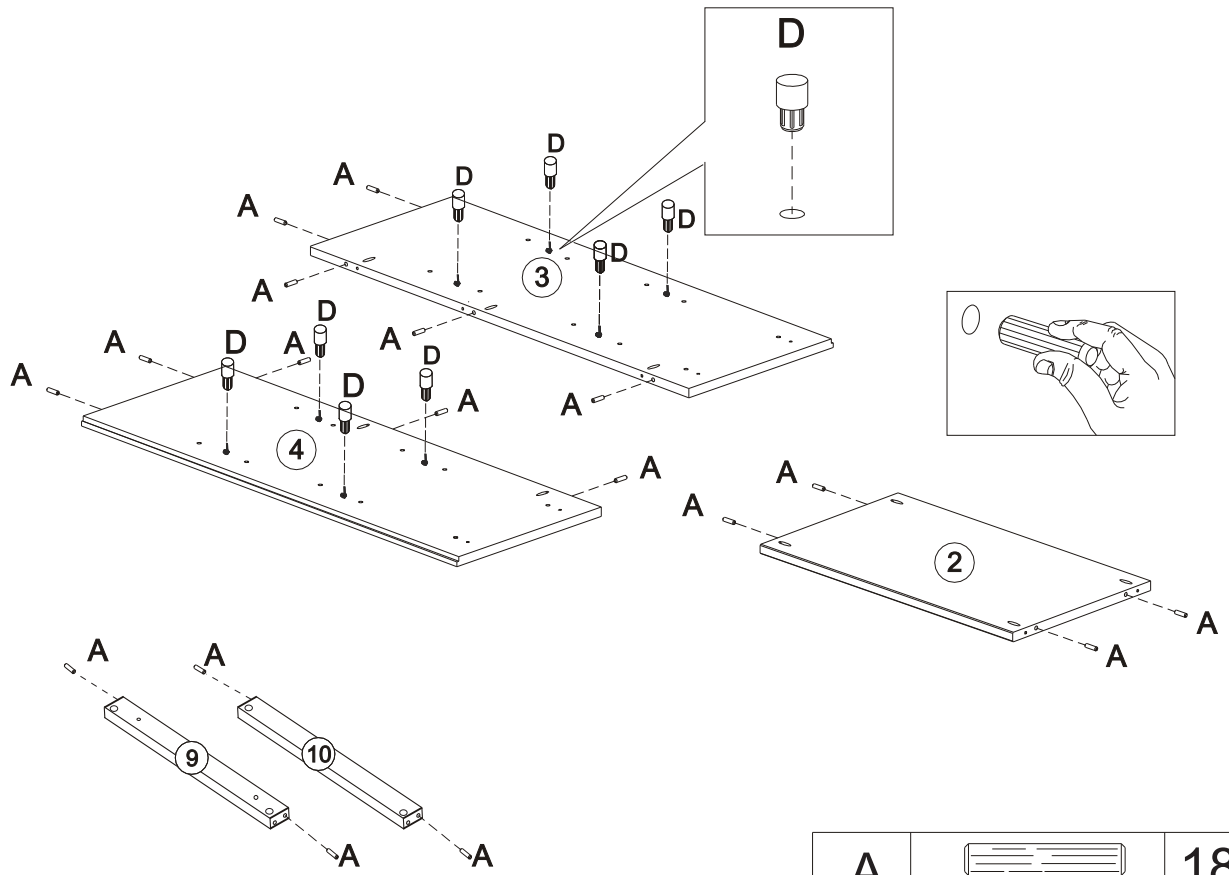
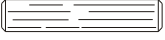



A	 08 x 25	18
B	 3,5x30	21
C		08
D		04

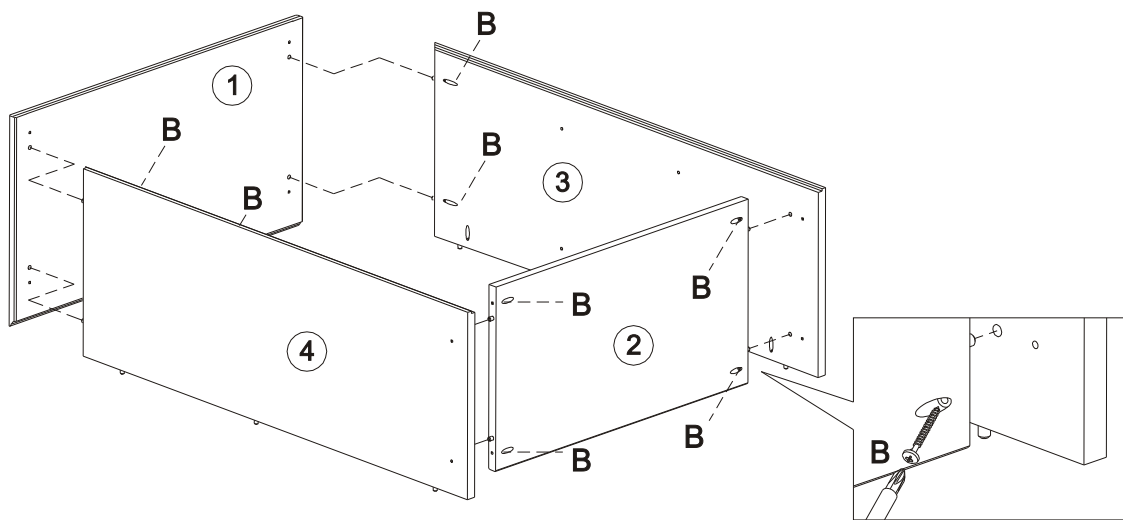
E	 10x10	16
F	 3,5x22 CC	01
G		01
H		02
I	 Ø 5,0x24 mm	04
J	 Ø 15x12 mm	04


01



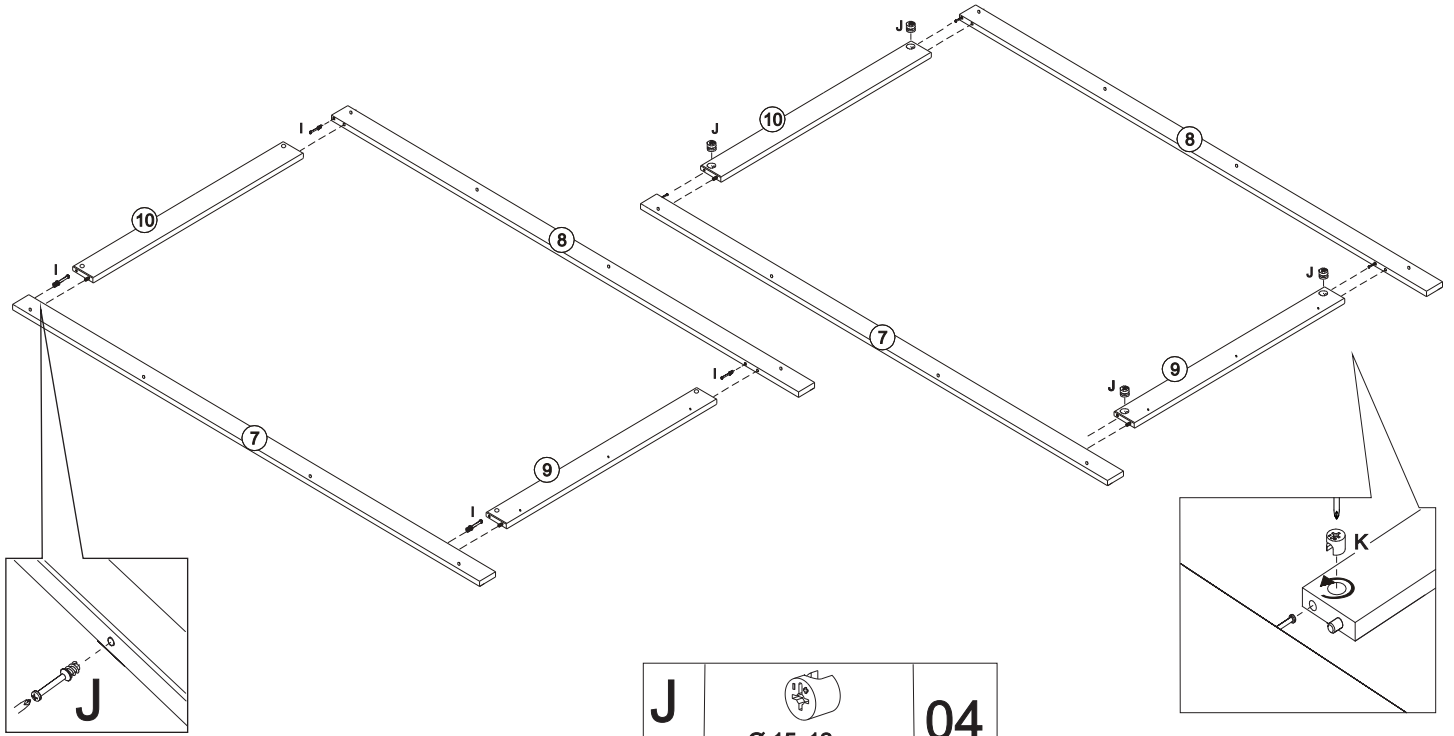
A	 08 x 25	18
C		08



02



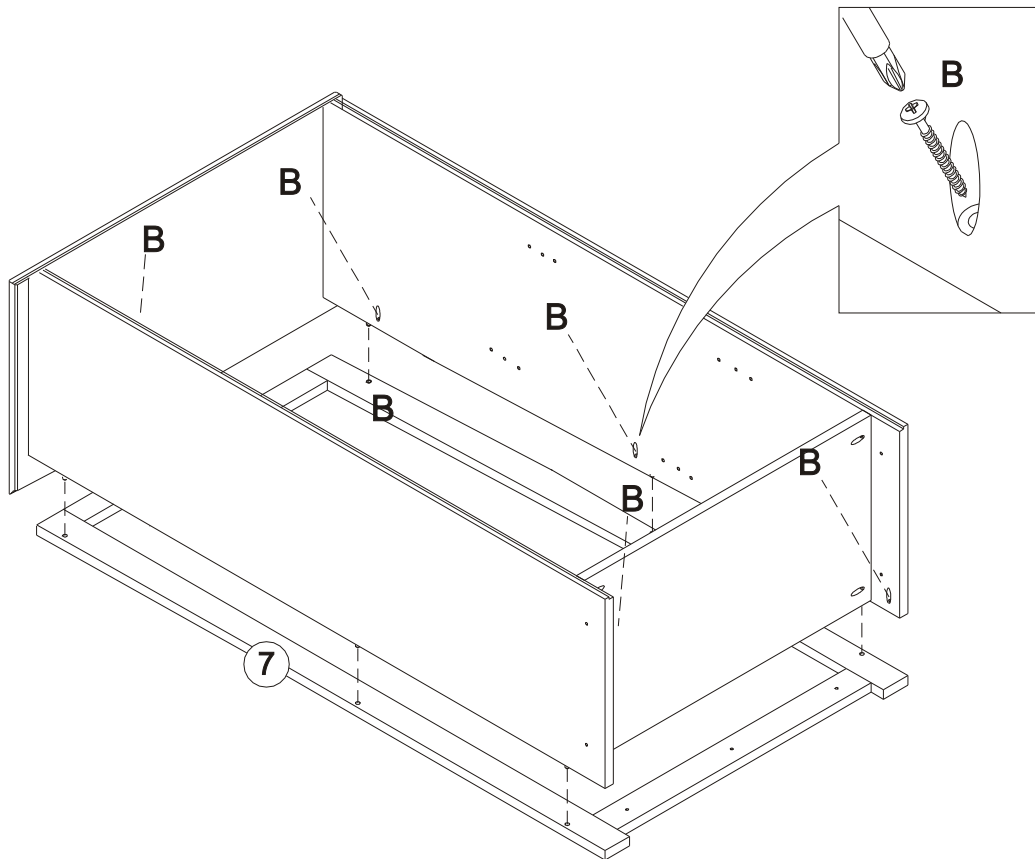
B	 3,5x30	08
---	---	----


03



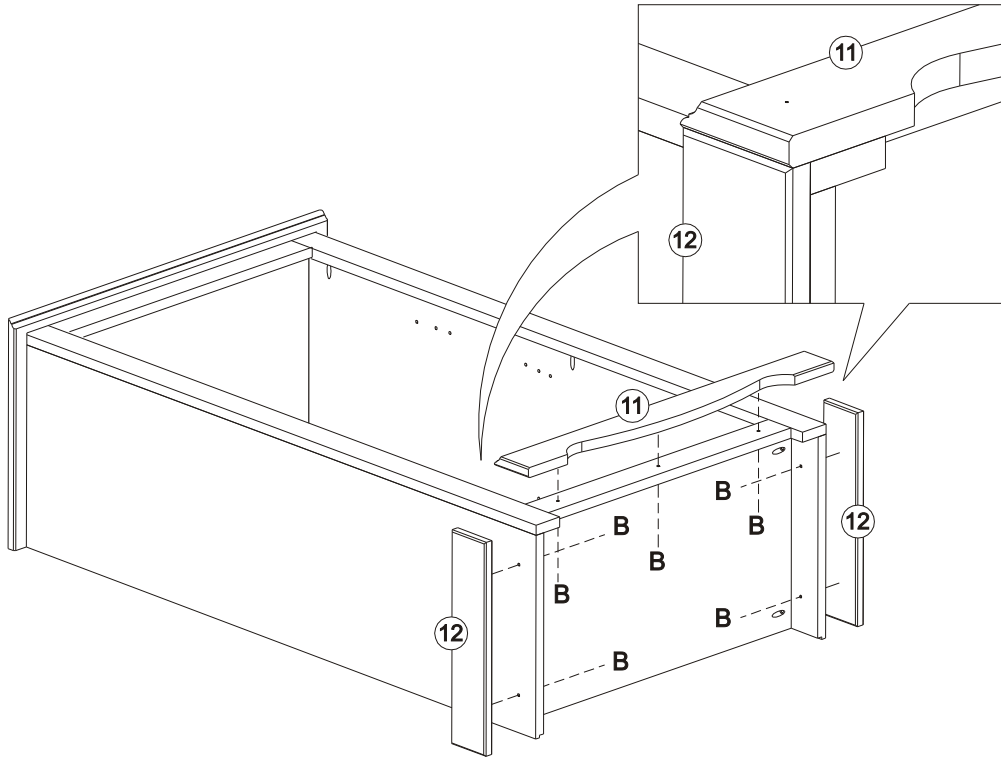
J	 Ø 15x12 mm	04
I	 Ø 5,0x24 mm	04


04



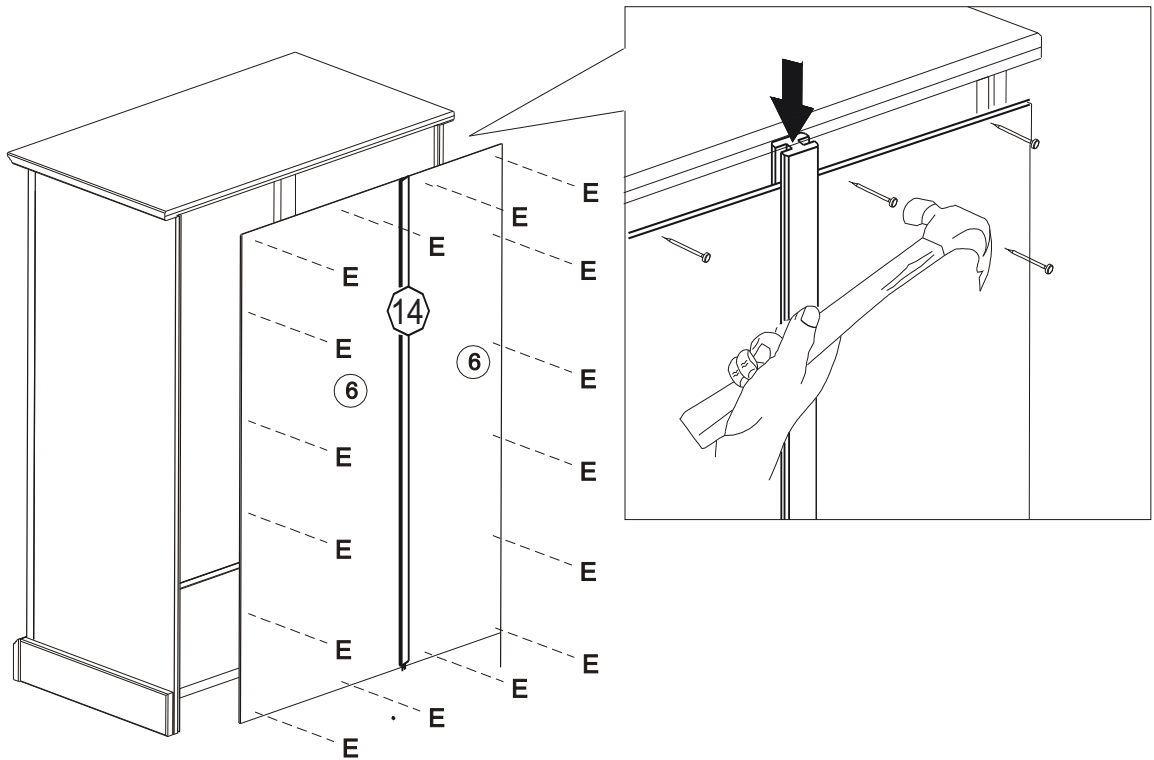
B	 3,5x30	06
----------	---	-----------


05



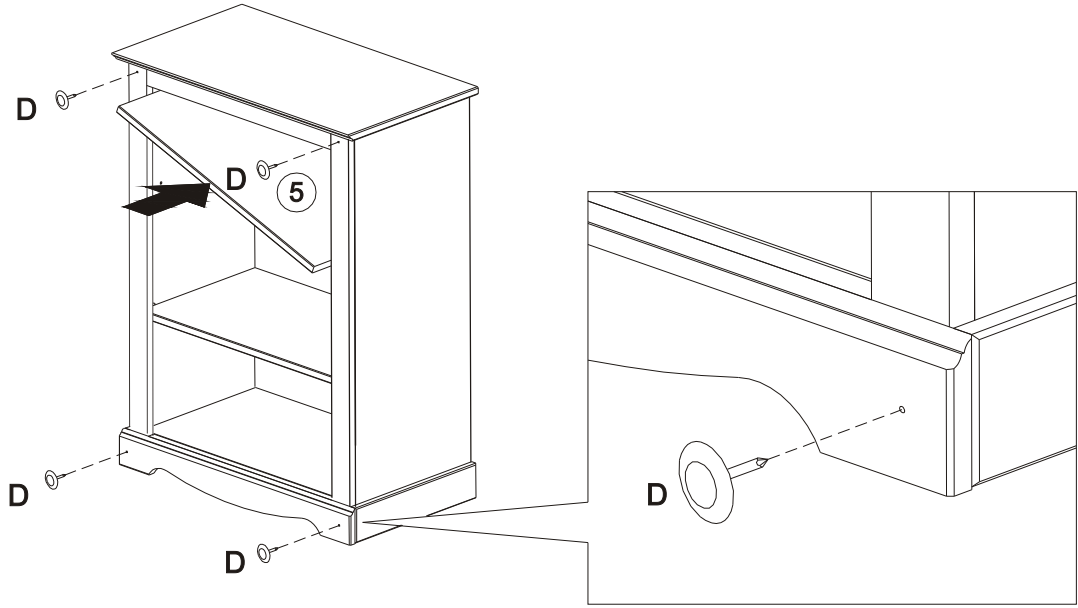
B	 3,5x30	07
---	--	----

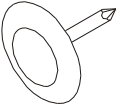
06



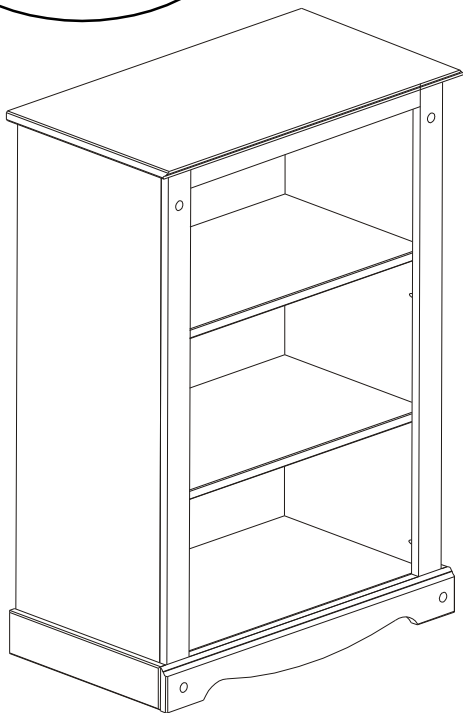
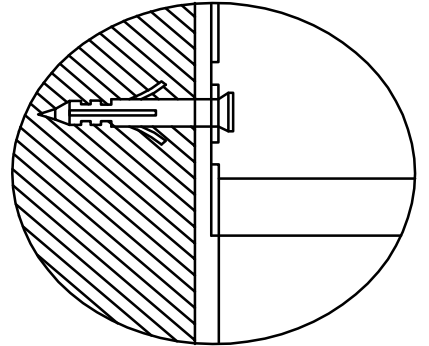
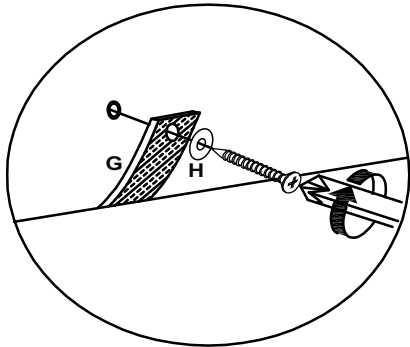
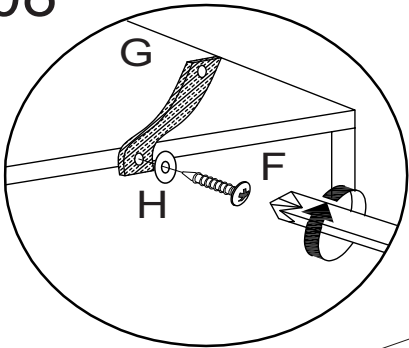
E	 10x10	16
---	---	----

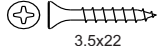
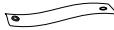

07



D		04
---	--	----

08



F	 3,5x22	01
G		01
H		02