
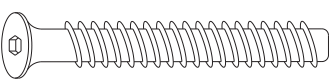
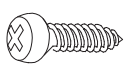
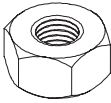
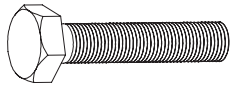



A x 4  Ø10x40mm

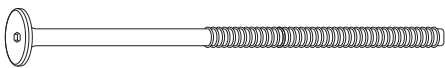
E x 2  Ø7,0x50mm

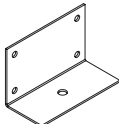
B x 8  Ø4,0x14mm


F x 2 

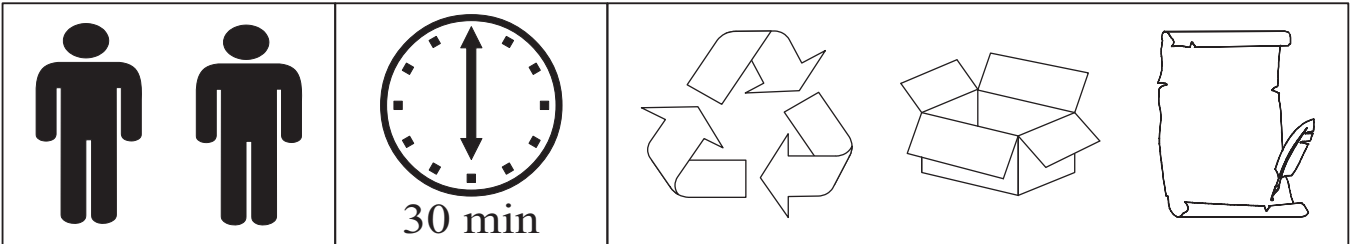
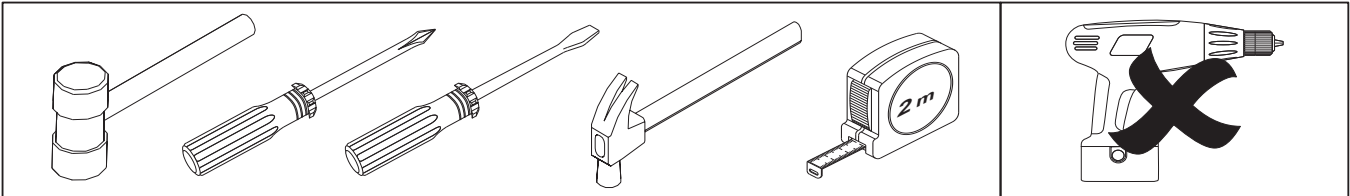
C x 2 

G x 8 

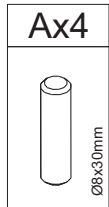
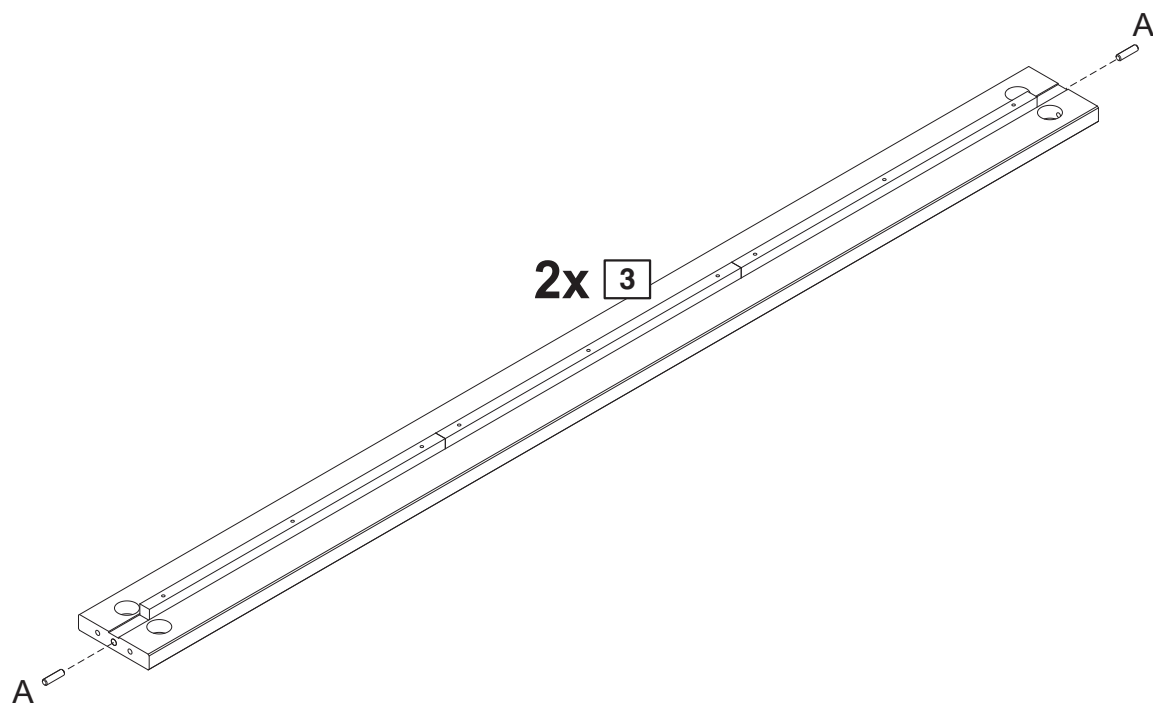
D x 8  Ø1,4x130mm

H x 2 

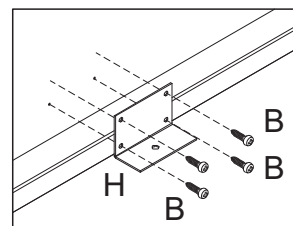
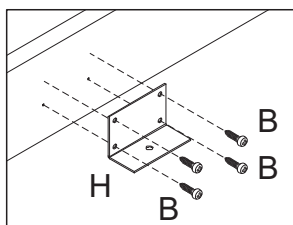
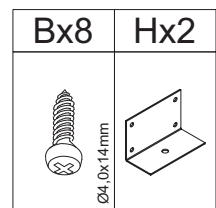
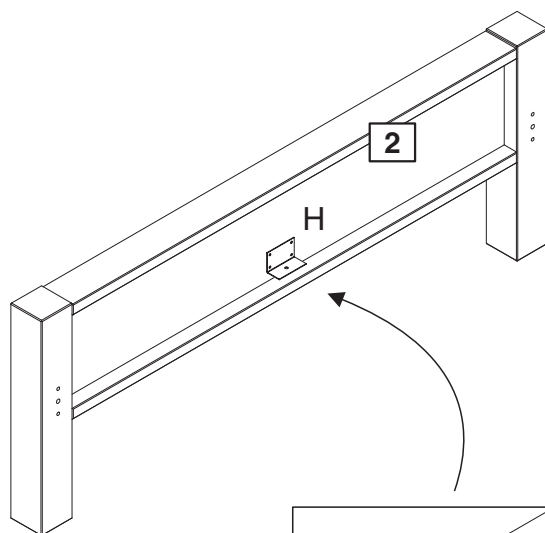
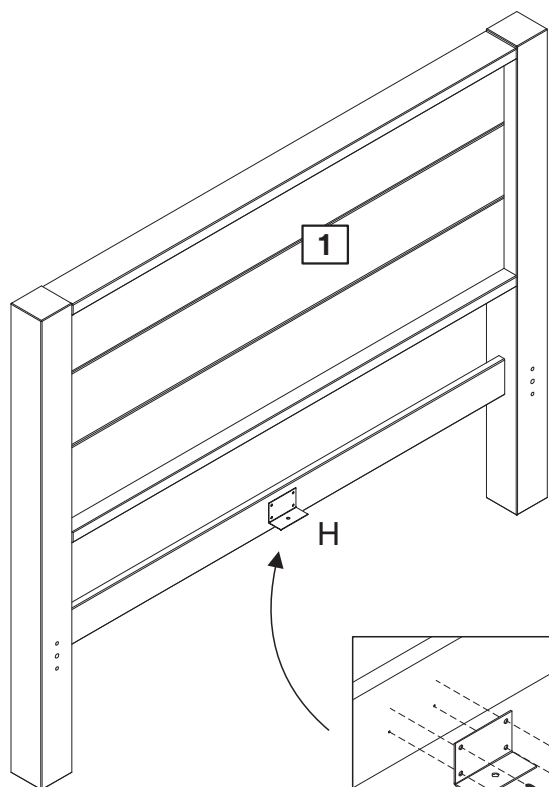
I x 1 






1

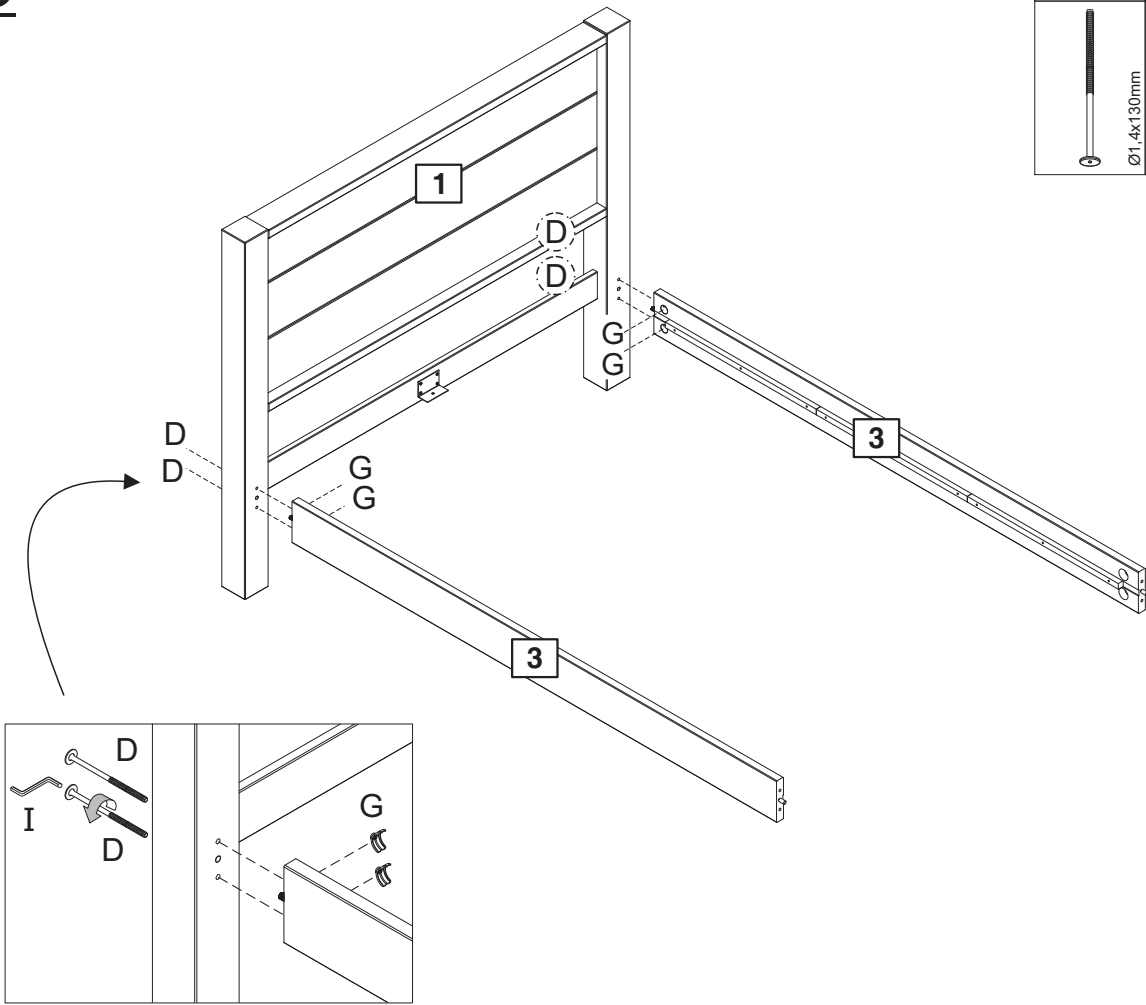


2






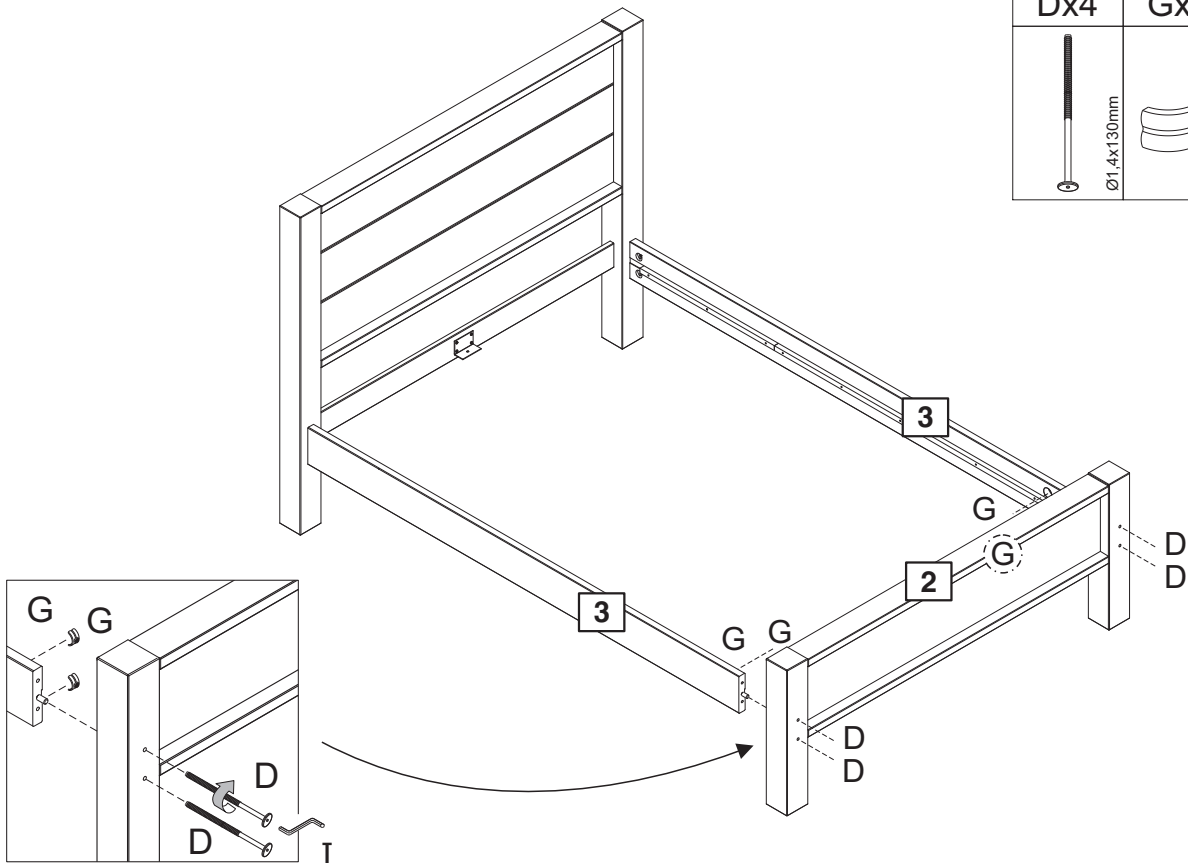
3

Dx4	Gx4	Ix1
 Ø1.4x130mm		

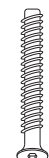



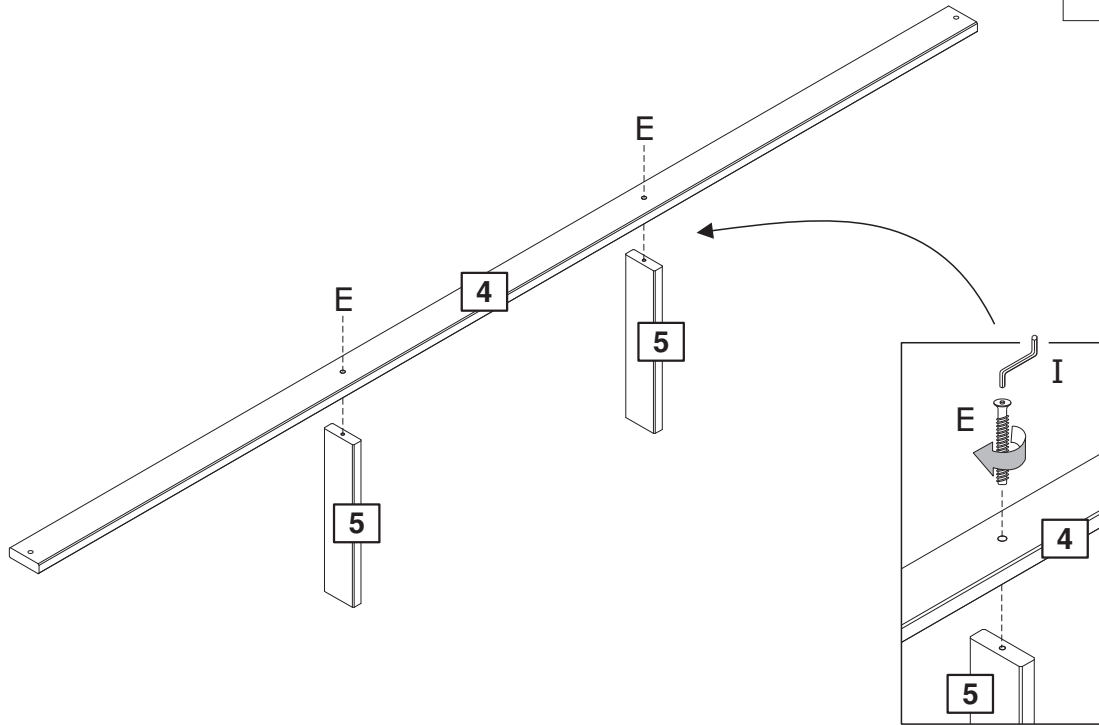
4

Dx4	Gx4	Ix1
 Ø1.4x130mm		



5

Ex2	Ix1
	
Ø7,0x50mm	



6

Cx2	Fx2
