
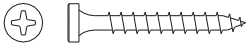

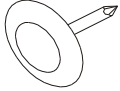


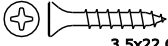



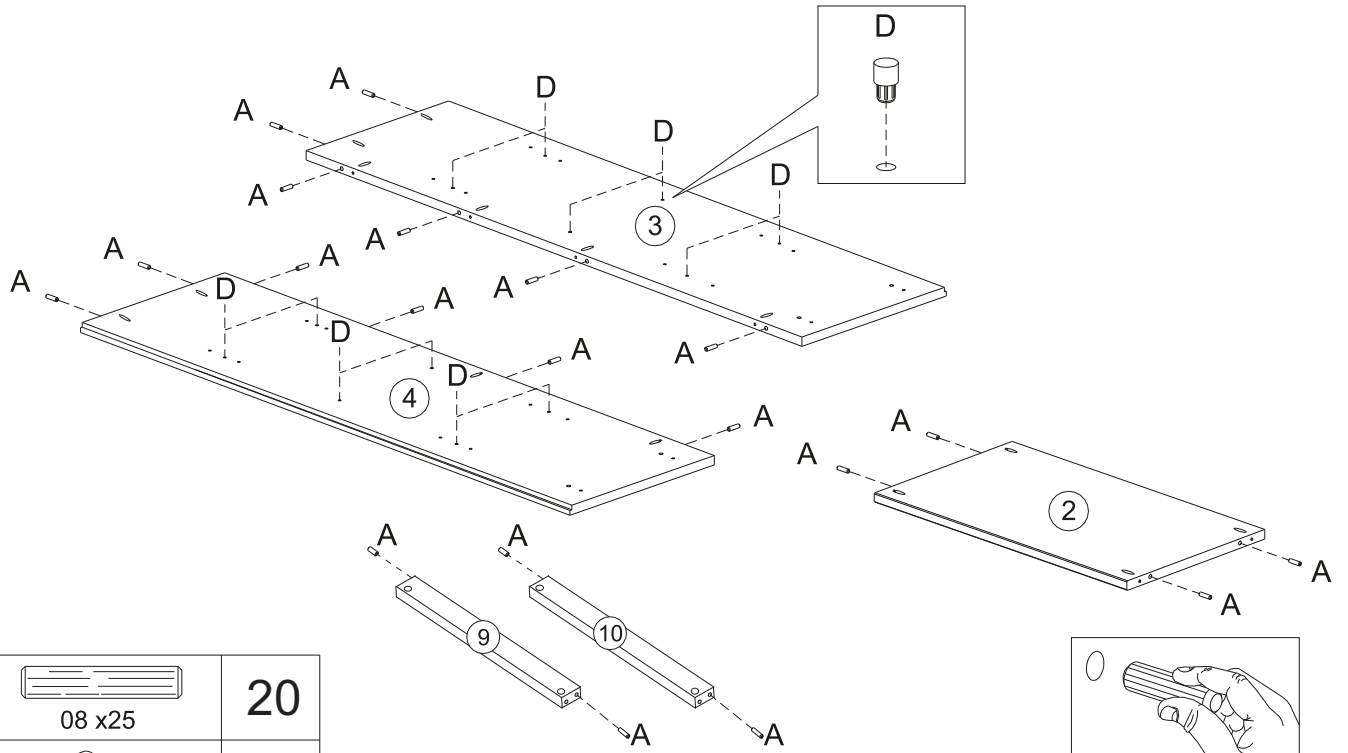
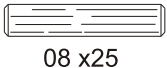



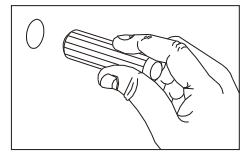
A	 08 x 25	20
B	 3,5x30	23
C		12
D		04
E	 10x10	20

F		02
G	 3,5x22 CC	01
H		01
I	 Ø 5,0x24 mm	04
J	 Ø 15x12 mm	04

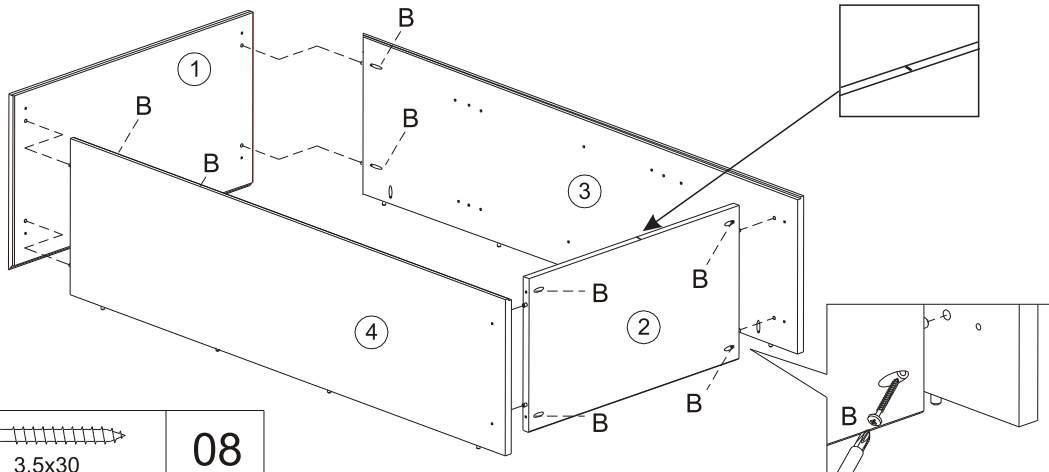
# 01

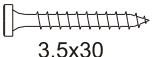


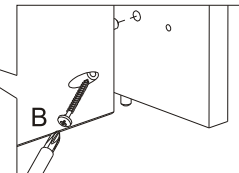
A		20
C		12



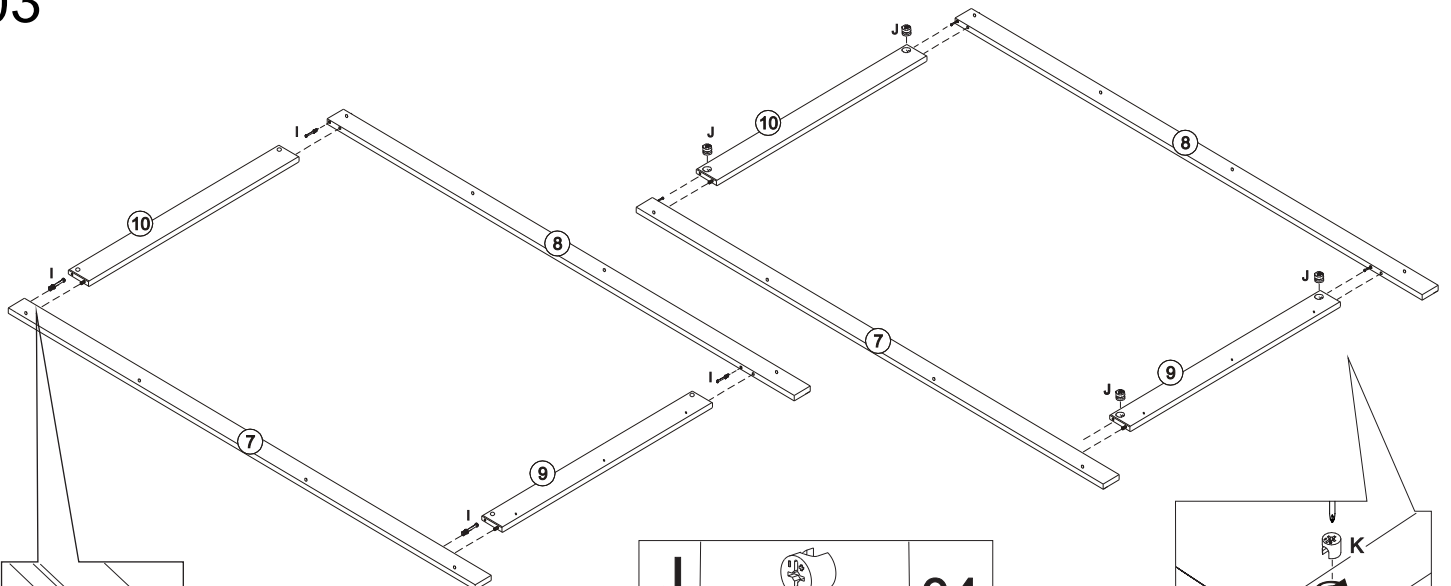
# 02




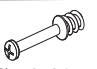
B		08
---	---	----

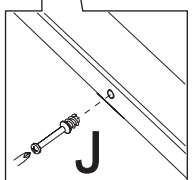
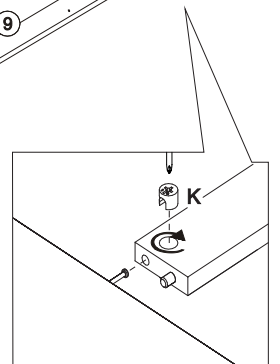


# 03

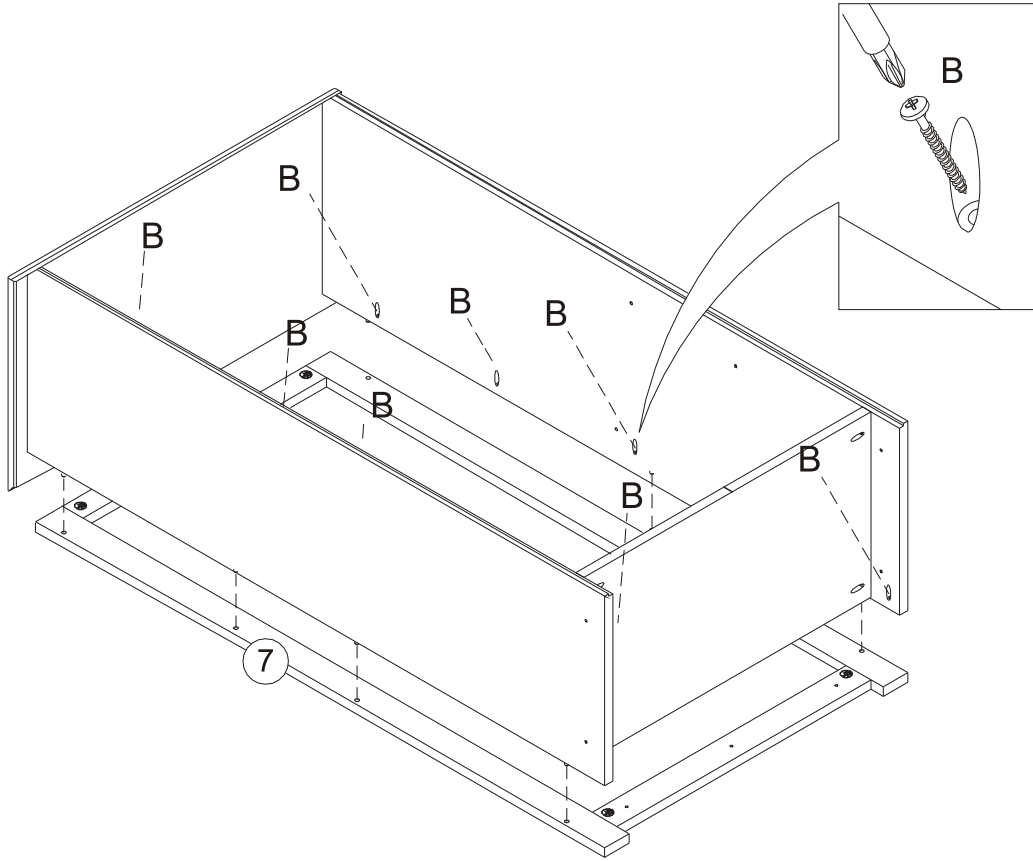



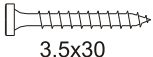
J		04
---	---	----

I		04
---	---	----

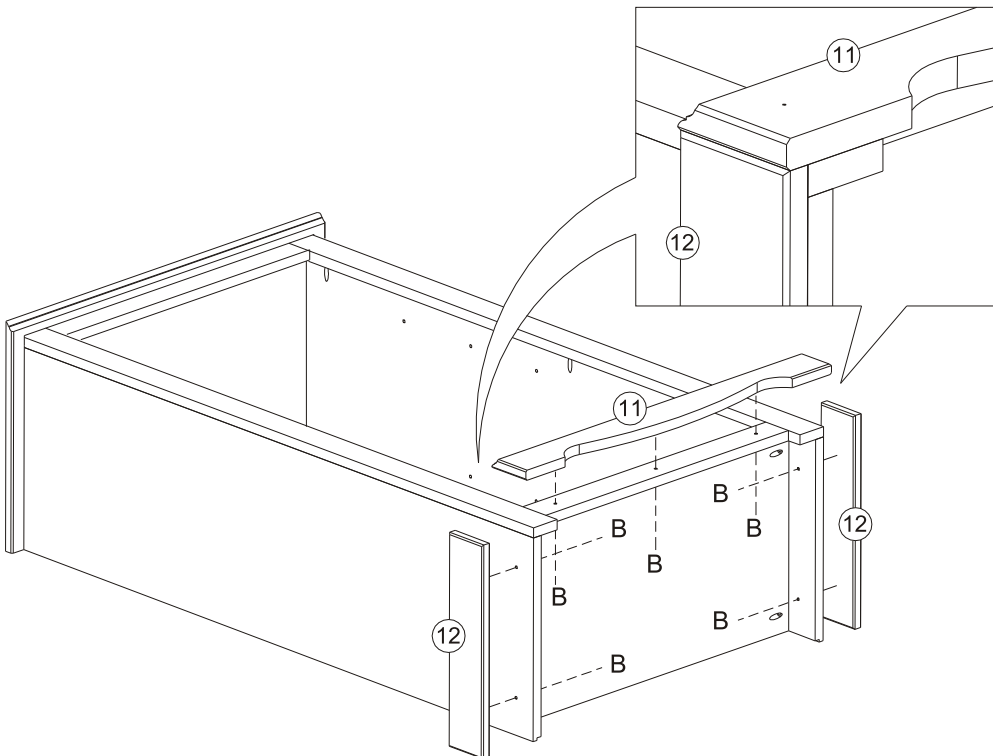



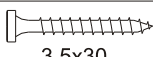
04



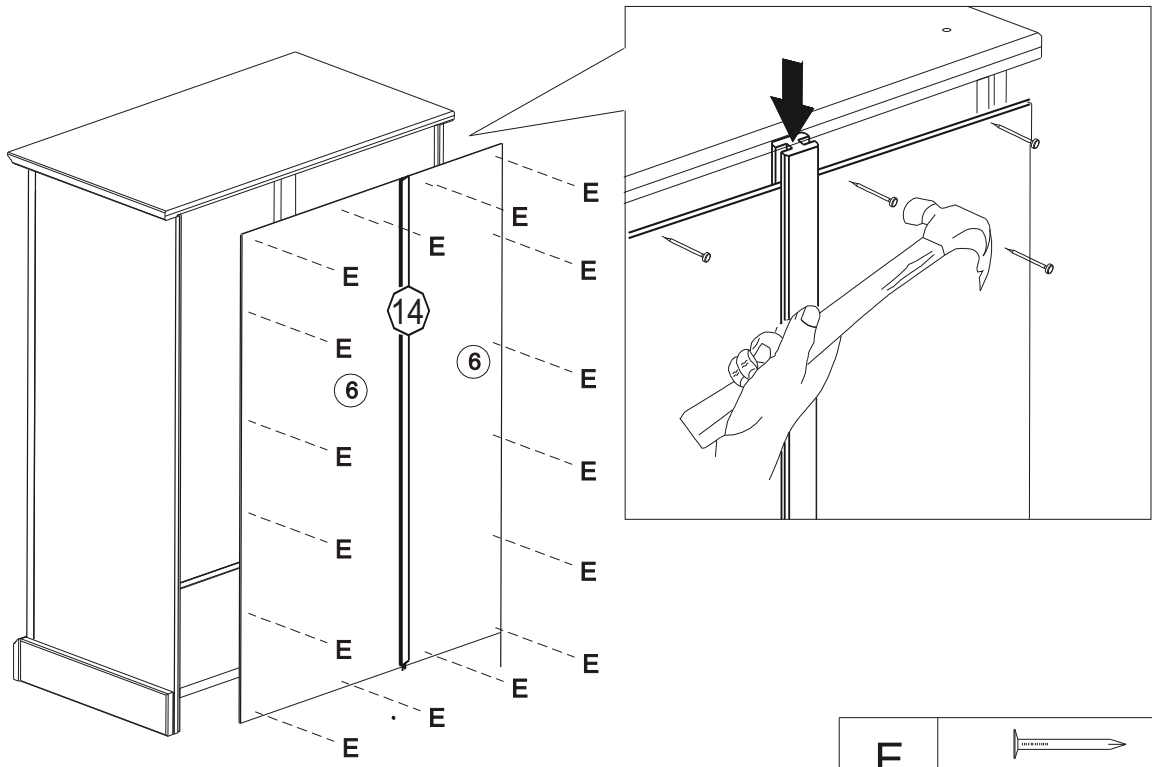
B			08
		3,5x30	

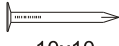
05



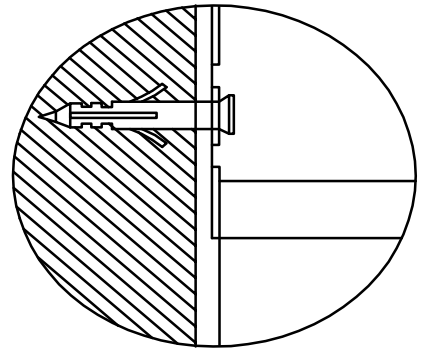
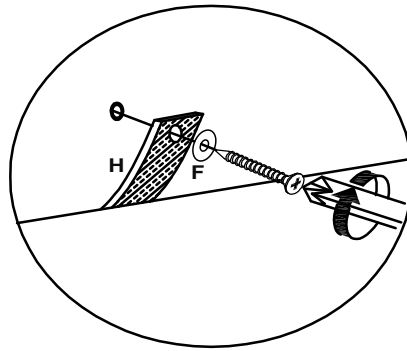
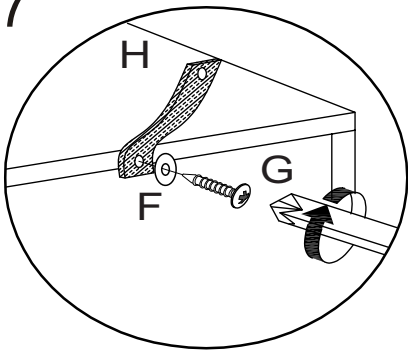
B			07
		3,5x30	

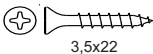
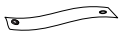


06



E		20
	10x10	

07



G		01
	3,5x22	
H		01
F		02
D		04

