
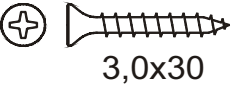
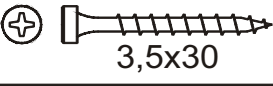
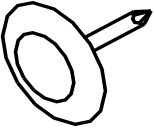
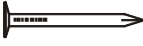
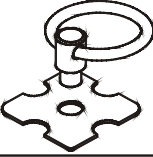
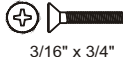
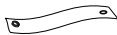
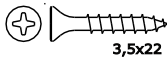

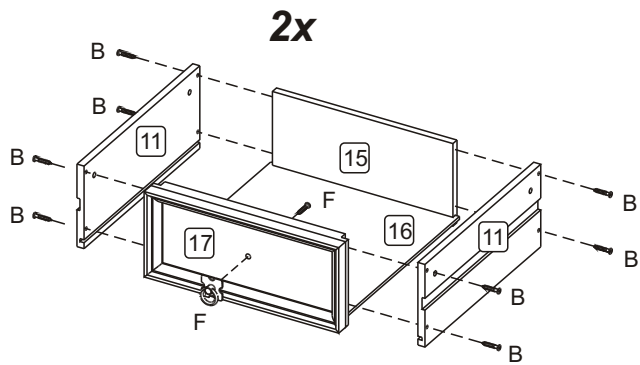


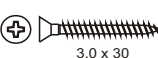


A	 8 x 25	42
B	 3,0x30	36
C	 3,5x30	42
D		06

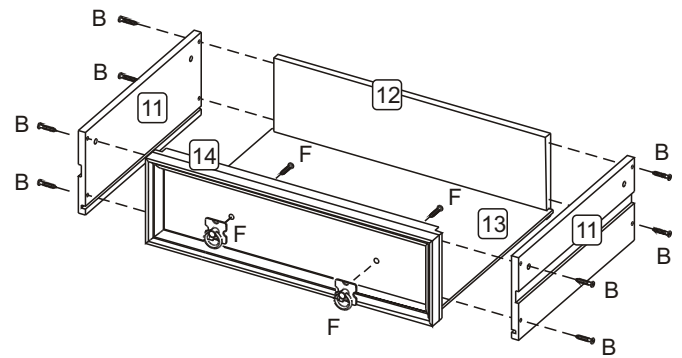
E	 10 x 10	40
F	  3/16" x 3/4"	06
G		01
H	 3,5x22 CC	01
I		02



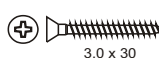
01



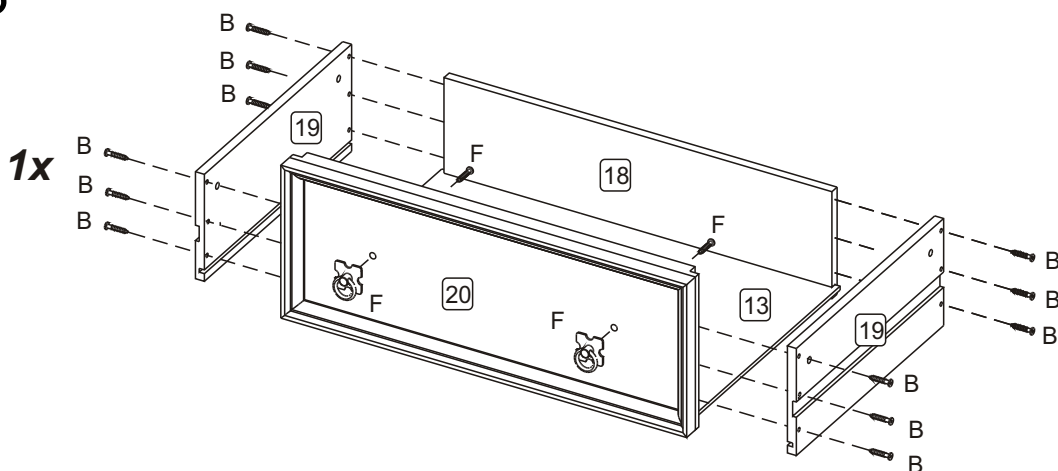
F	  Black	02
B	 3,0 x 30	16



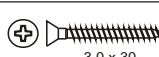
02



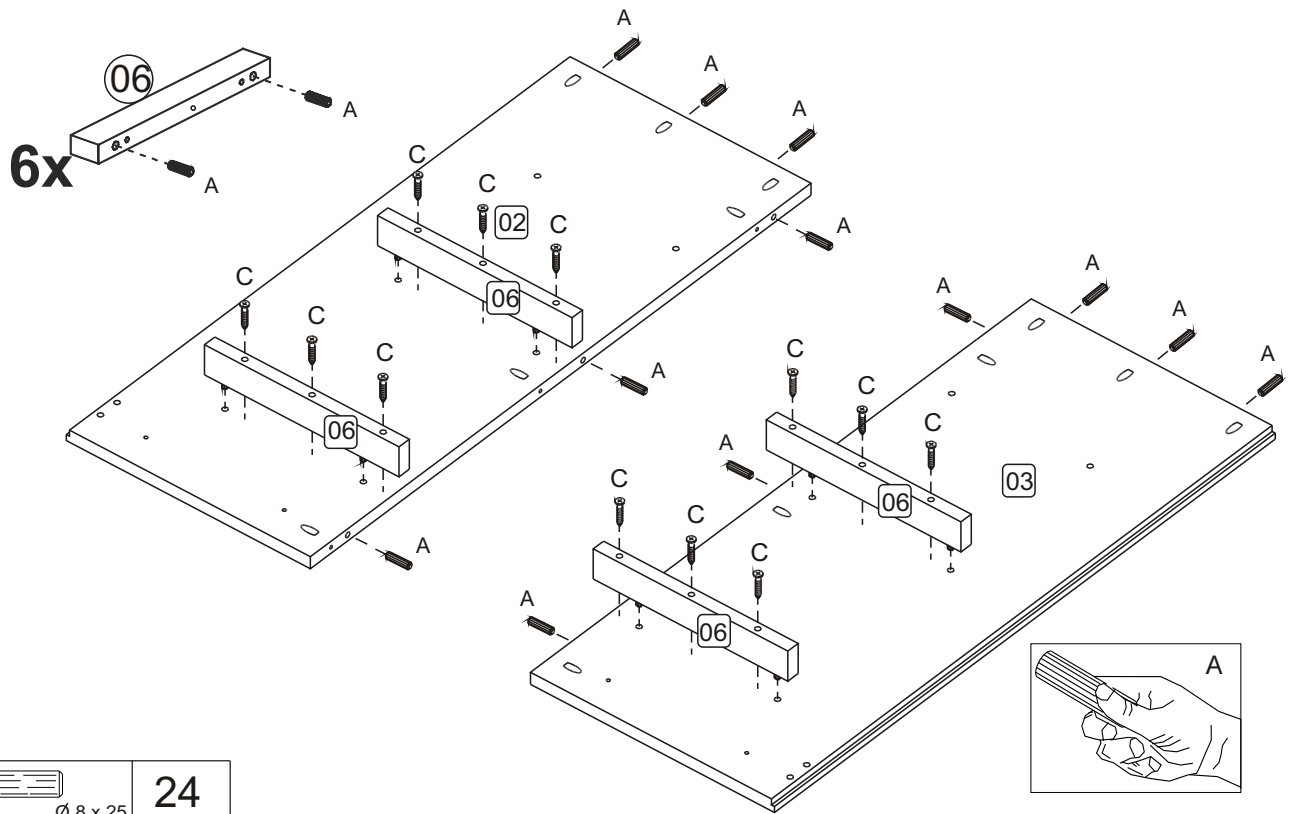
F	  Black	02
B	 3,0 x 30	08

03



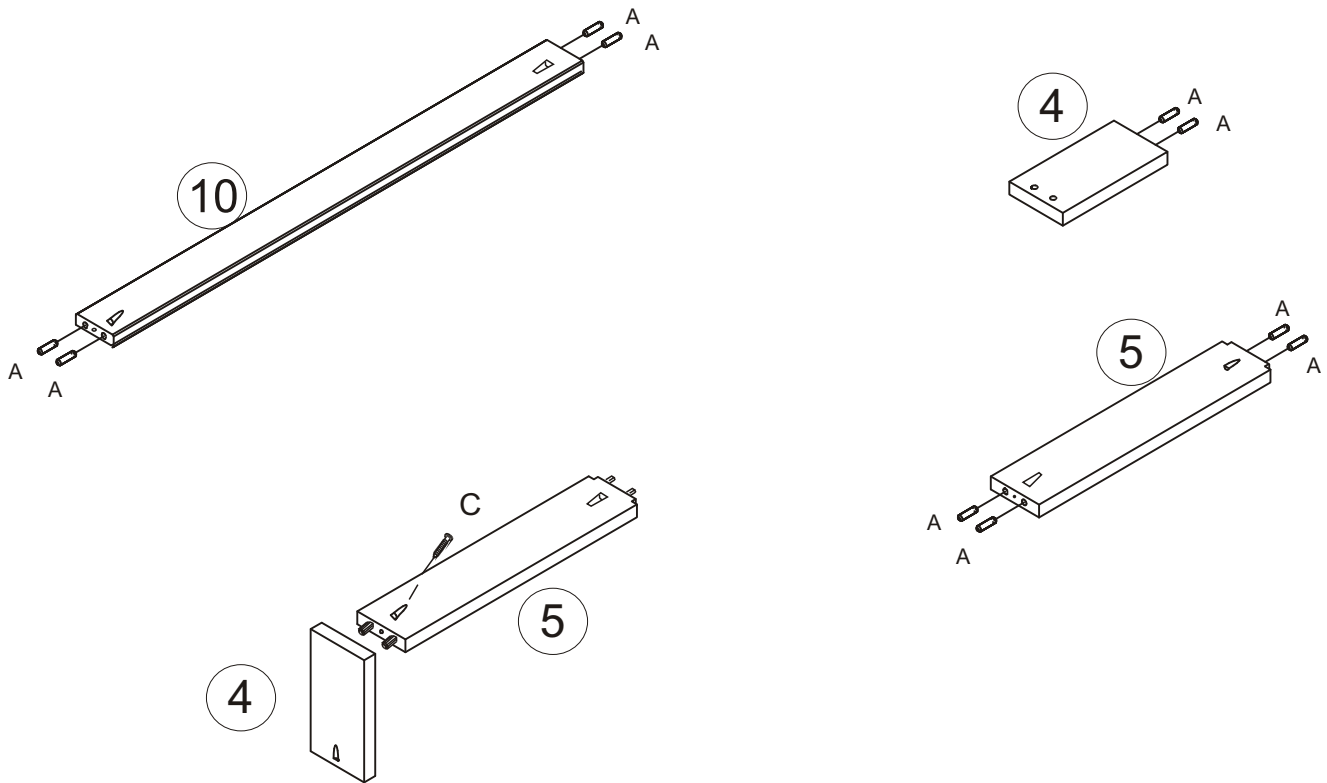
F	  Black	02
B	 3,0 x 30	12

04



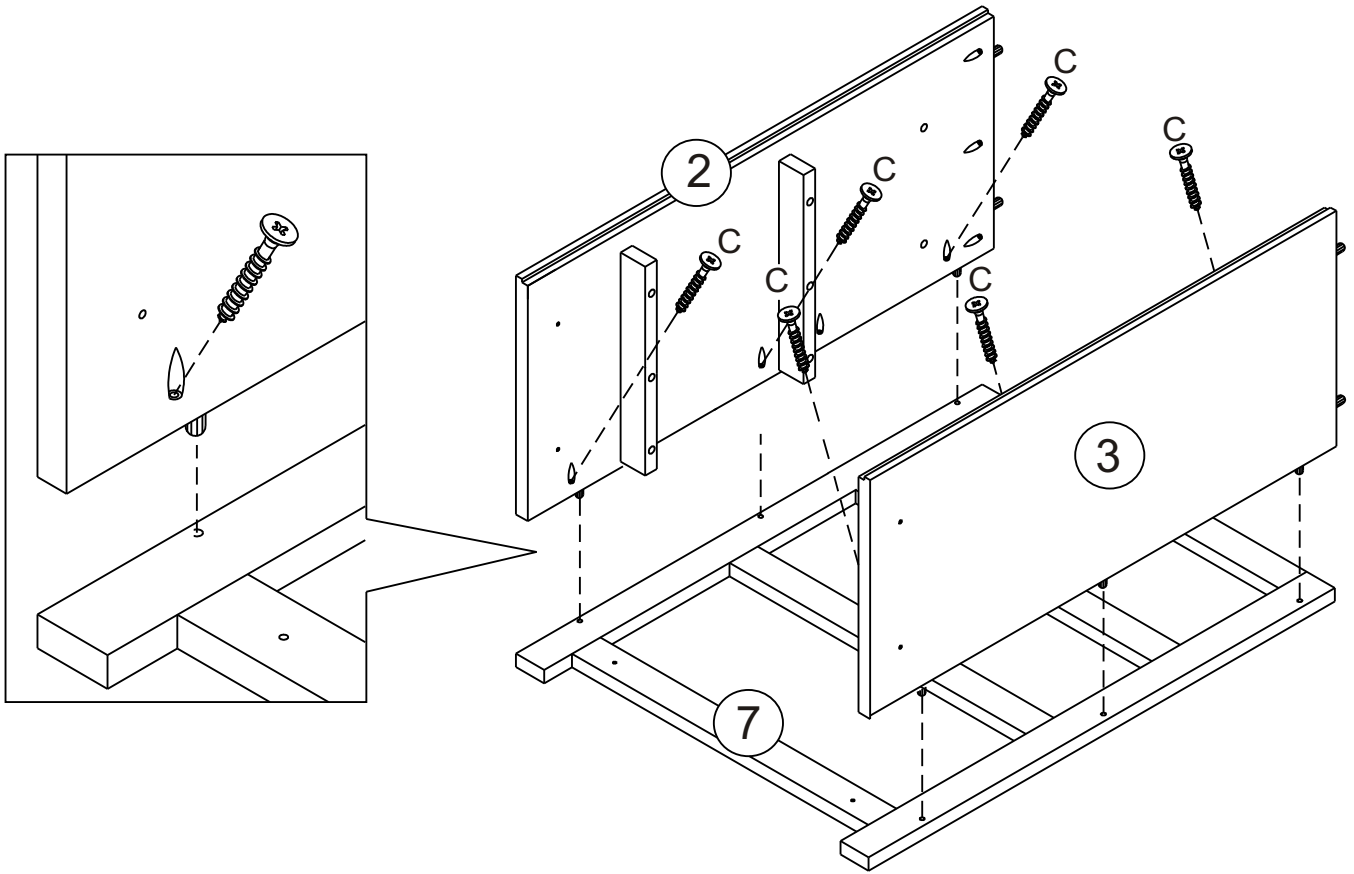
A		24
C		12

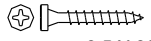
05



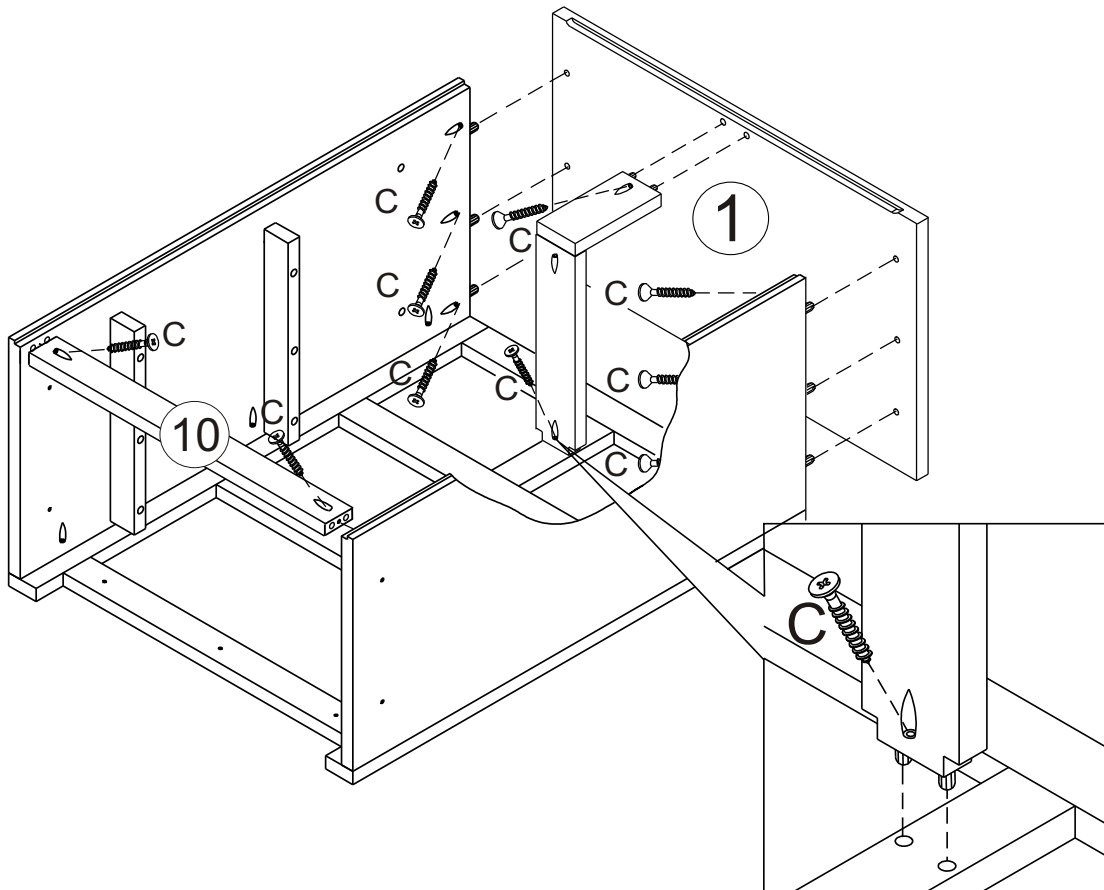
C		01
A		10

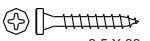
06



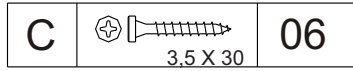
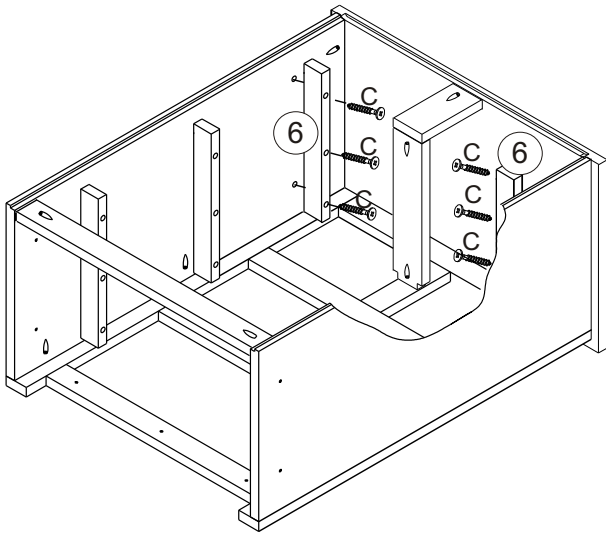
C		06
3,5 X 30		

07

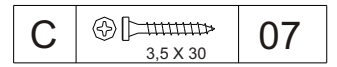
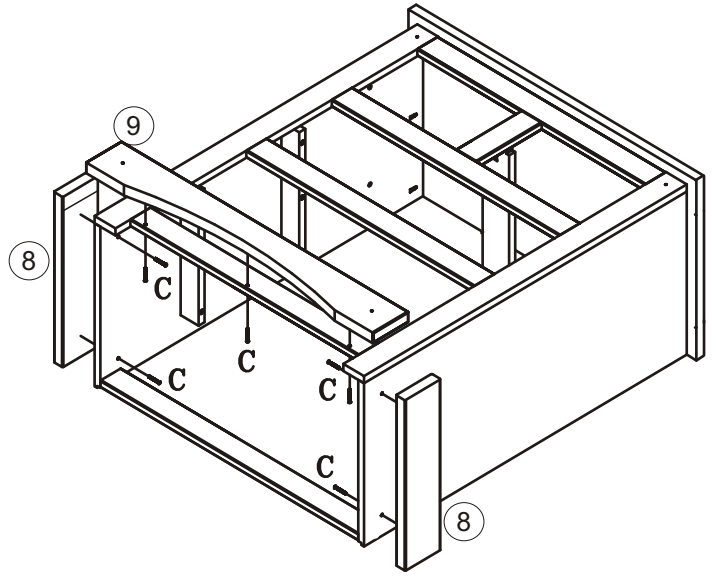


C		10
3,5 X 30		

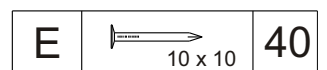
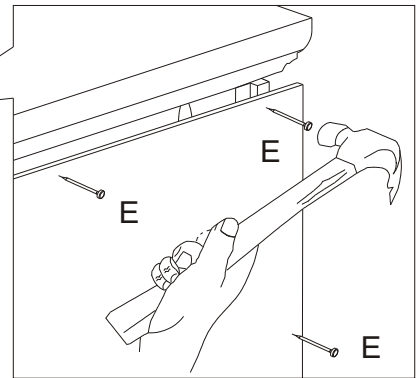
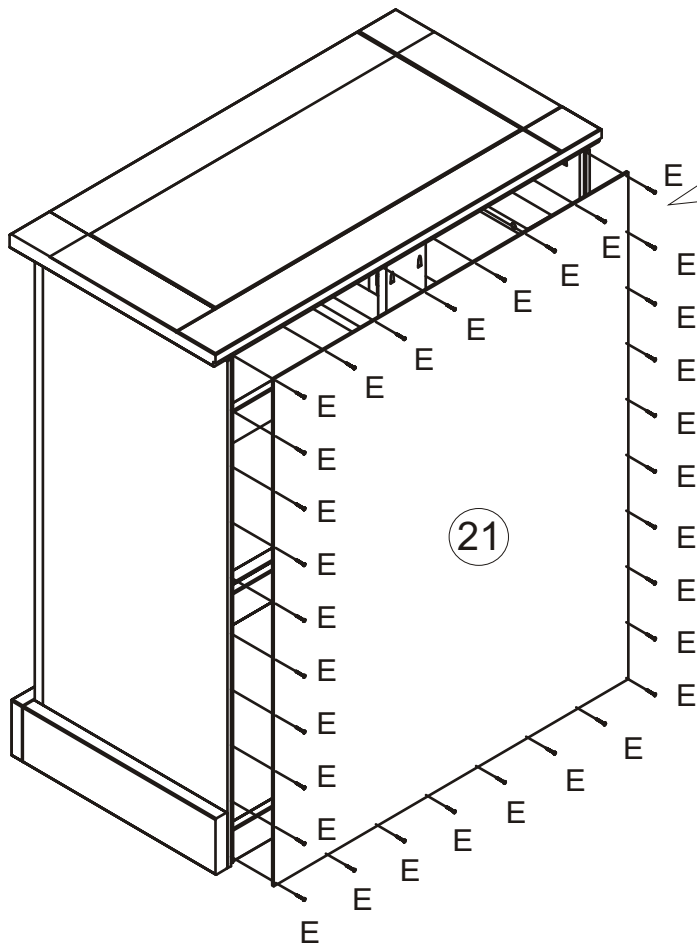
08

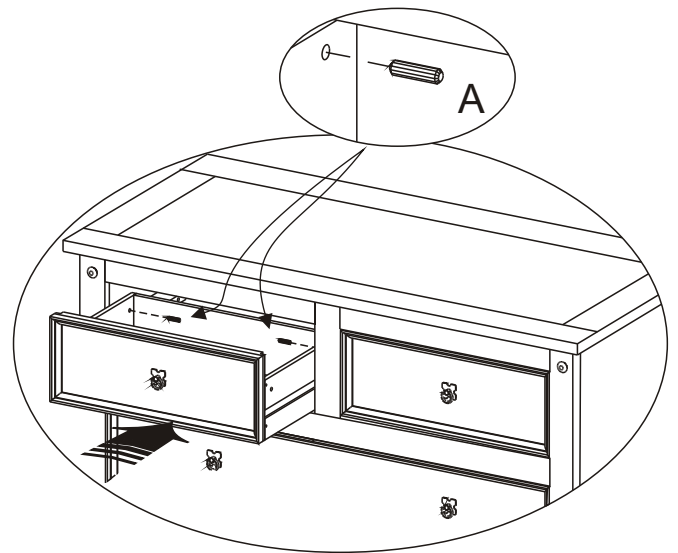
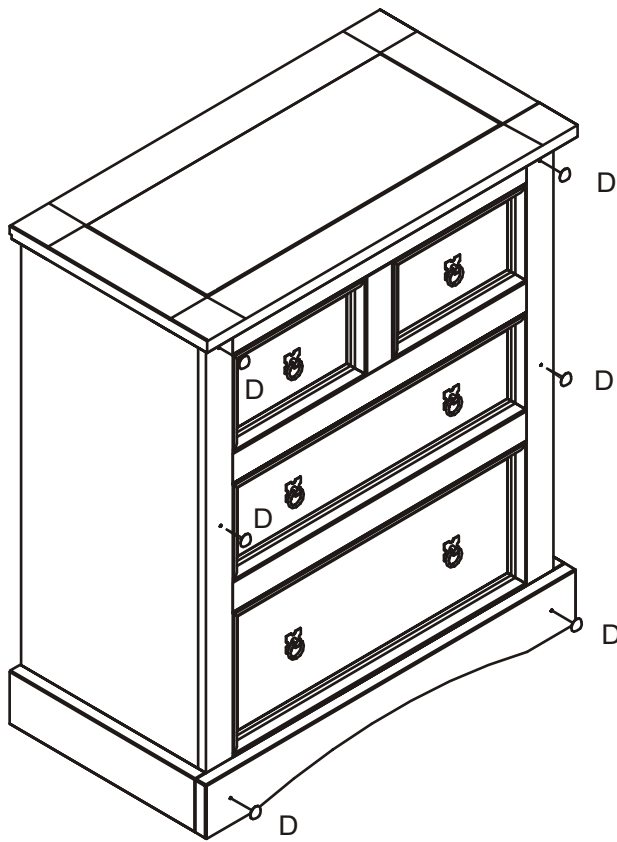
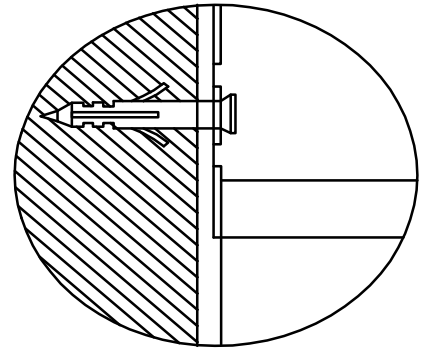
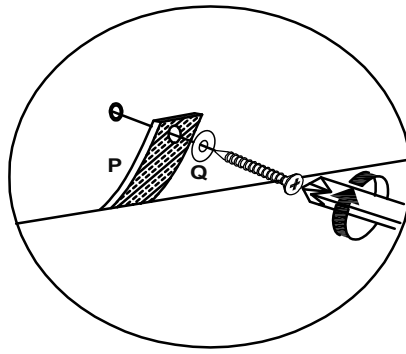
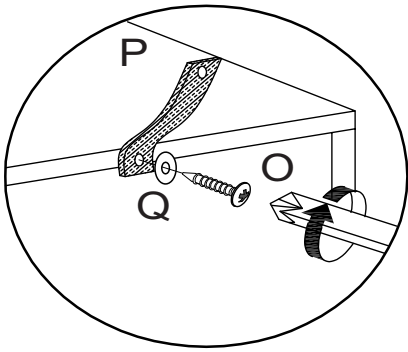


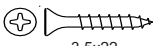
09





10






G	 3,5x22	01
---	---	----

H		01
---	---	----

I		02
---	---	----

D		06
---	---	----

A	 Ø 8 x 25	08
---	---	----