

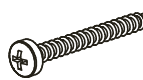
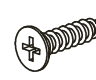

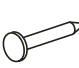
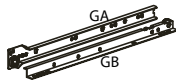
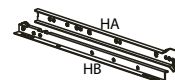

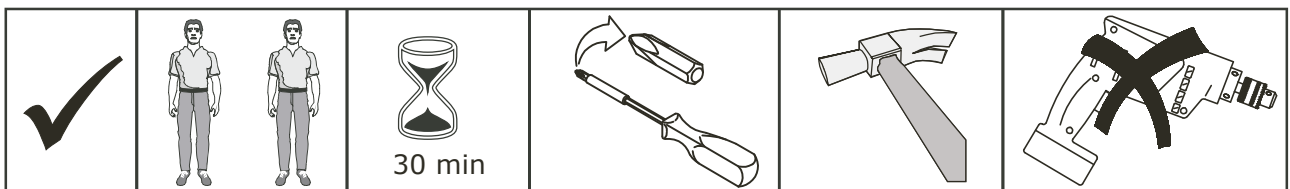
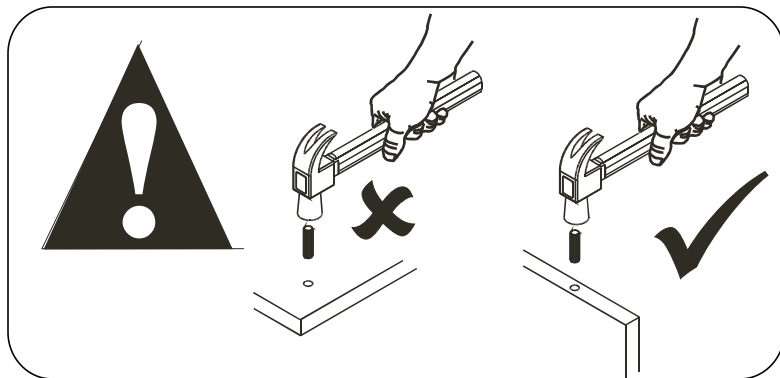
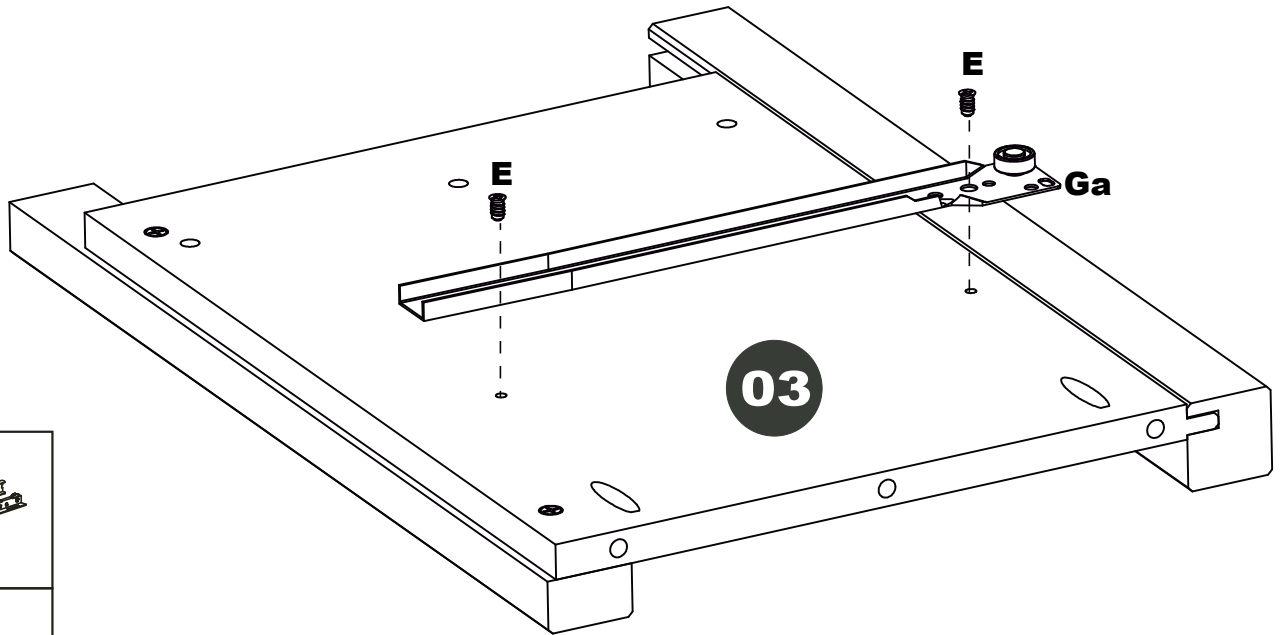
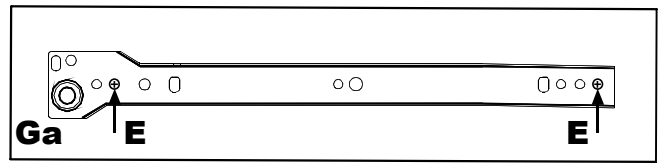


A=20  8,0 x 30mm	B=16  3,5 x 30mm	C=05  4,0 x 40mm	D=06  3,0x 16mm	E=04  6,0x 10mm
F=11 	G=01 	H=01 	I=01 	



1

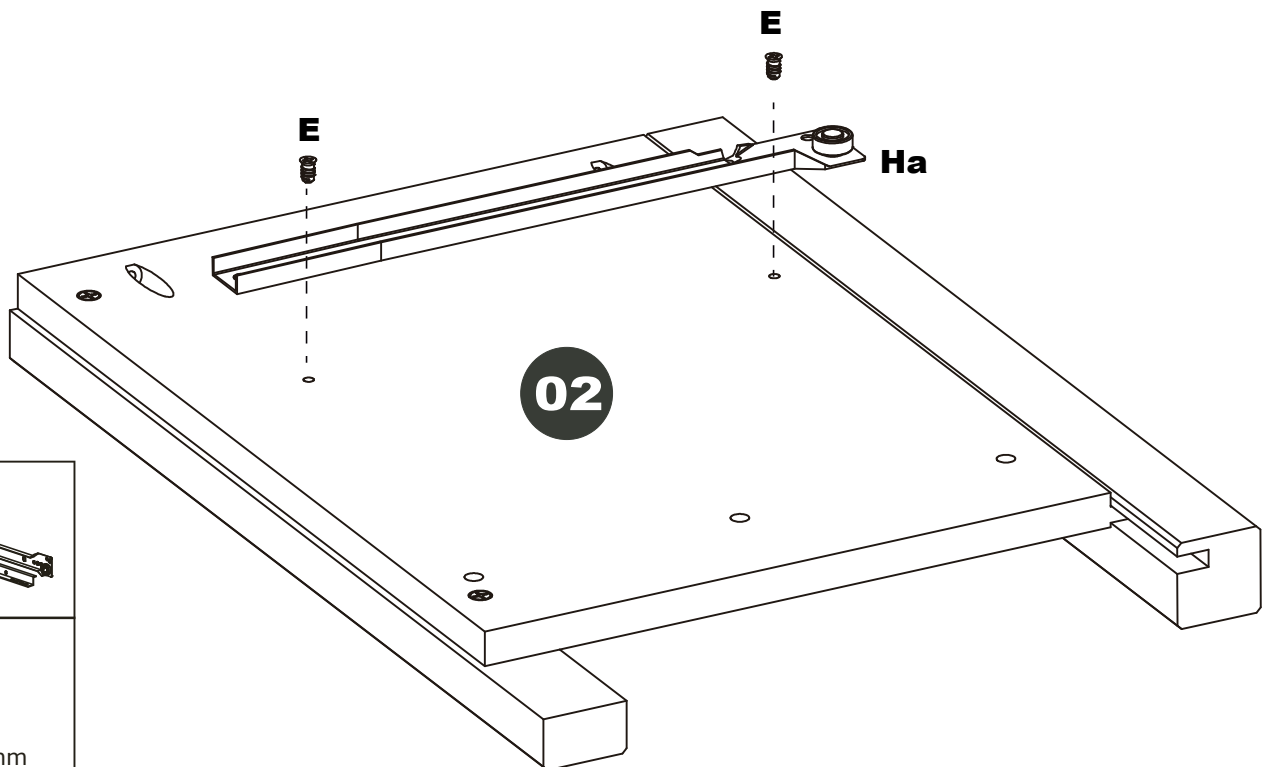
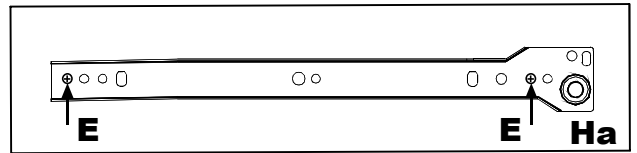


G=01

E=02

6,0x 10mm

2

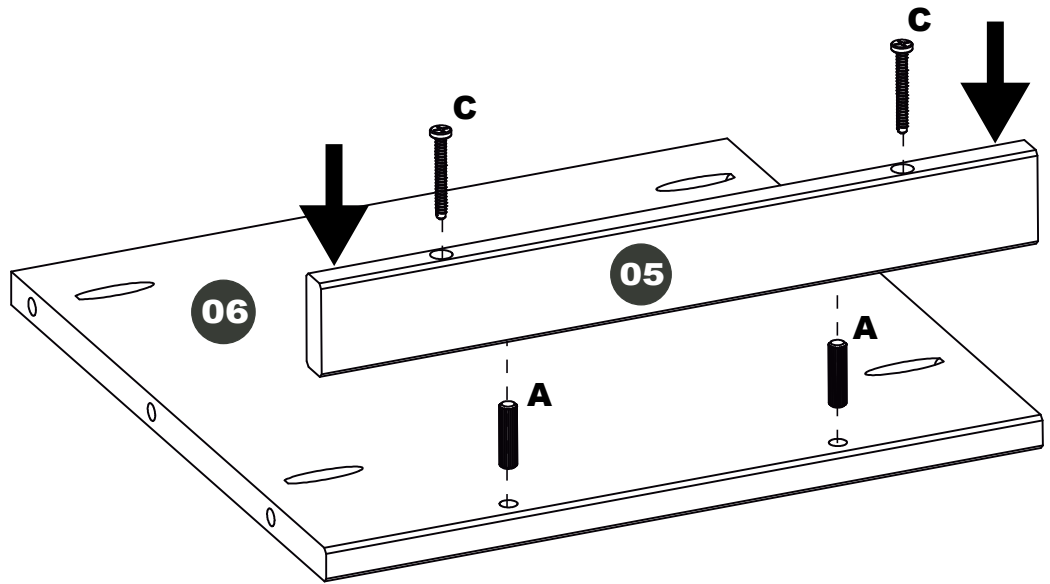
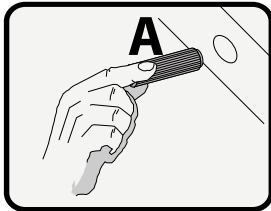
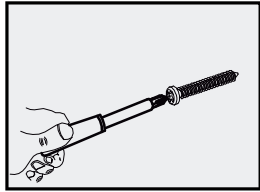


H=01

E=02

6,0x 10mm

3

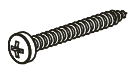


A=02



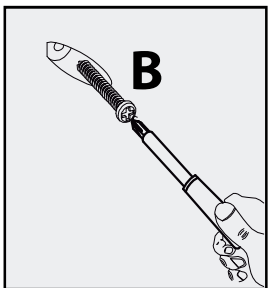
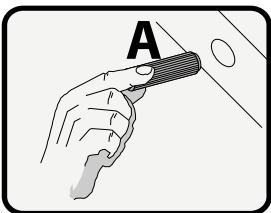
8,0 x 30mm

C=02



4,0 x 40mm

4

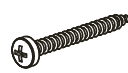


A=03

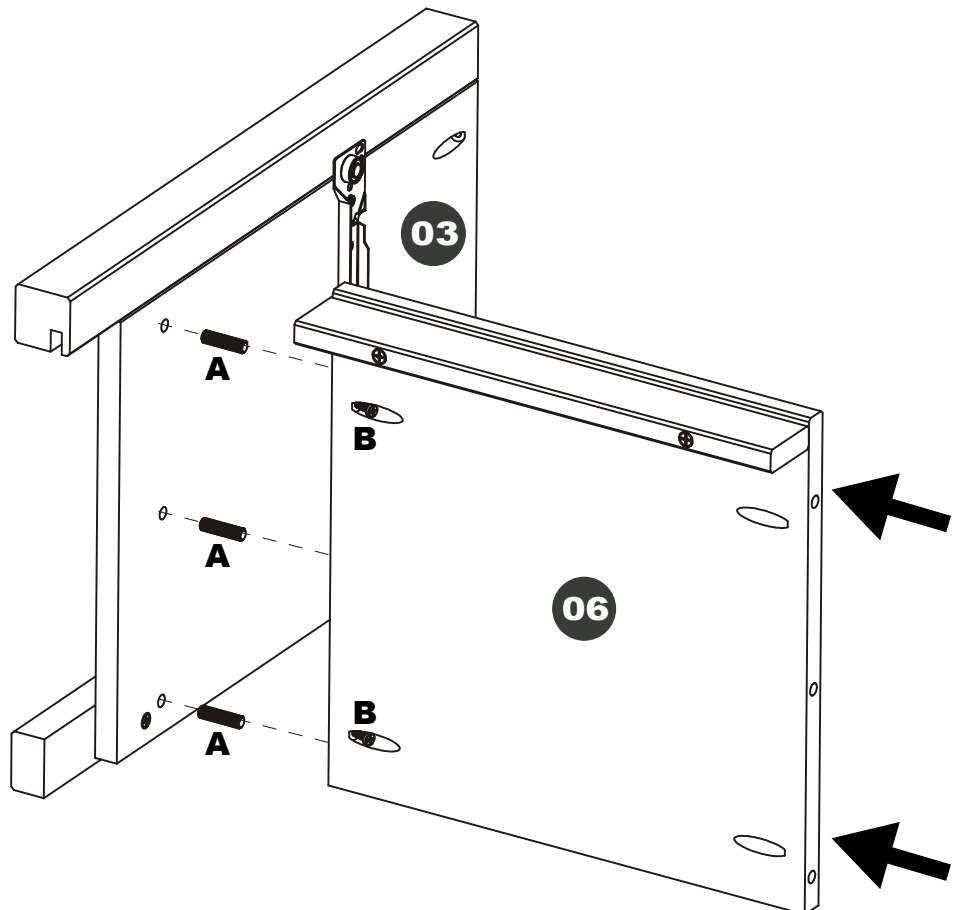


8,0 x 30mm

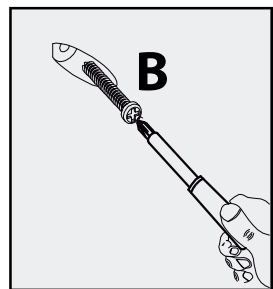
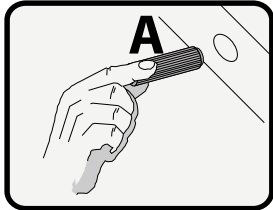
B=02



3,5 x 30mm



5



A=03

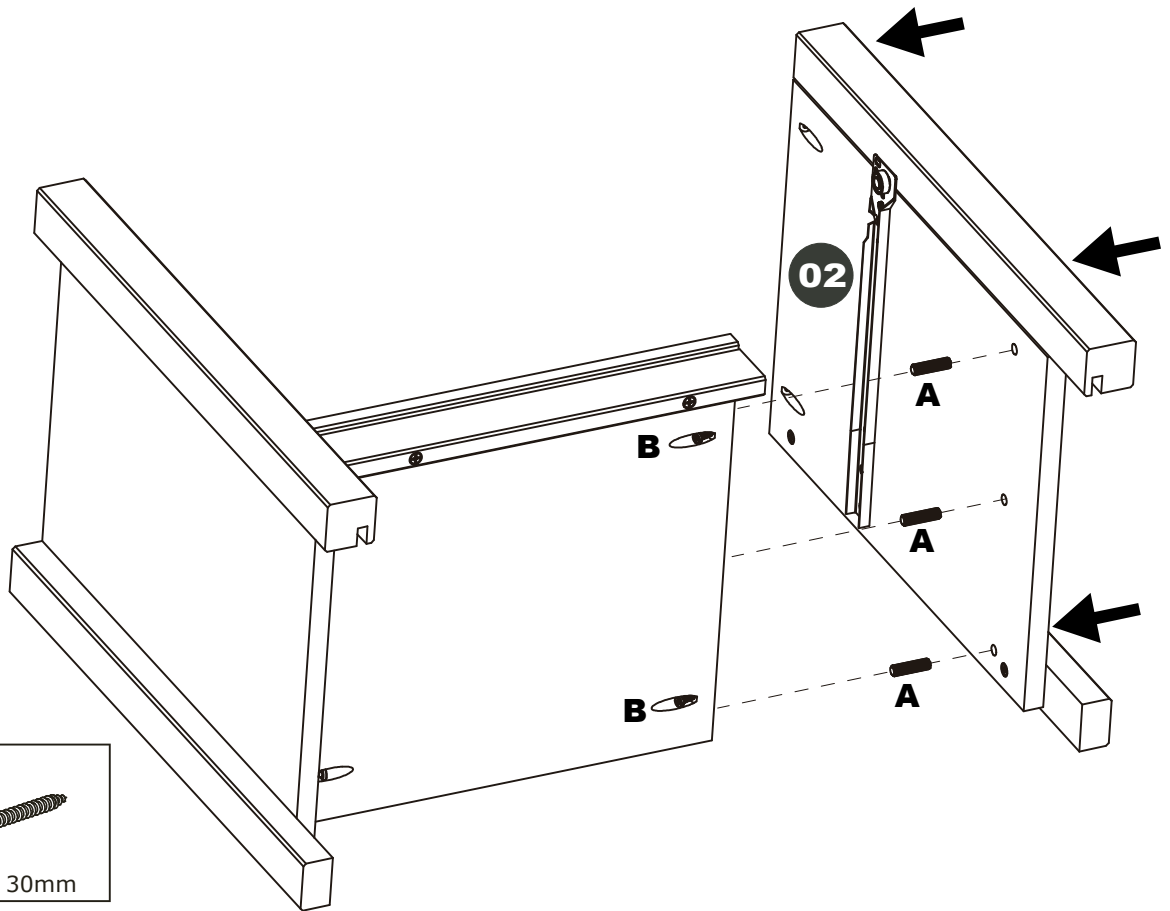


8,0 x 30mm

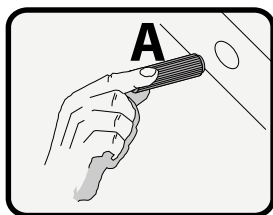
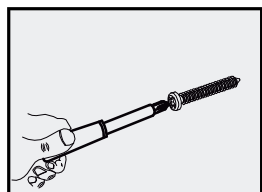
B=02



3,5 x 30mm



6

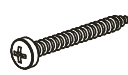


A=02

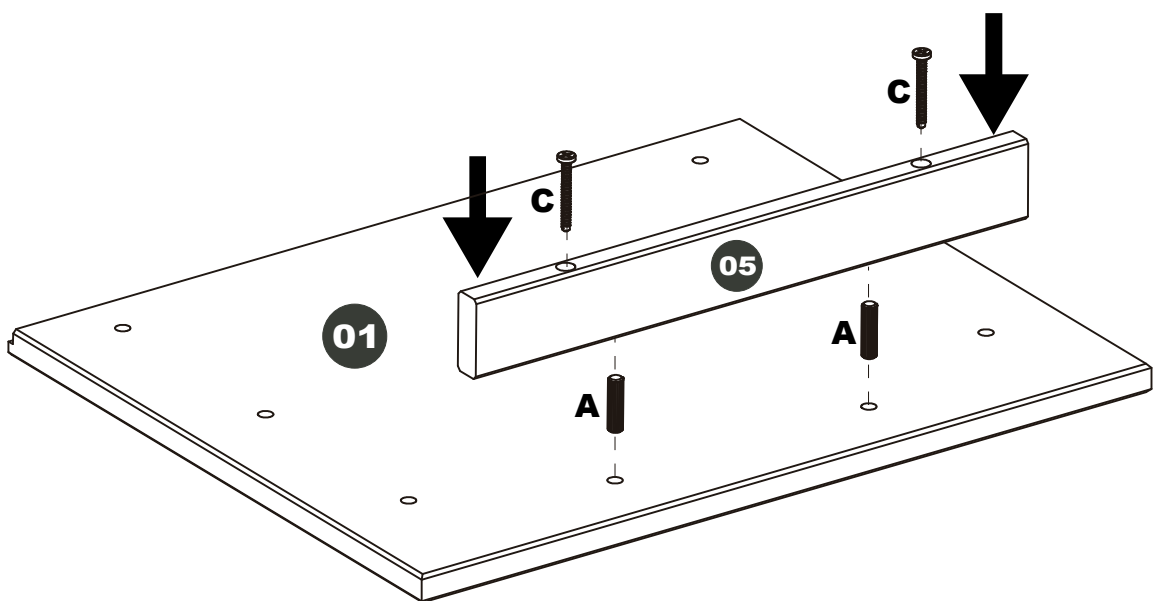


8,0 x 30mm

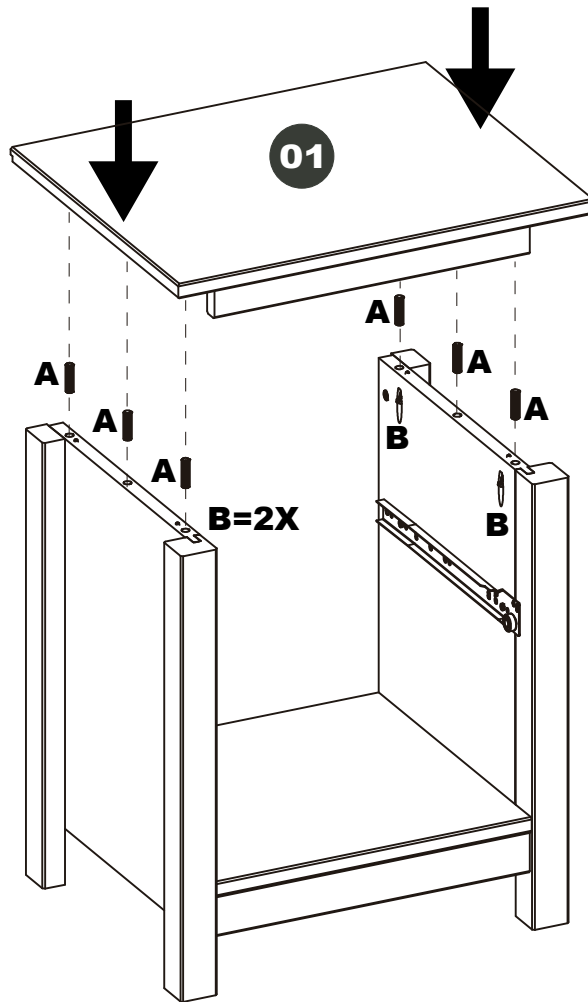
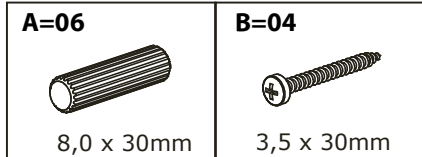
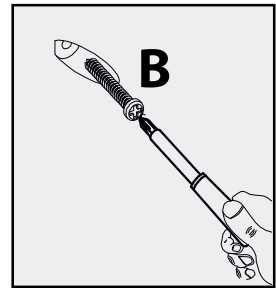
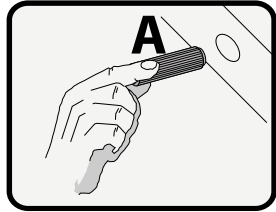
C=02



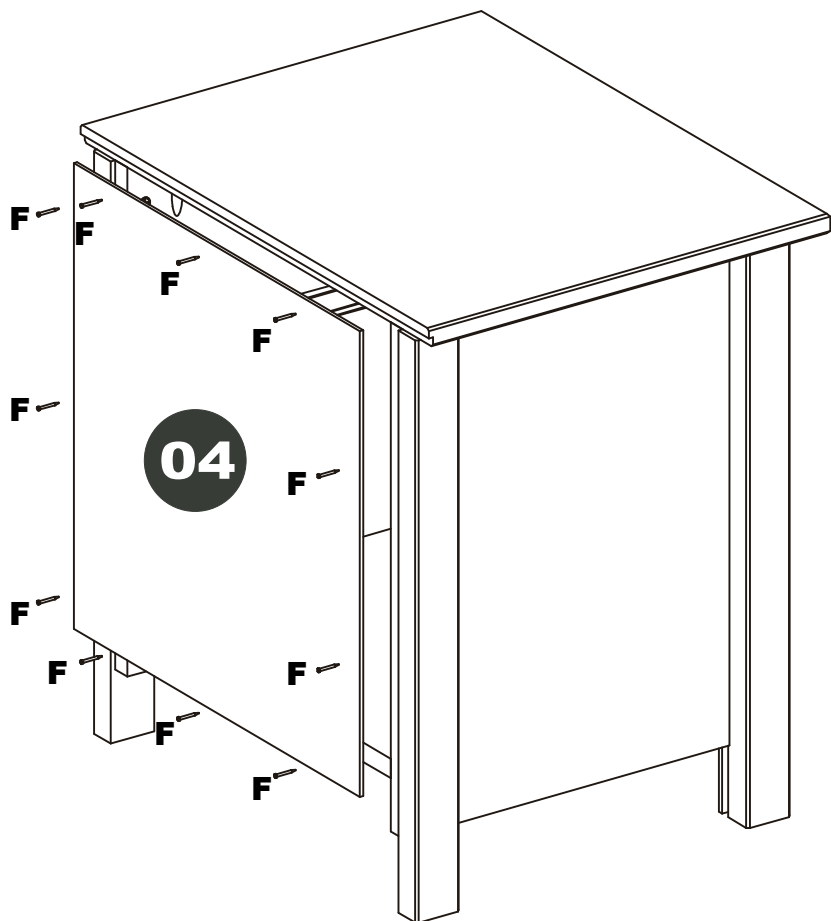
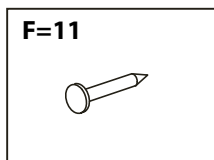
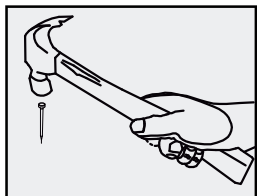
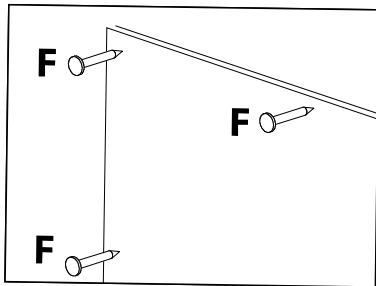
4,0 x 40mm



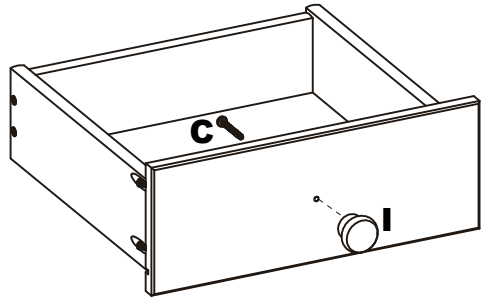
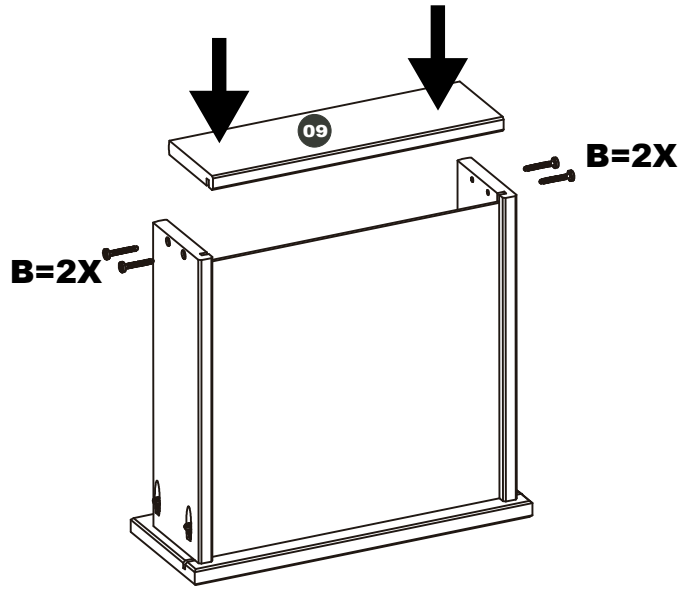
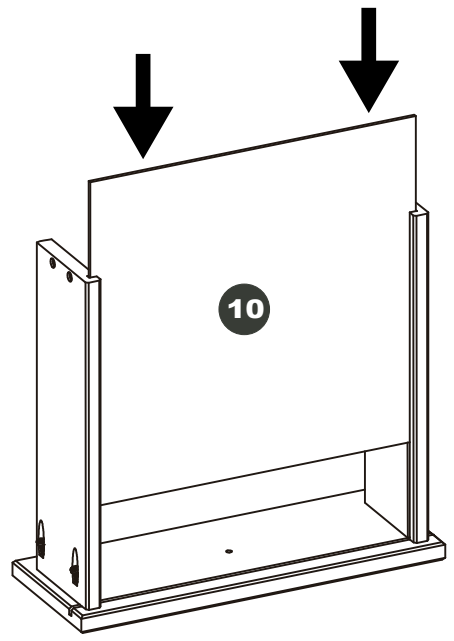
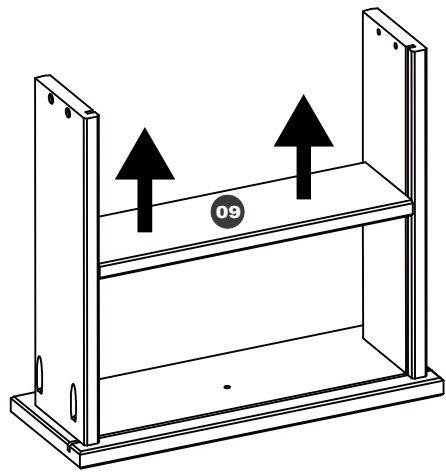
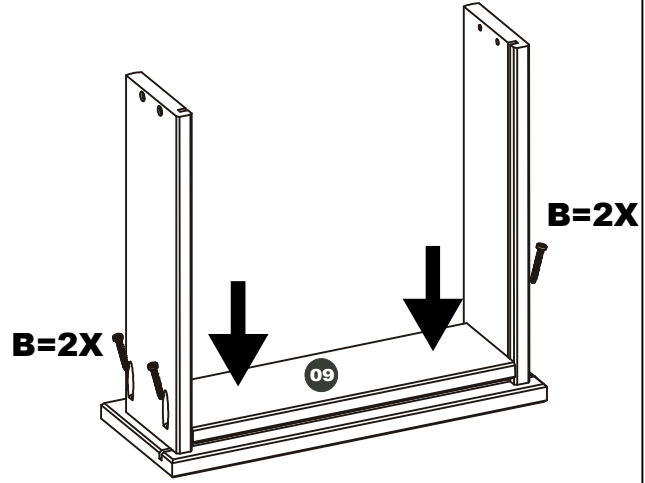
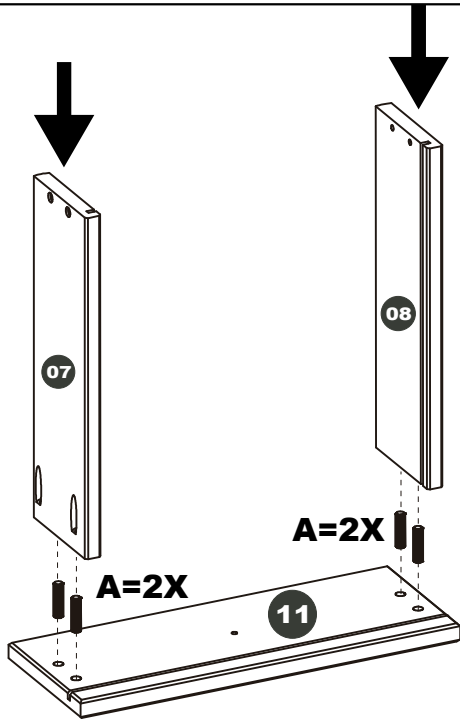
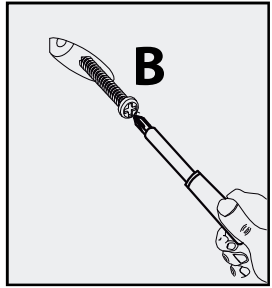
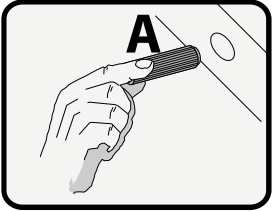
7



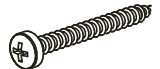



8

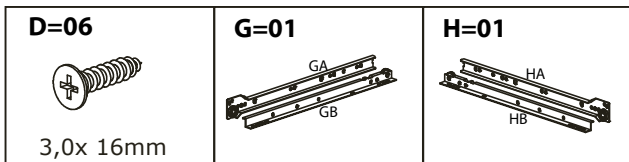
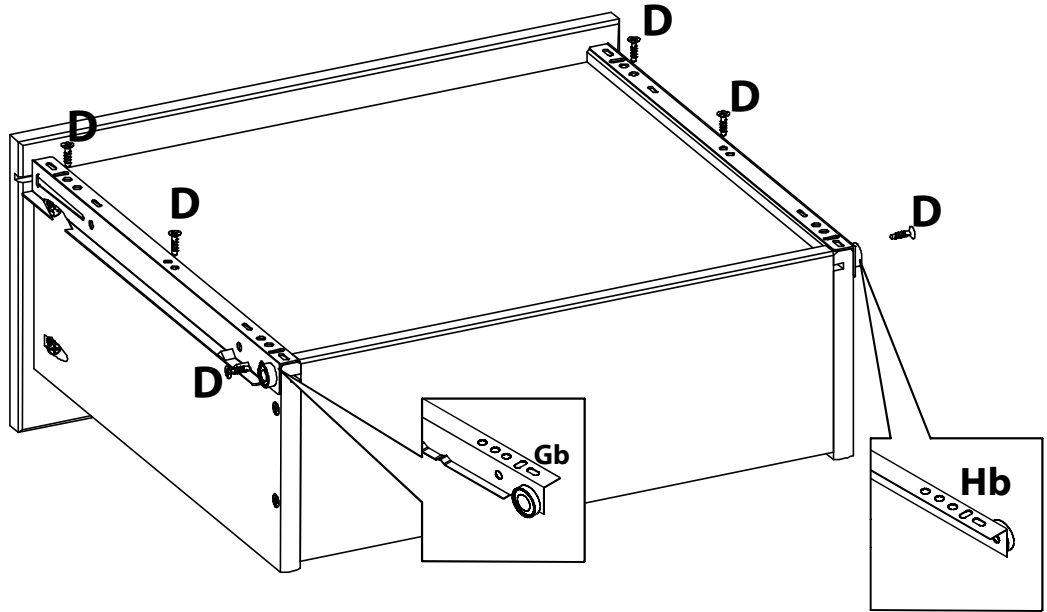
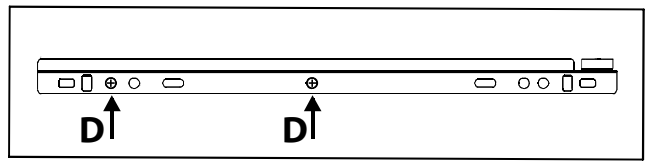


9



A=04  8,0 x 30mm	B=08  3,5 x 30mm	C=01  4,0 x 40mm	I=01 
--	--	--	--

10



11

