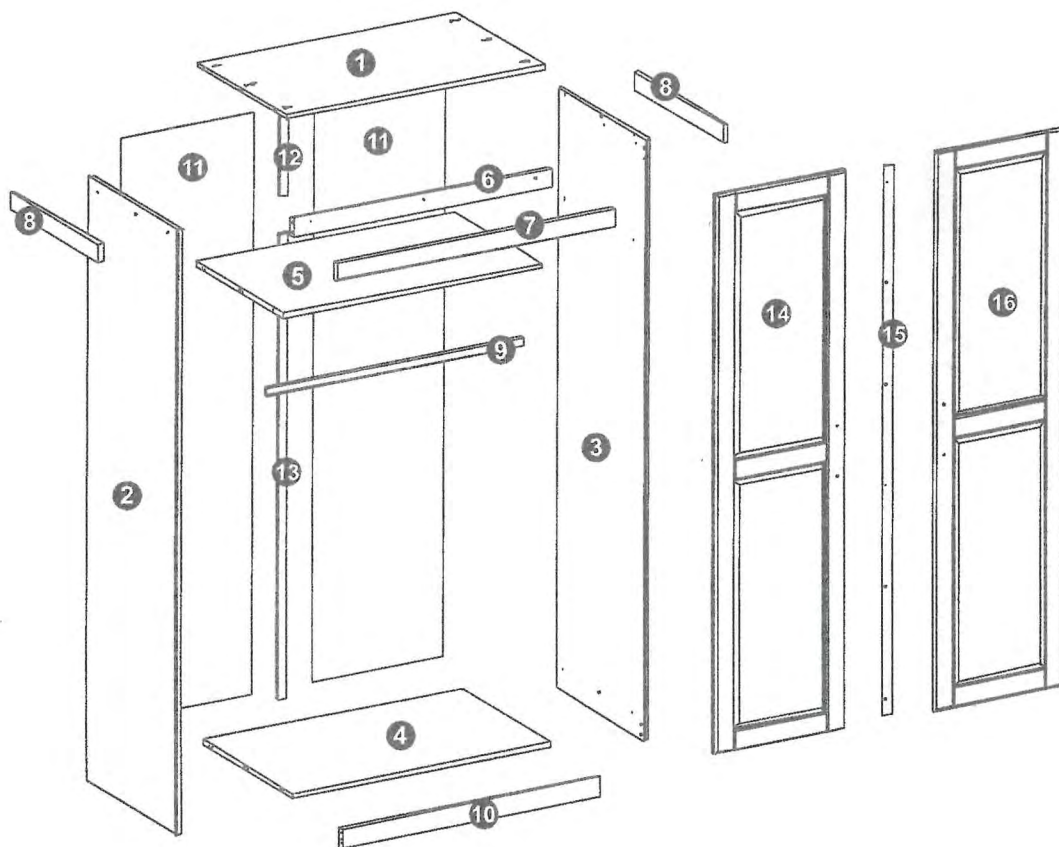
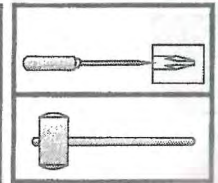
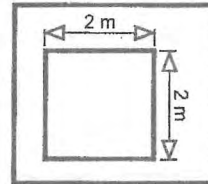
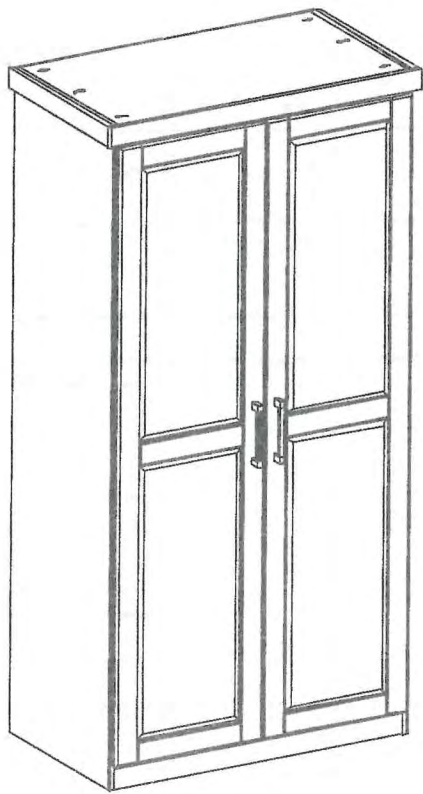








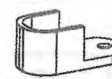
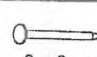



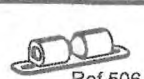
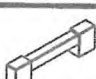

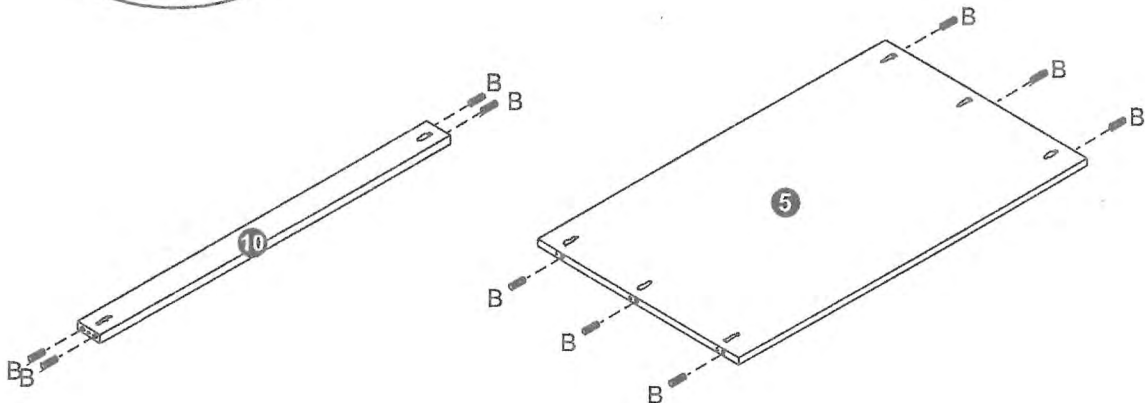
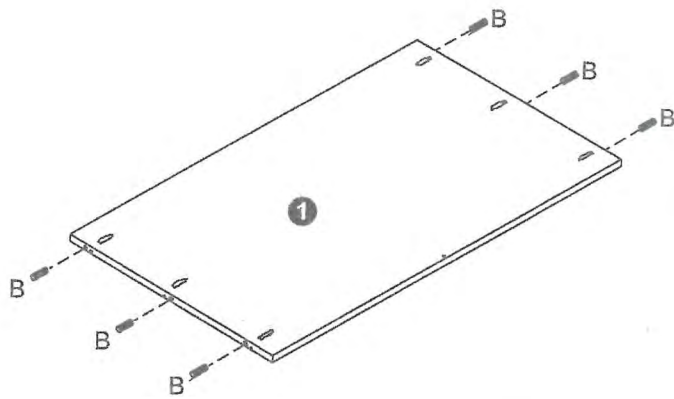
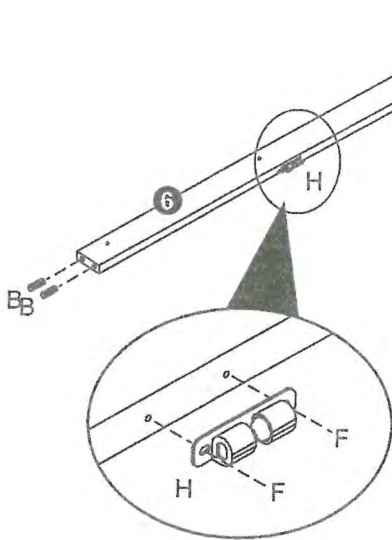
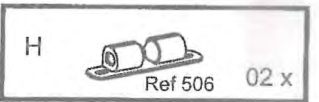
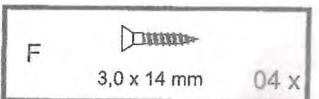
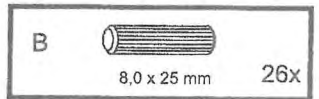
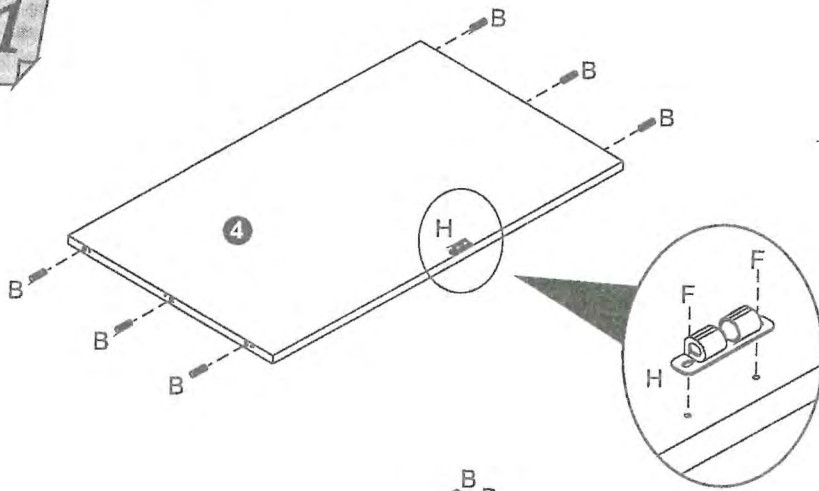


8880





A  4,0 x 30 mm 33x	E  3,5 x 14 mm 24 x	I  Ø26 06 x	M  01 x
B  8,0 x 25 mm 26x	F  3,0 x 14 mm 20 x	J  06 x	N  01 x
C  02 x	G  8 x 8 mm 35 x	K  02 x	O  02 x
D  4,0 x 30 mm 01 x	H  Ref 506 02 x	L  180mm 02 x	P  3,0 x 16 mm 01 x

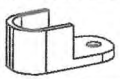
1




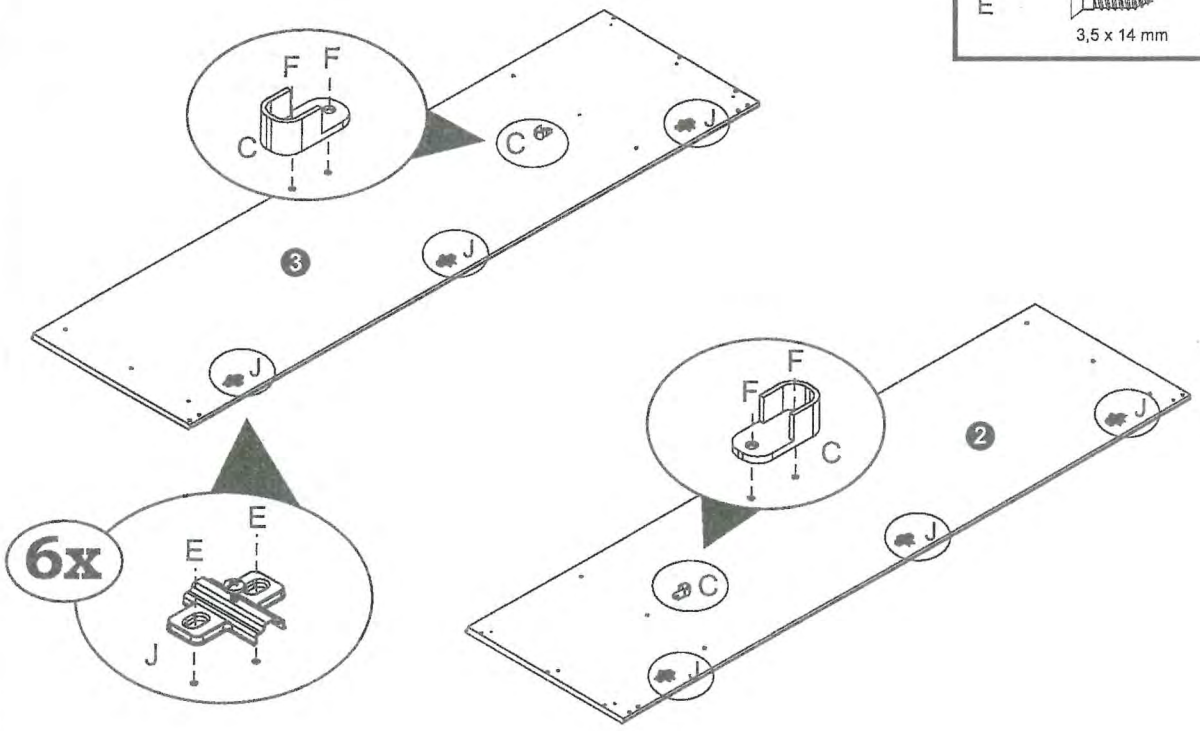
2

F  3,0 x 14 mm 04 x

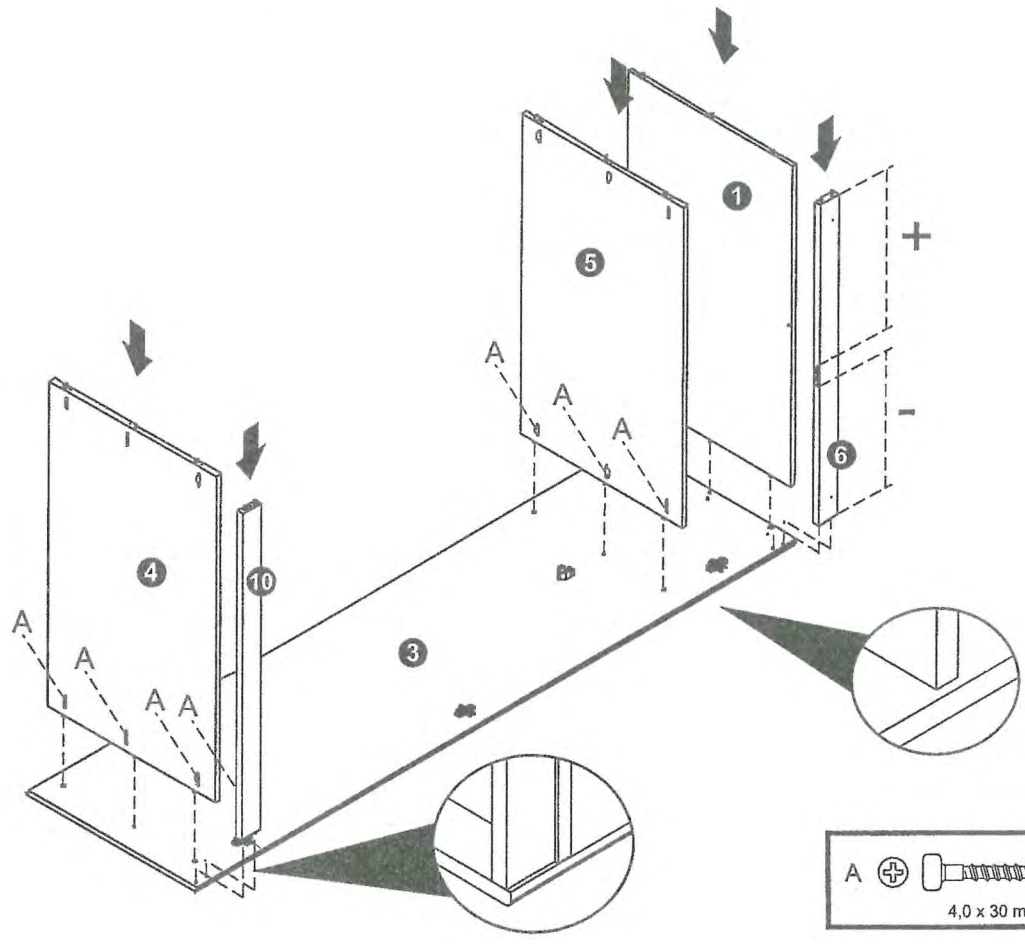
J  06 x


C  02 x

E  3,5 x 14 mm 12 x

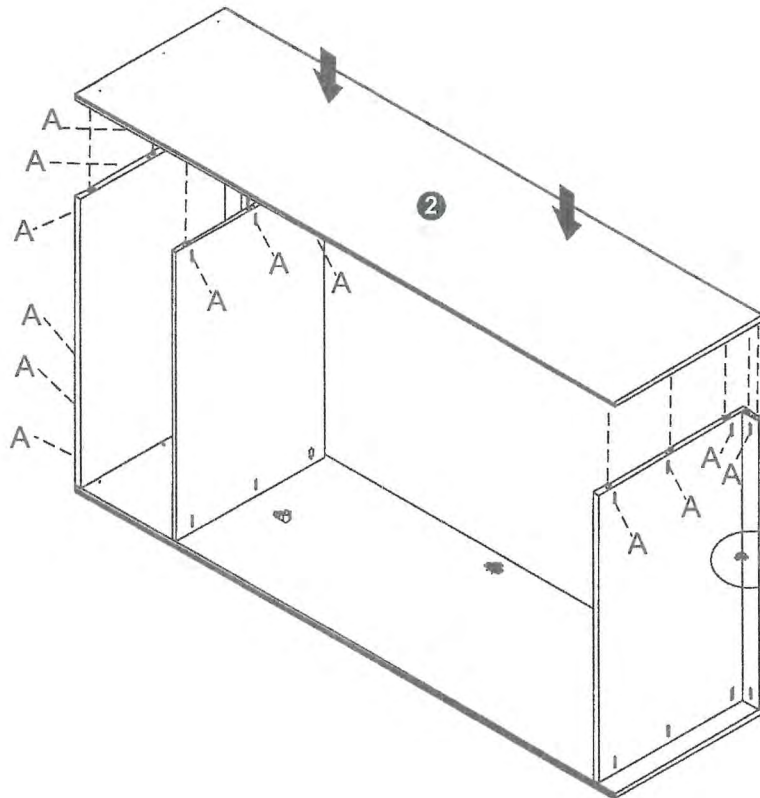



3




A  4,0 x 30 mm 07 x

4

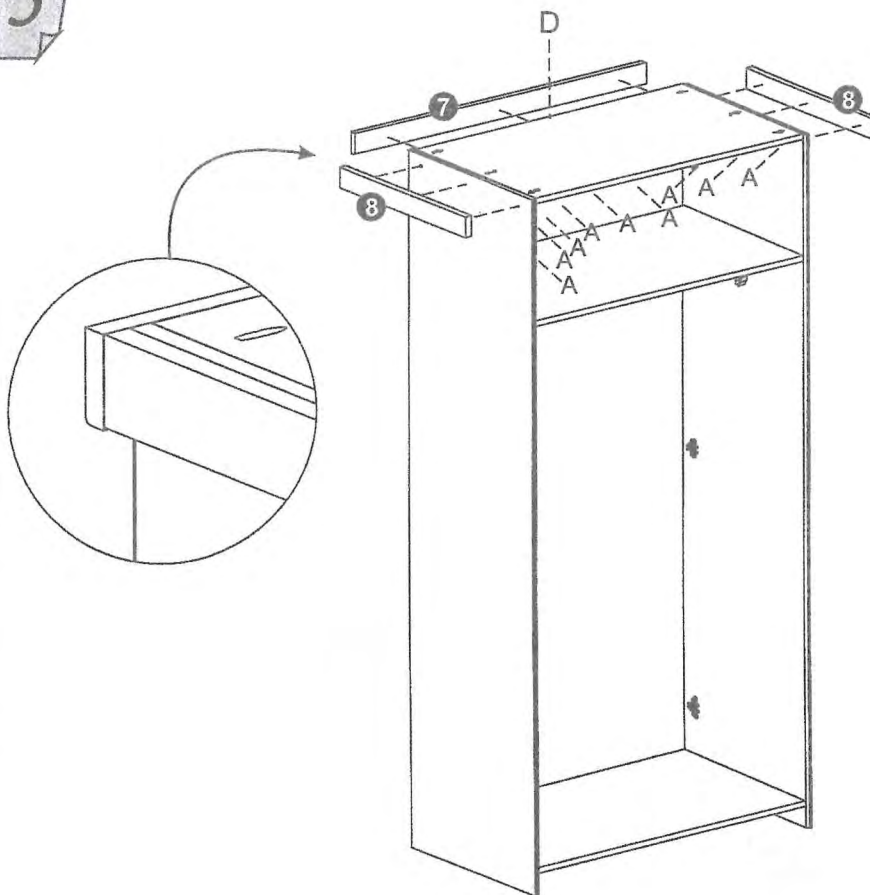



A  4,0 x 30 mm 13 x

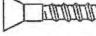
F  3,0 x 14 mm 02 x

M  01 x

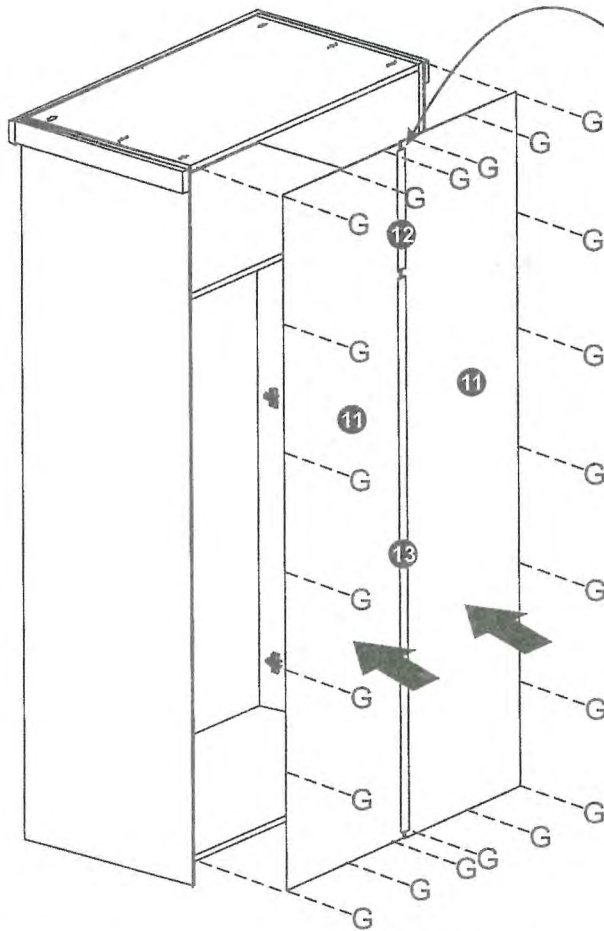
5

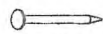


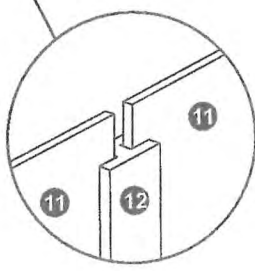
A  4,0 x 30 mm 09 x

D  4,0 x 30 mm 01 x


6



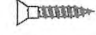


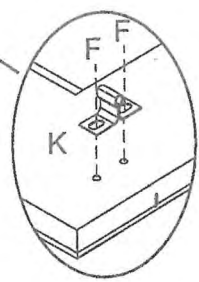
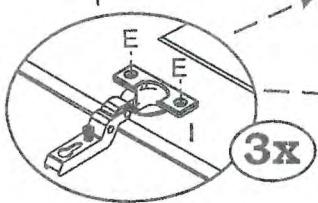
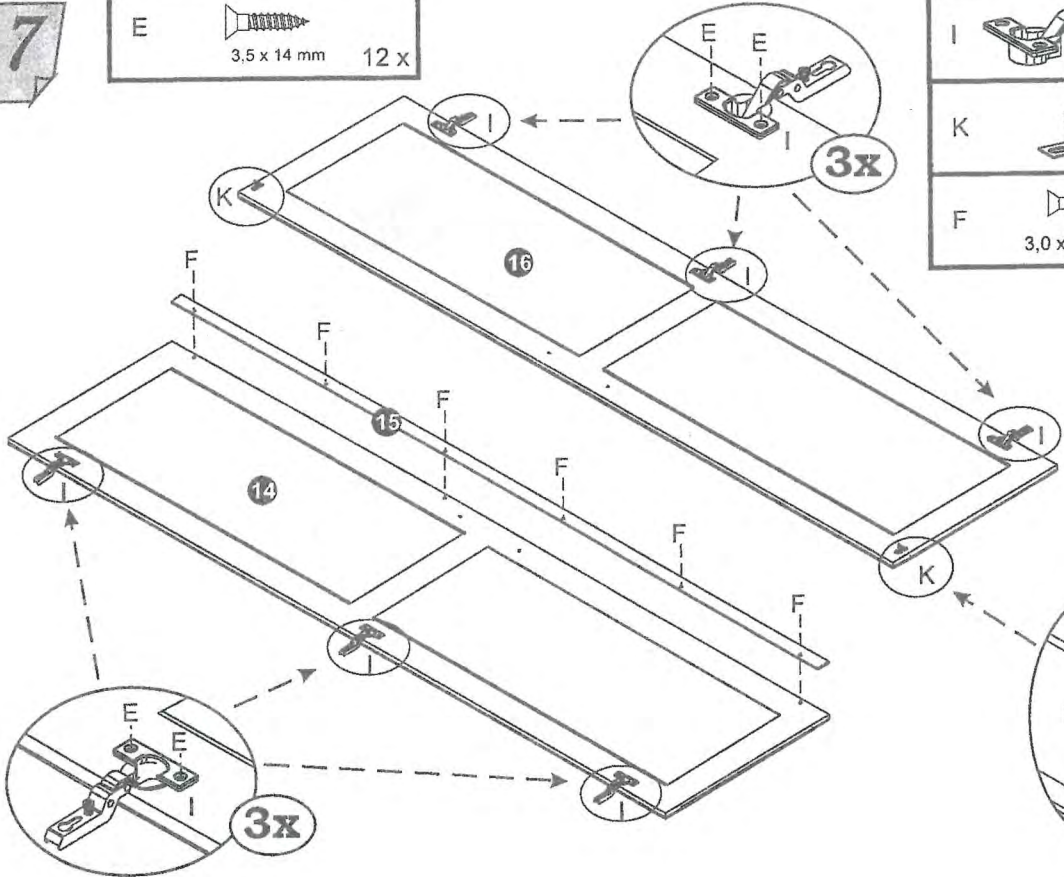
G  8 x 8 mm 35 x



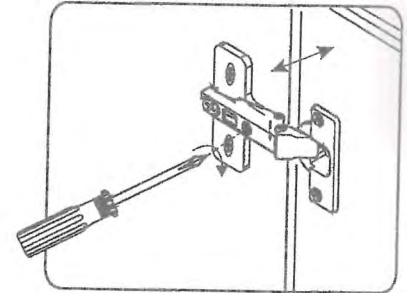
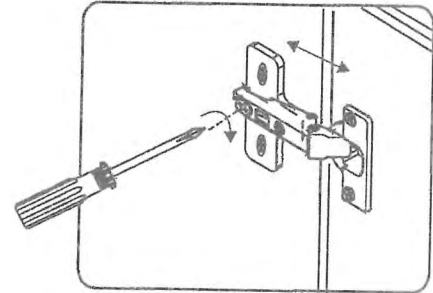
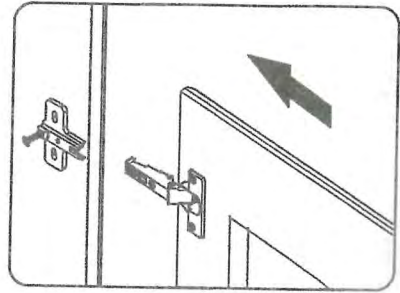
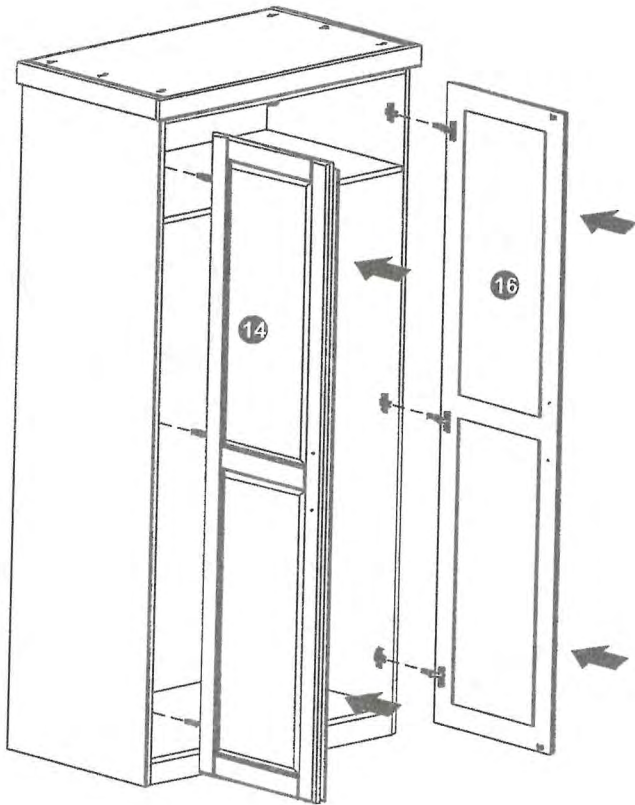
7

E  3,5 x 14 mm 12 x

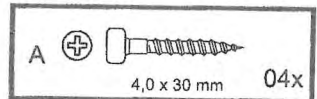
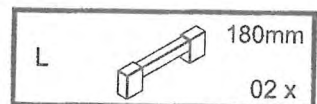
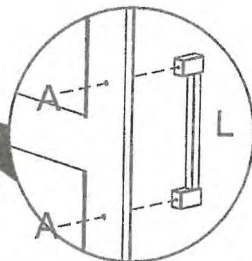
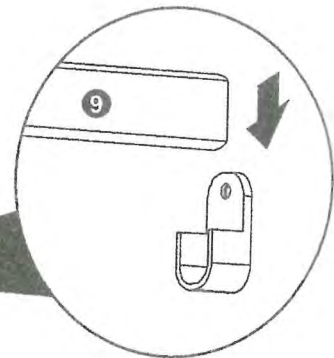
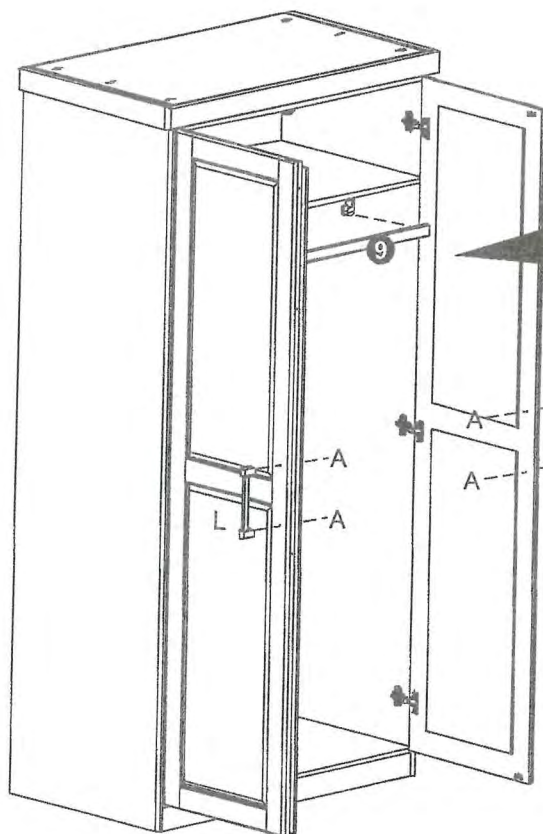
I  Ø26 06 x
K  02 x
F  3,0 x 14 mm 10 x

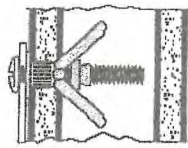
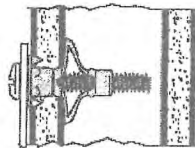
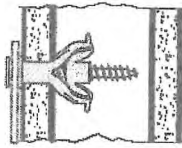
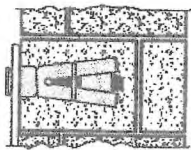
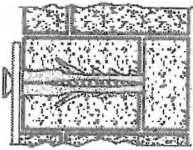
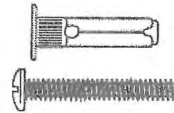
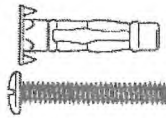
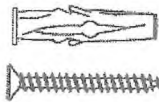
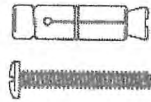
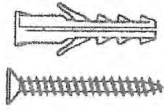
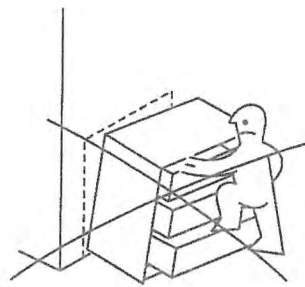
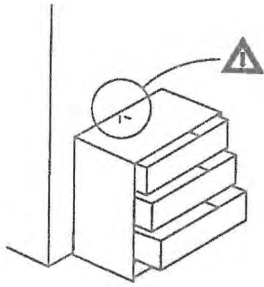


8

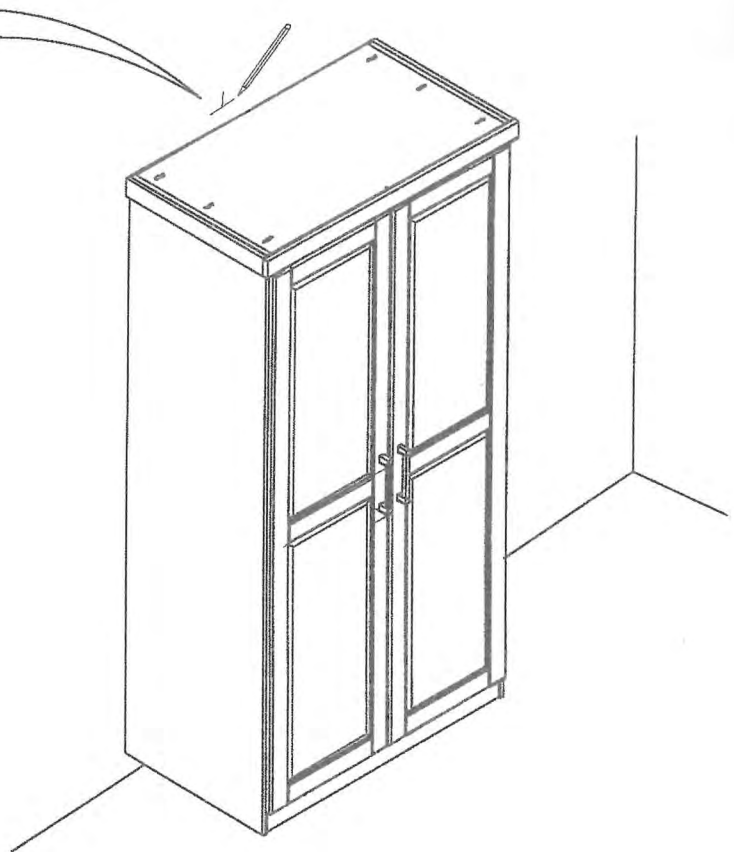
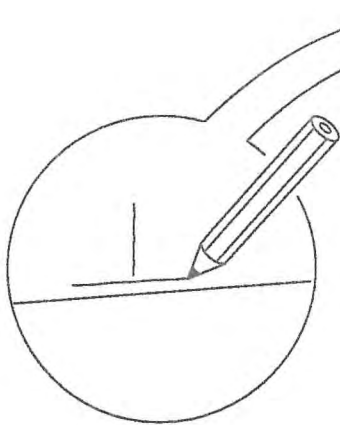


9

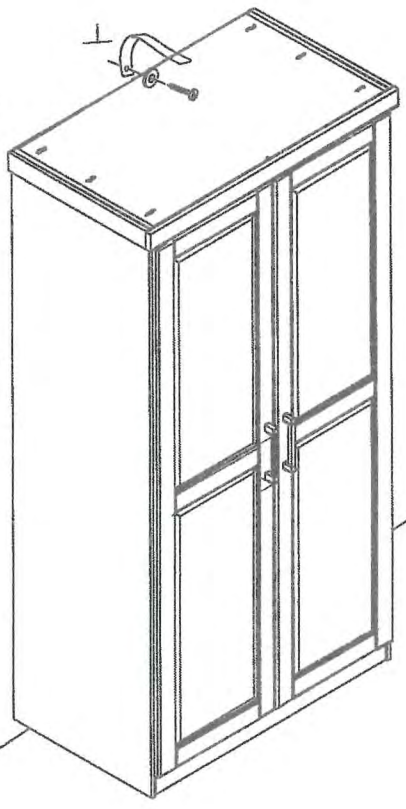
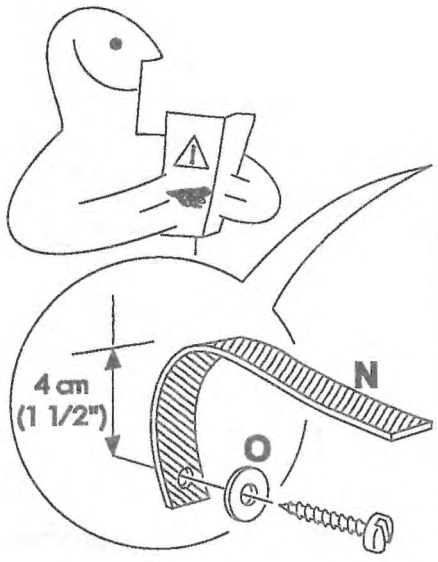






10

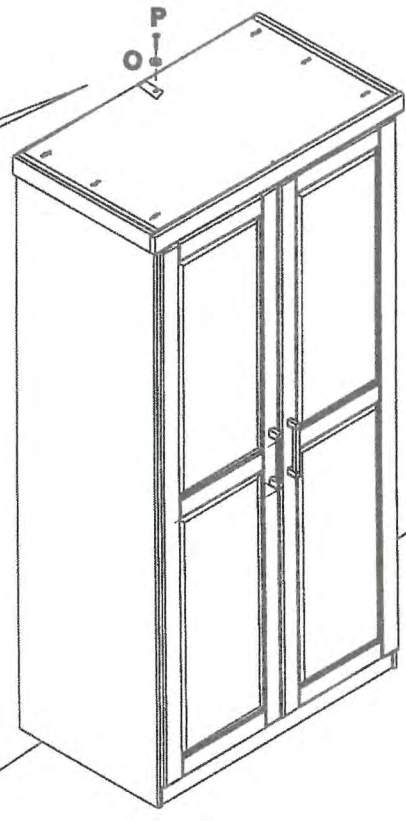
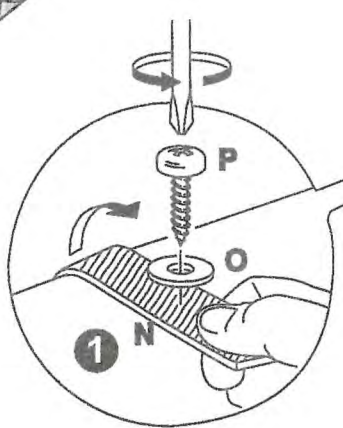


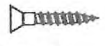

11



O		01 x
N		01 x

12



P		3,0 x 16 mm	01 x
O			01 x