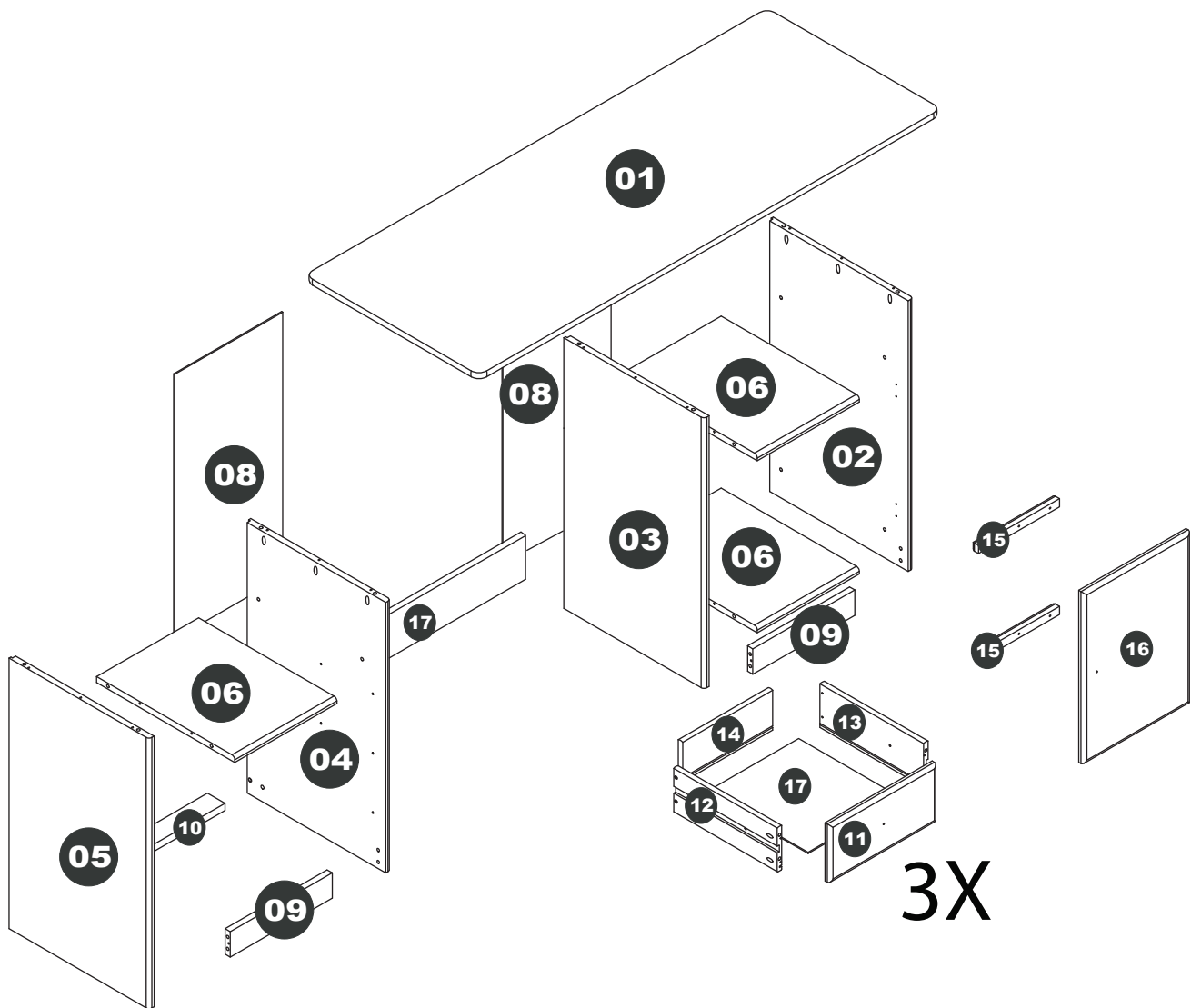
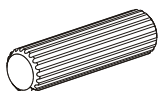

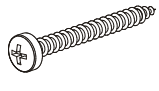
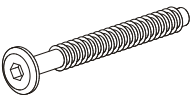

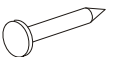
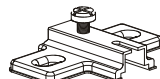

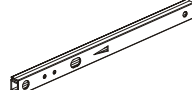

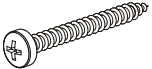
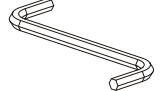



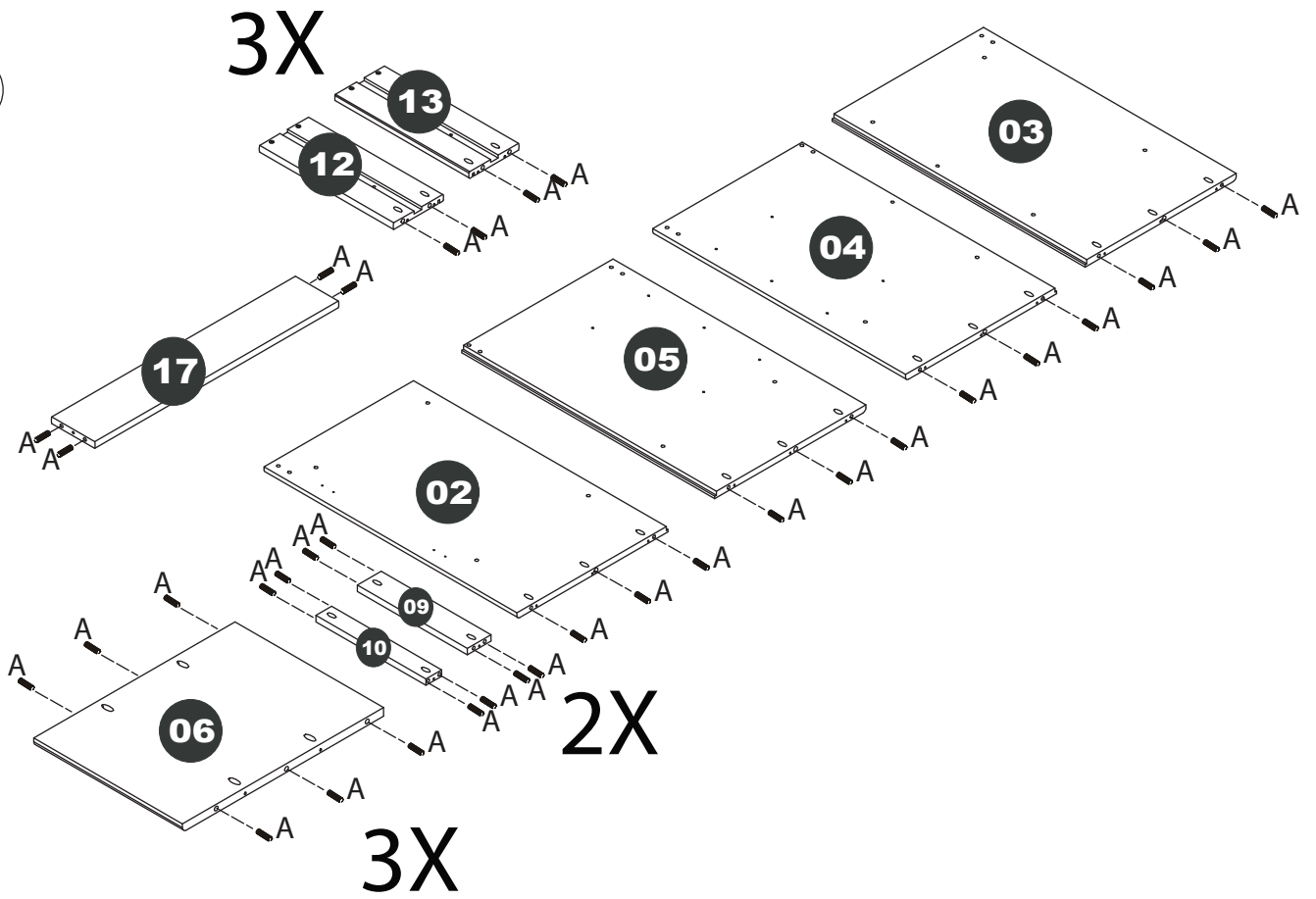
1-8



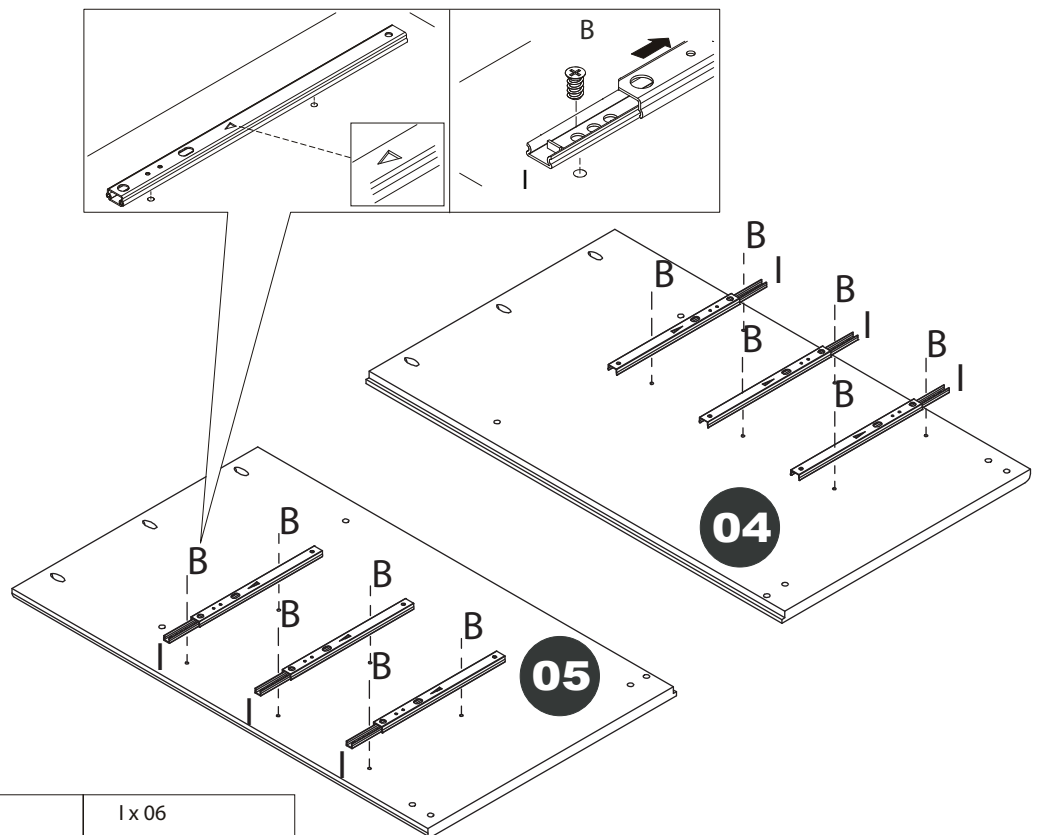
3X

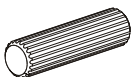


<p>A x 62</p>  <p>8,0 x 30mm</p>	<p>B x 12</p>  <p>6,0 x 10mm</p>	<p>C x 60</p>  <p>3,5 x 30mm</p>	<p>D x 02</p>  <p>7,0 x 50mm</p>	<p>E x 06</p>  <p>M4 x 10mm</p>
<p>F x 20</p> 	<p>G x 02</p> 	<p>H x 02</p> 	<p>I x 06</p> 	<p>J x 04</p> 
<p>L x 04</p>  <p>4,0 x 40mm</p>	<p>M x 01</p> 	<p>N x 08</p>  <p>3,0 x 16mm</p>		

1

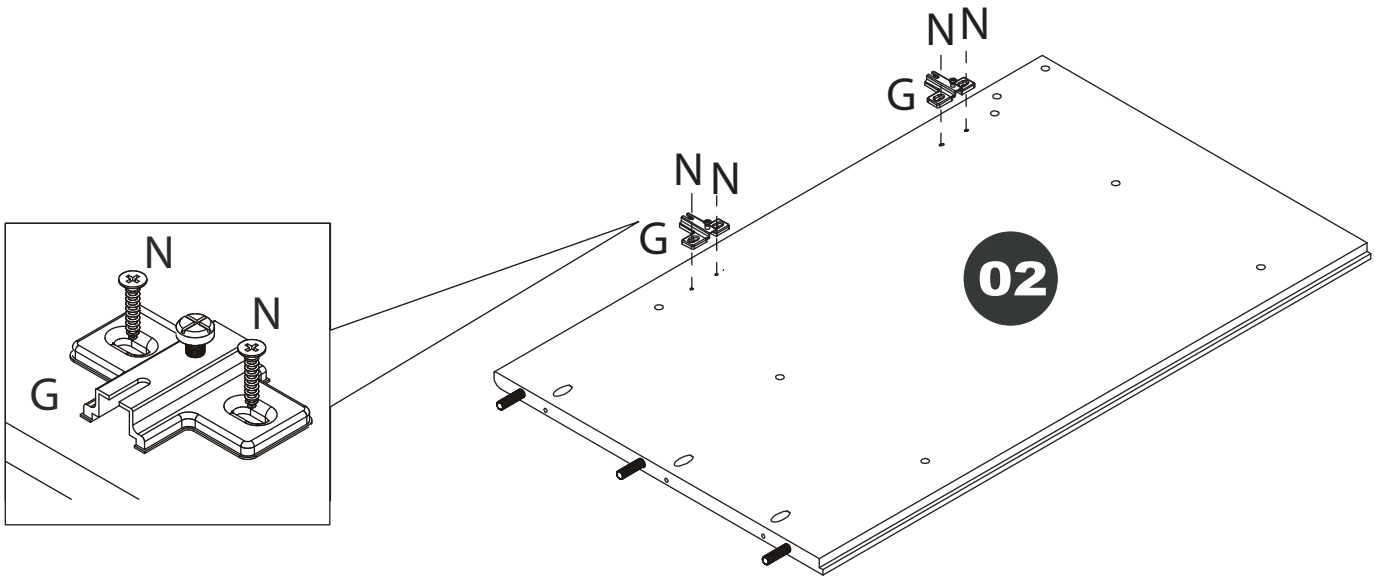


2

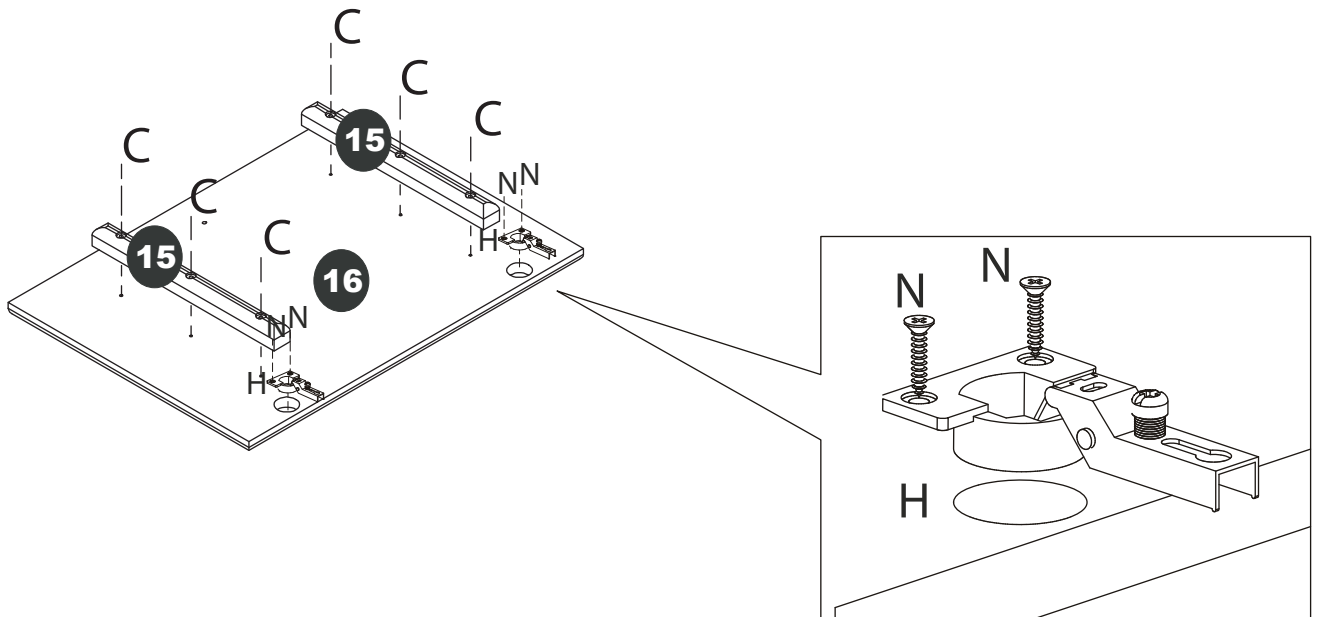


A x 62	B x 12	I x 06
		
8,0 x 30mm	6,0 x 10mm	

3



4



C x 06



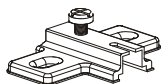
3,5 x 30mm

N x 08



3,0 x 16mm

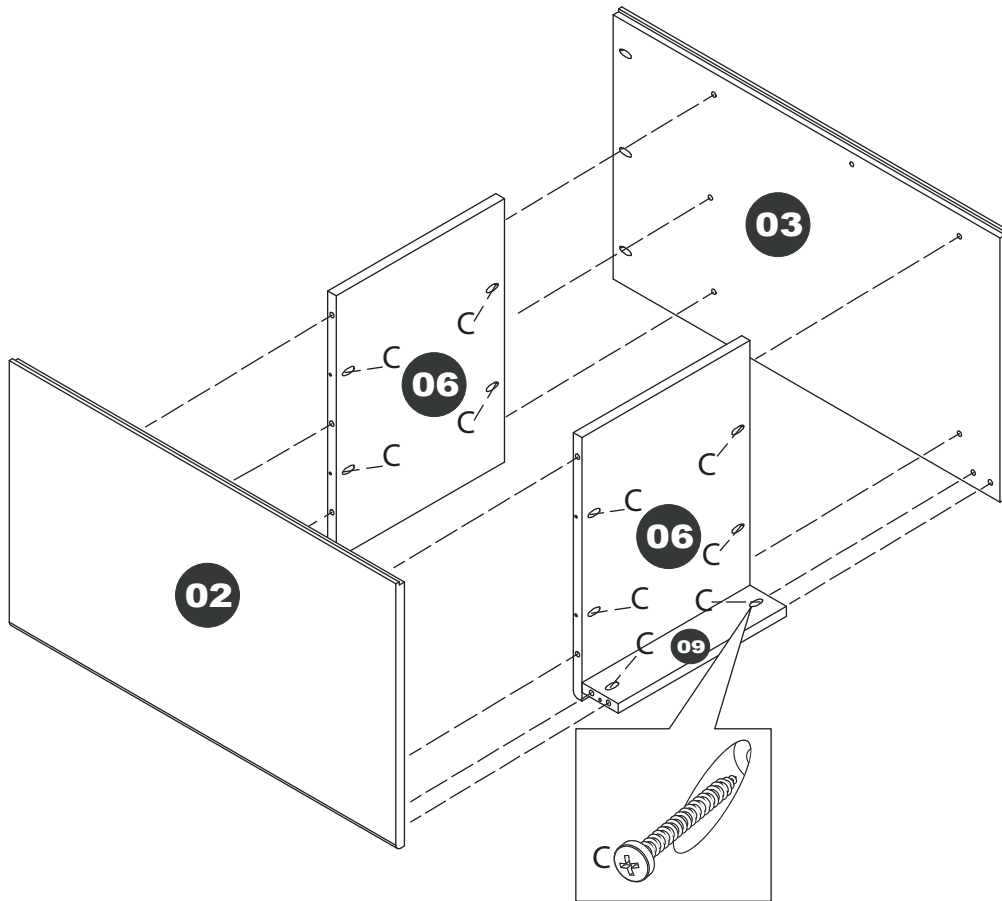
G x 02



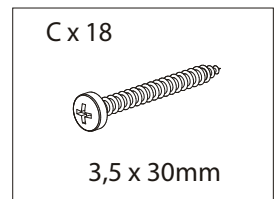
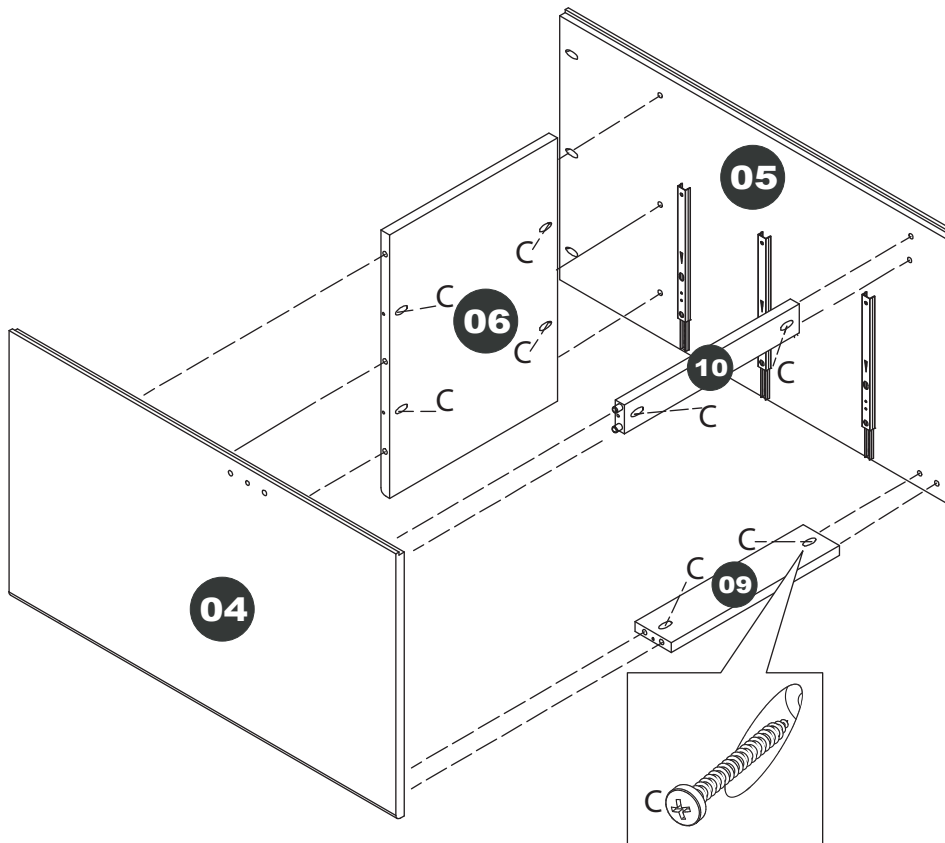
H x 02



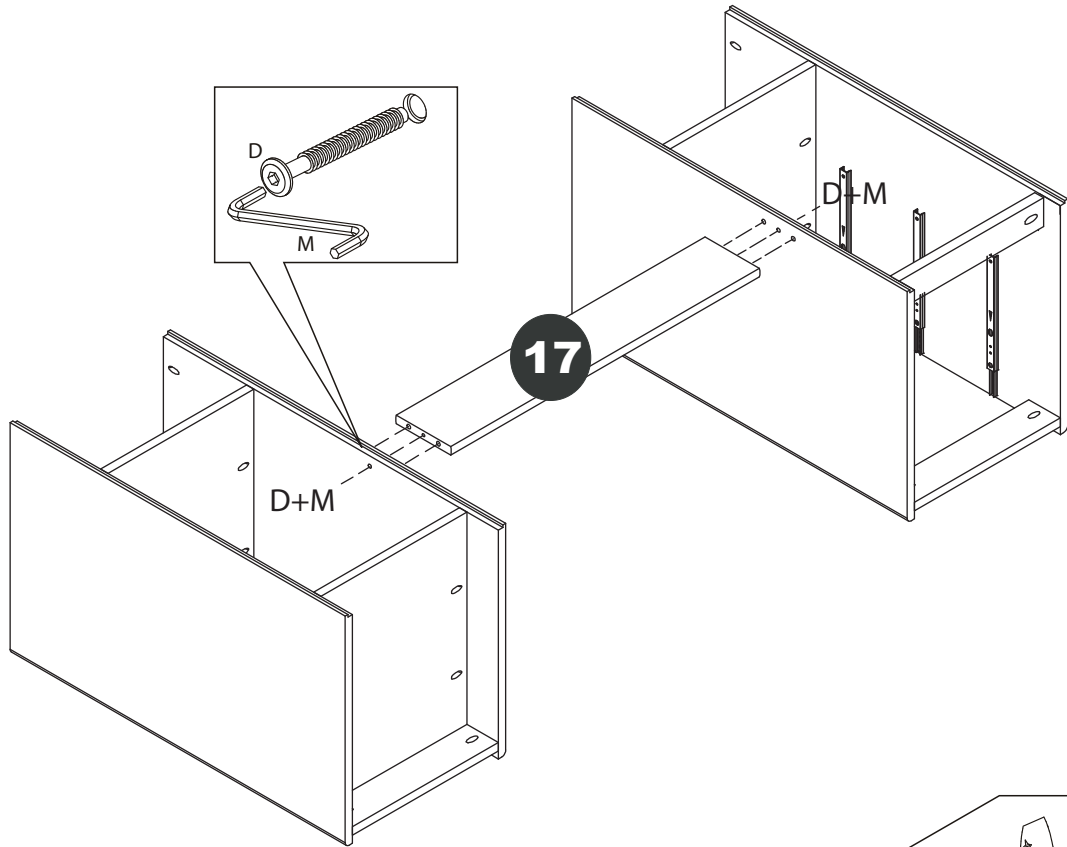
5



6

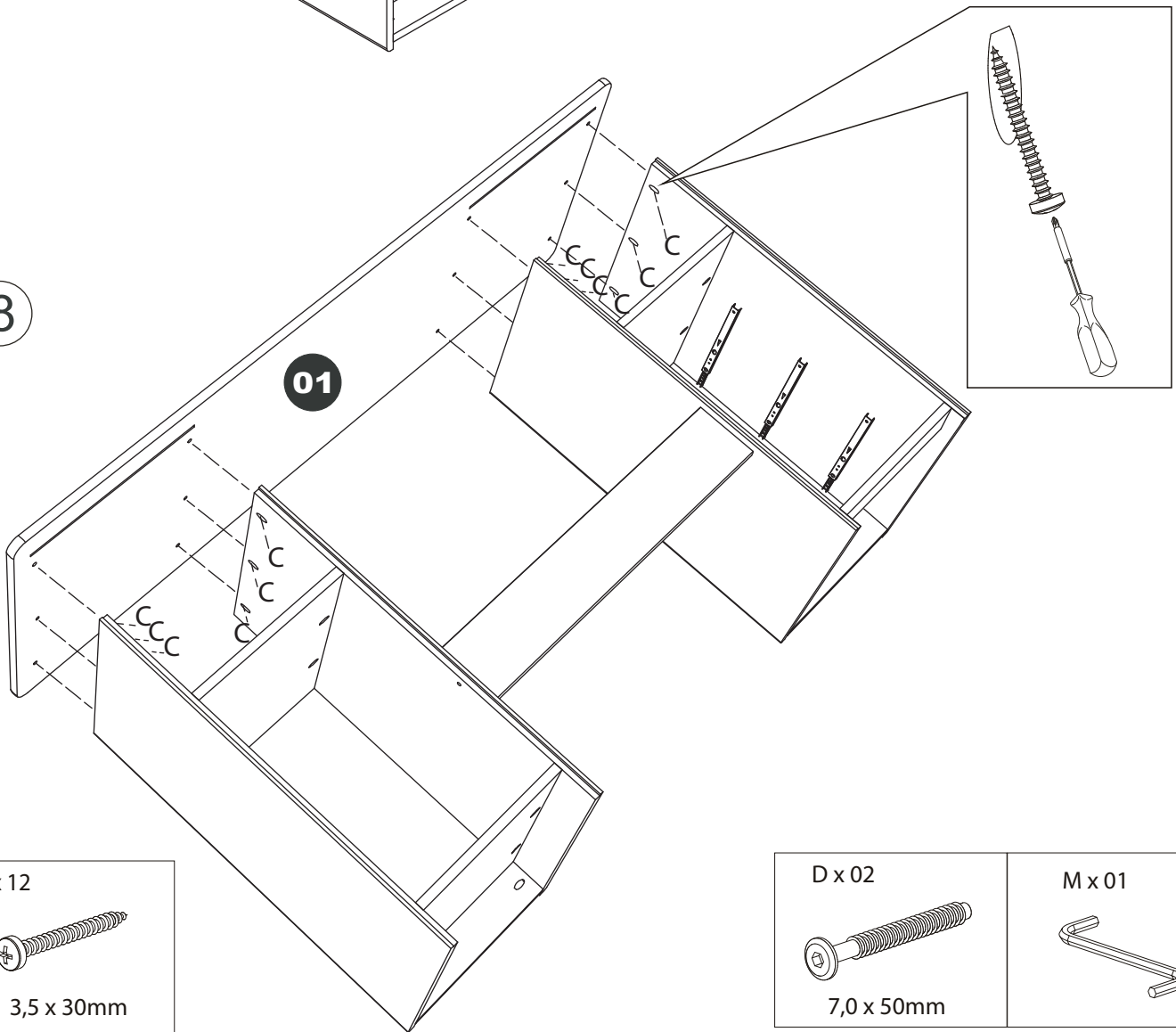


7

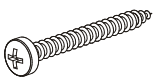


17

8

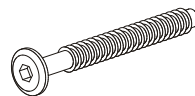


C x 12



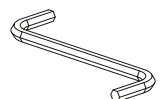
3,5 x 30mm

D x 02



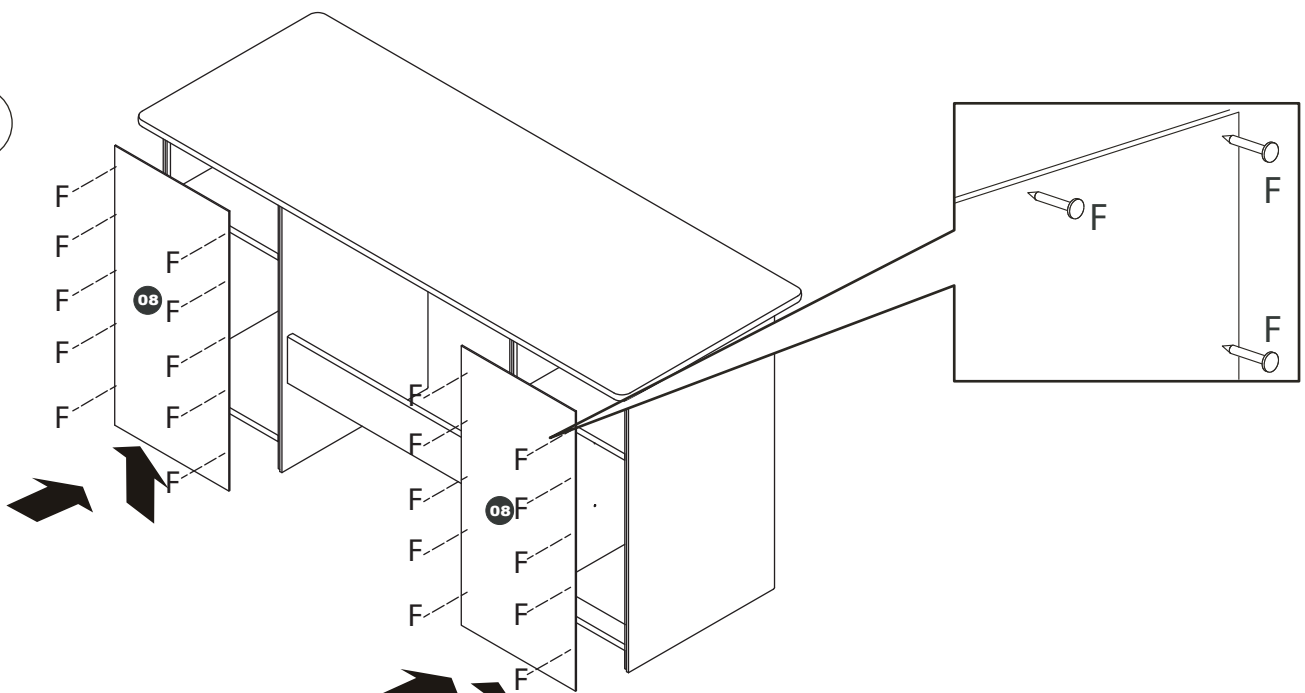
7,0 x 50mm

M x 01



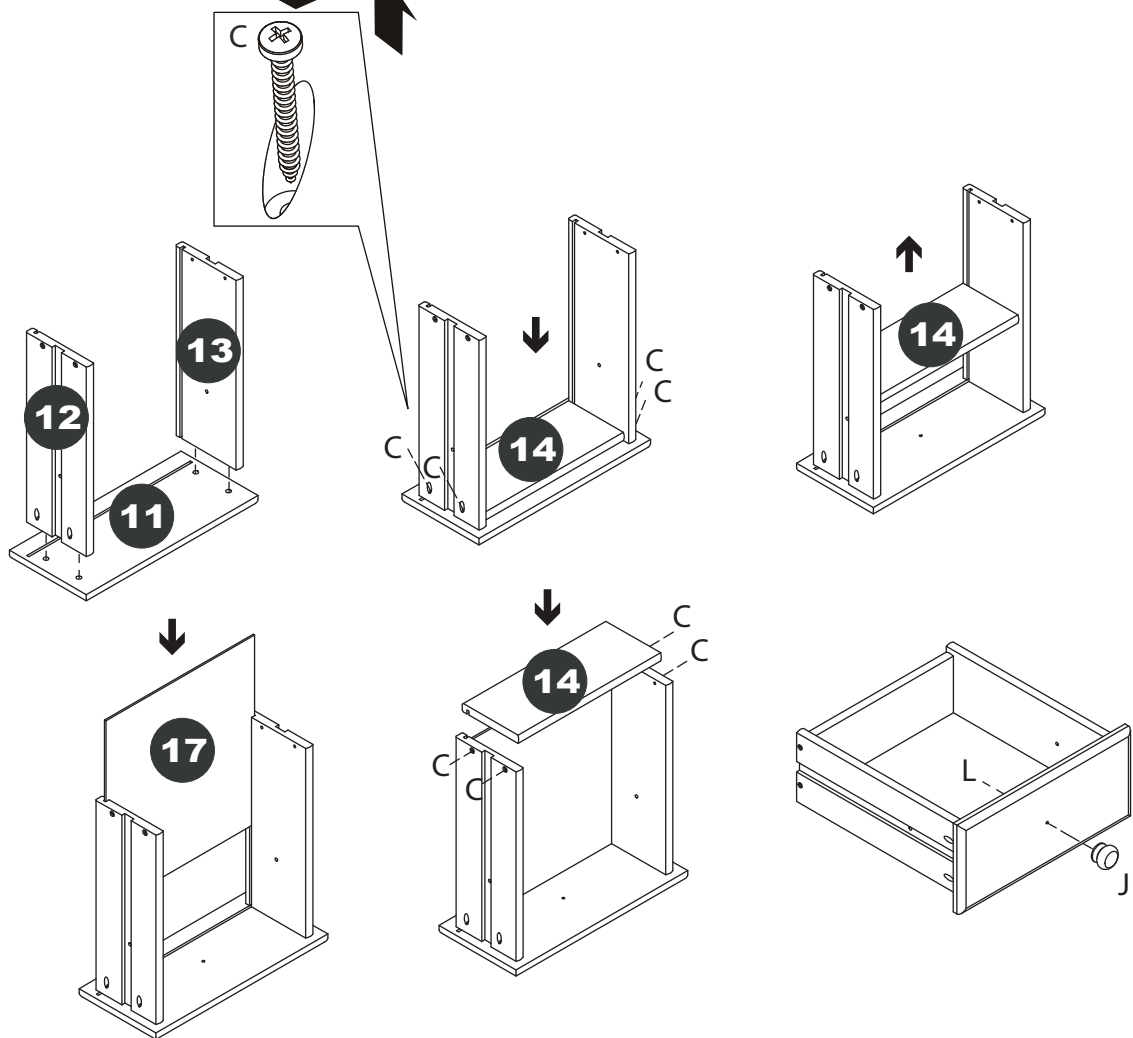
6-8

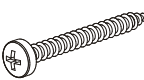
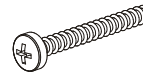
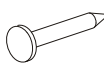

9



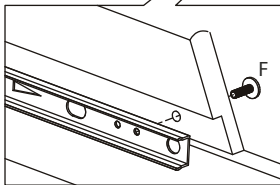
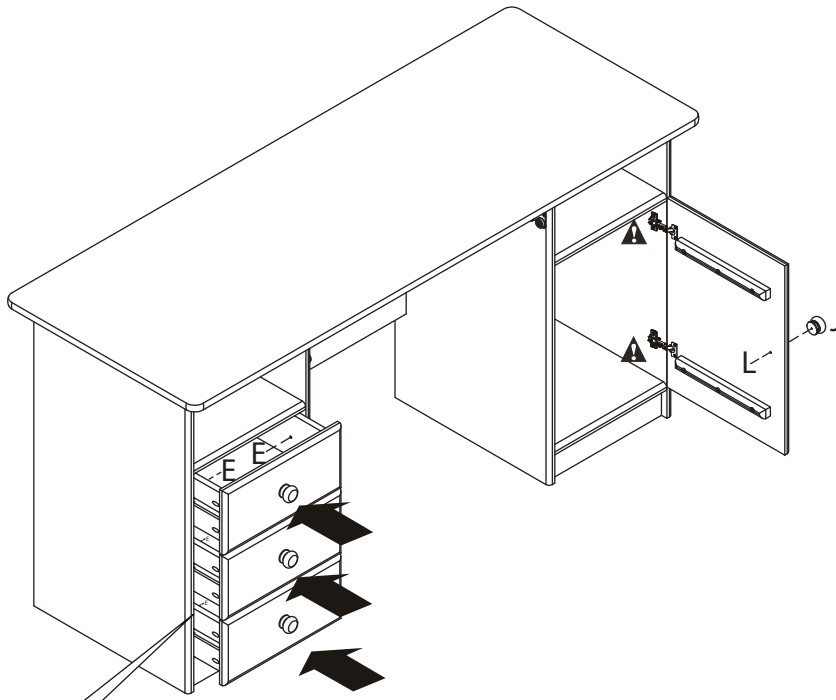
10

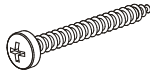


3X



<p>L x 03</p>  <p>4,0 x 40mm</p>	<p>C x 24</p>  <p>3,5 x 30mm</p>	<p>F x 20</p> 	<p>J x 03</p> 
---	---	---	--

11



Lx01  4,0 x 40mm	Ex06  M4 x 10mm	Jx01 
---	--	---

