


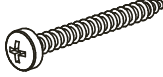

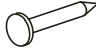
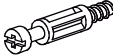




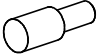



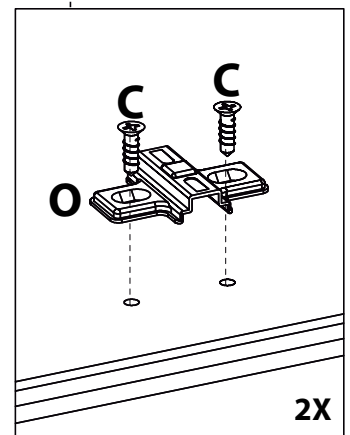
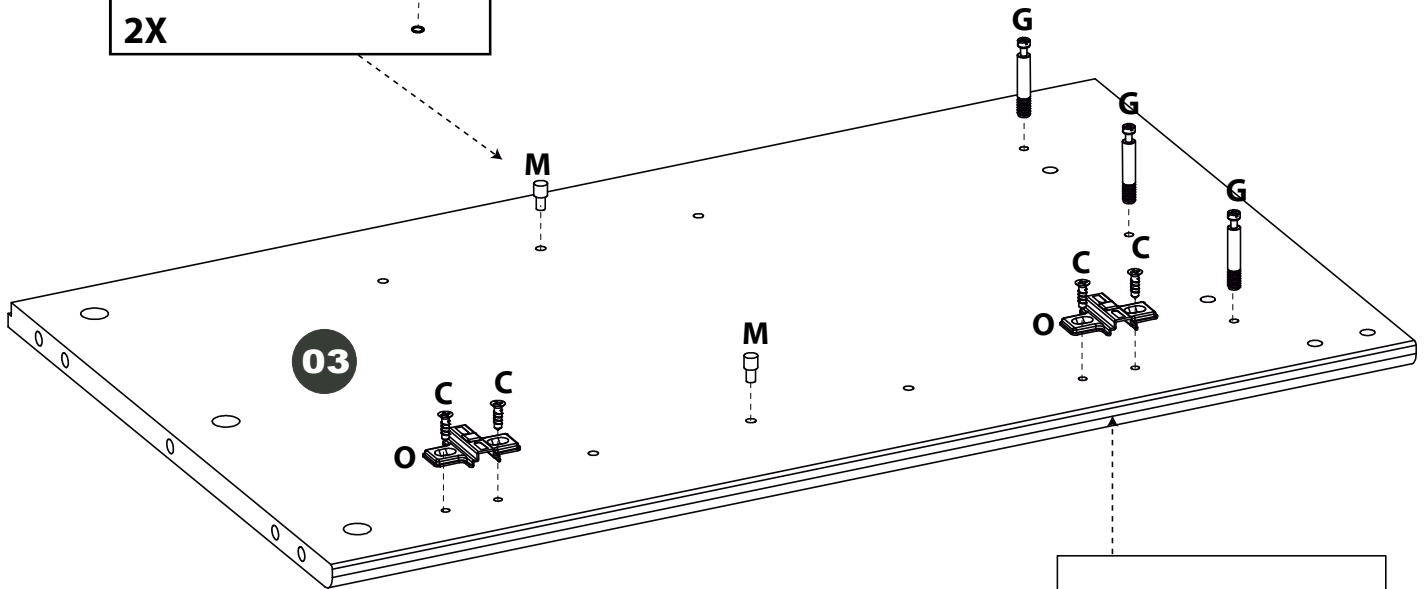
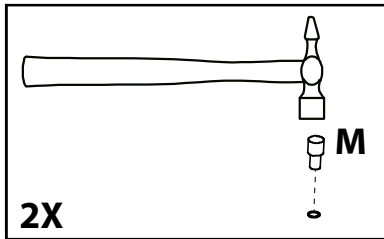
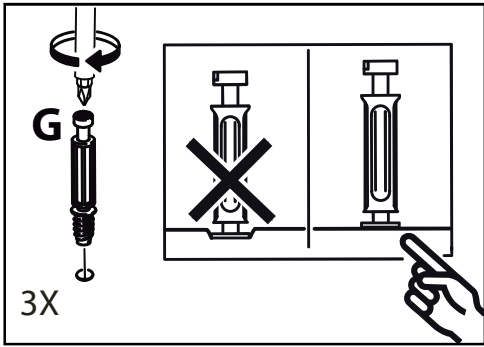






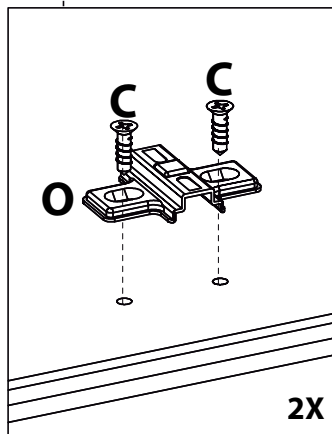
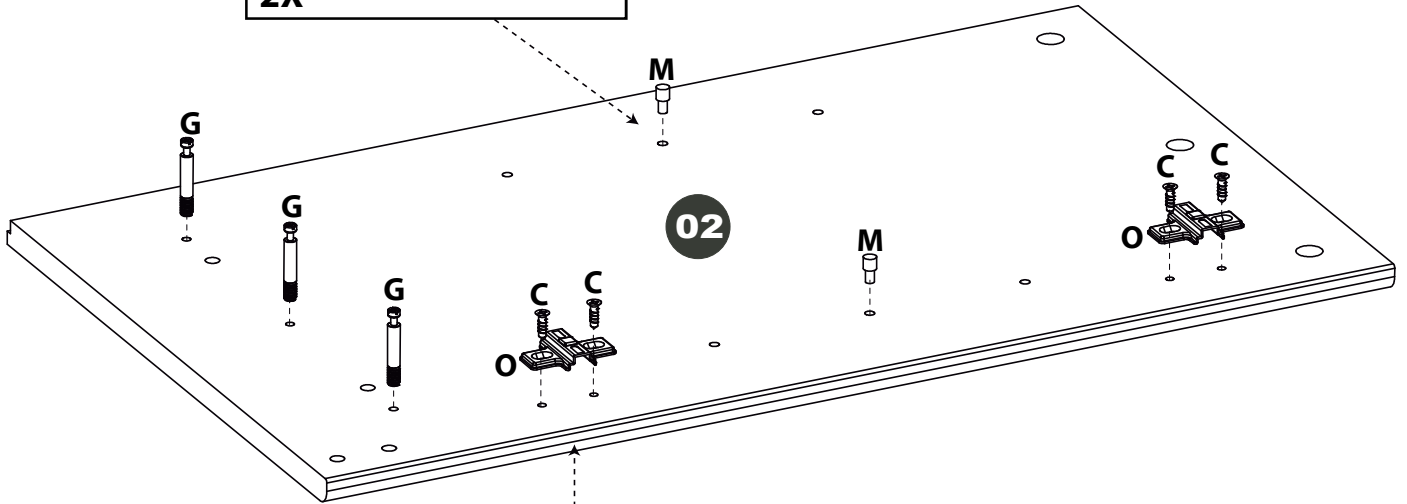
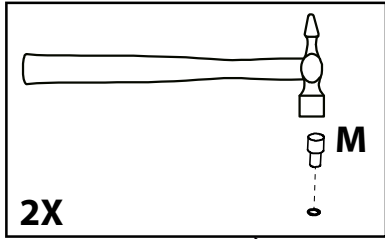
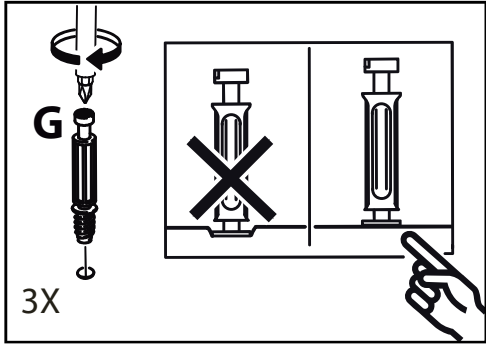
<b>A=12</b>  8,0 x 30mm	<b>B=02</b>  3,5 x 30mm	<b>C=17</b>  4,0 x 16mm	<b>D=02</b>  4,0 x 40mm	<b>E=02</b> 
<b>F=20</b>  8,0 x 8,0mm	<b>G=12</b> 	<b>H=12</b> 	<b>I=02</b> 	<b>J=01</b> 
<b>L=02</b> 	<b>M=04</b> 	<b>N=12</b>  4,0 x 25mm	<b>O=04</b> 	<b>P=04</b> 

1



<b>G=03</b> 	<b>M=02</b> 	<b>C=04</b>  4,0 x 16mm	<b>O=02</b> 
---	--	--	--

2



G=03



M=02



C=04

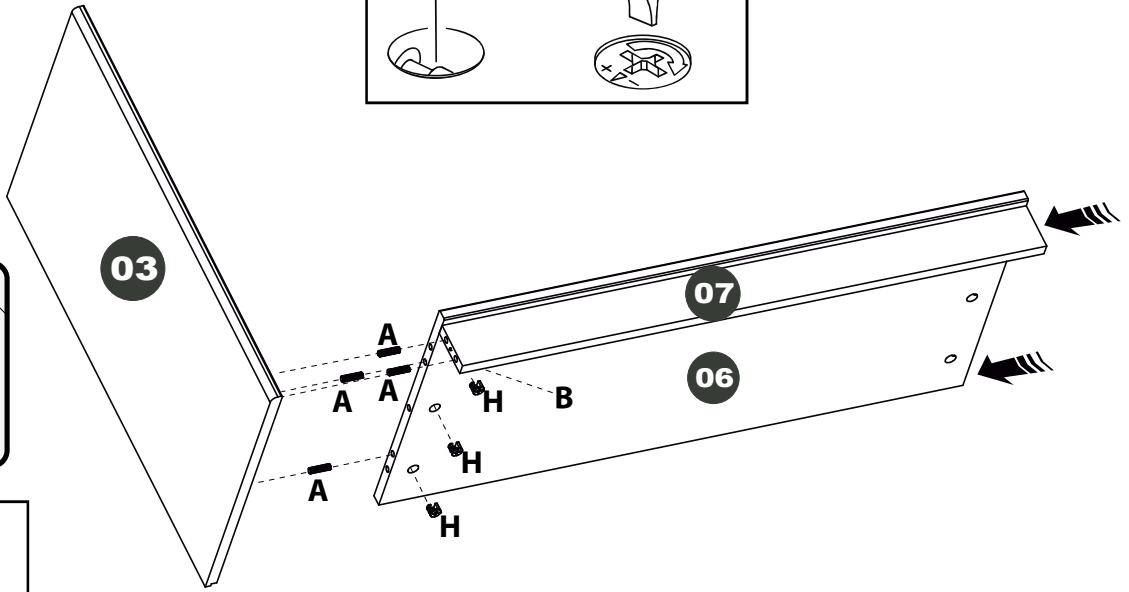
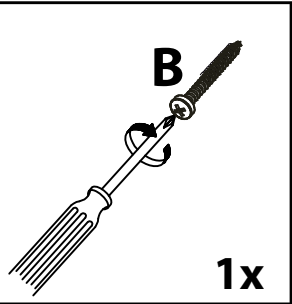
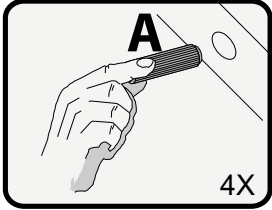
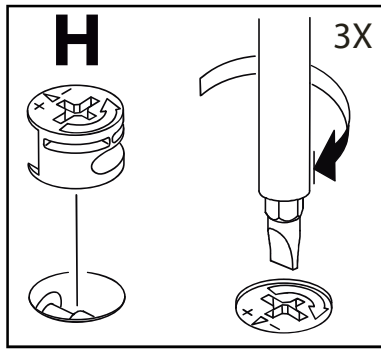


4,0 x 16mm

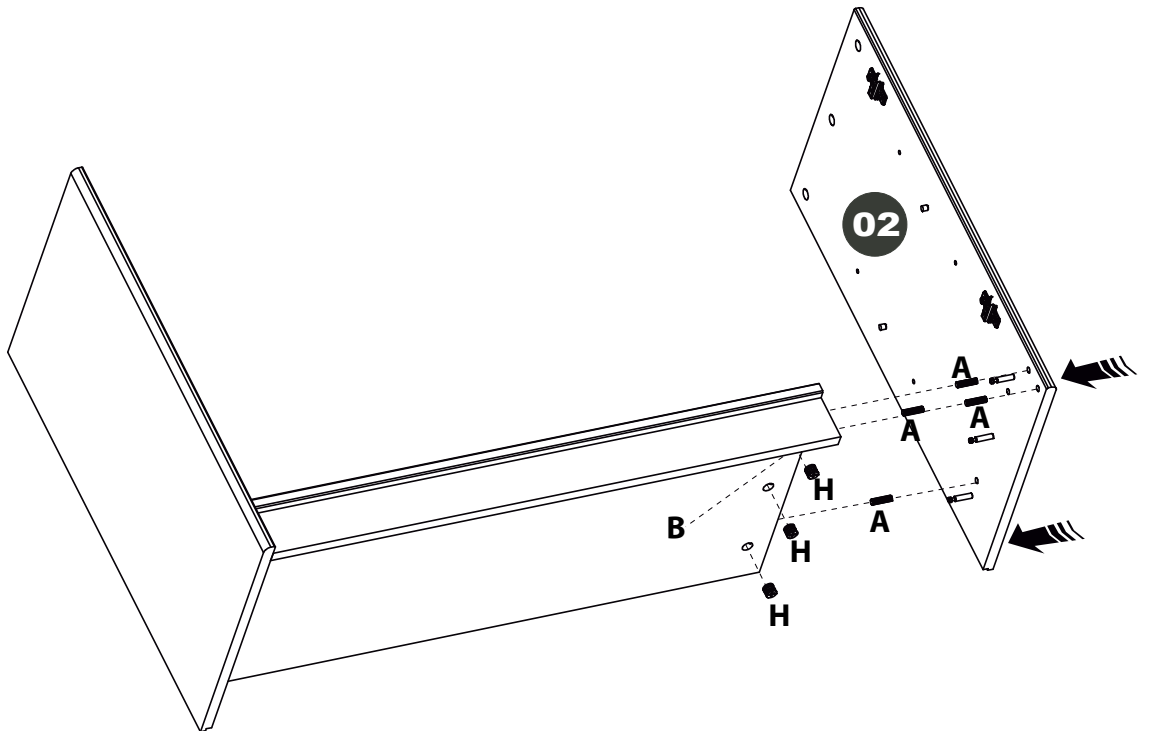
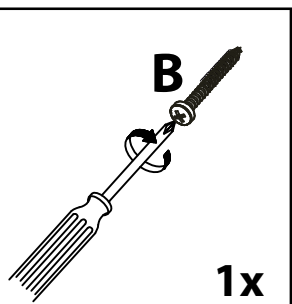
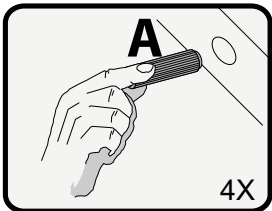
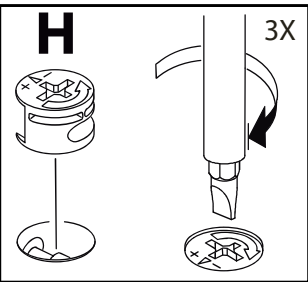
O=02



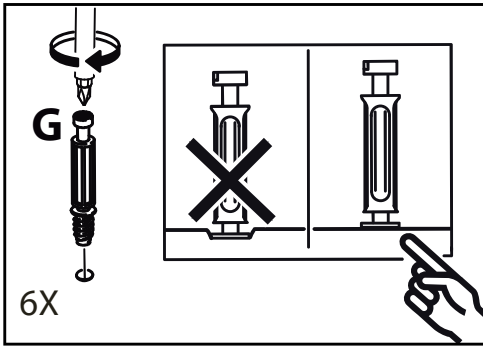
3



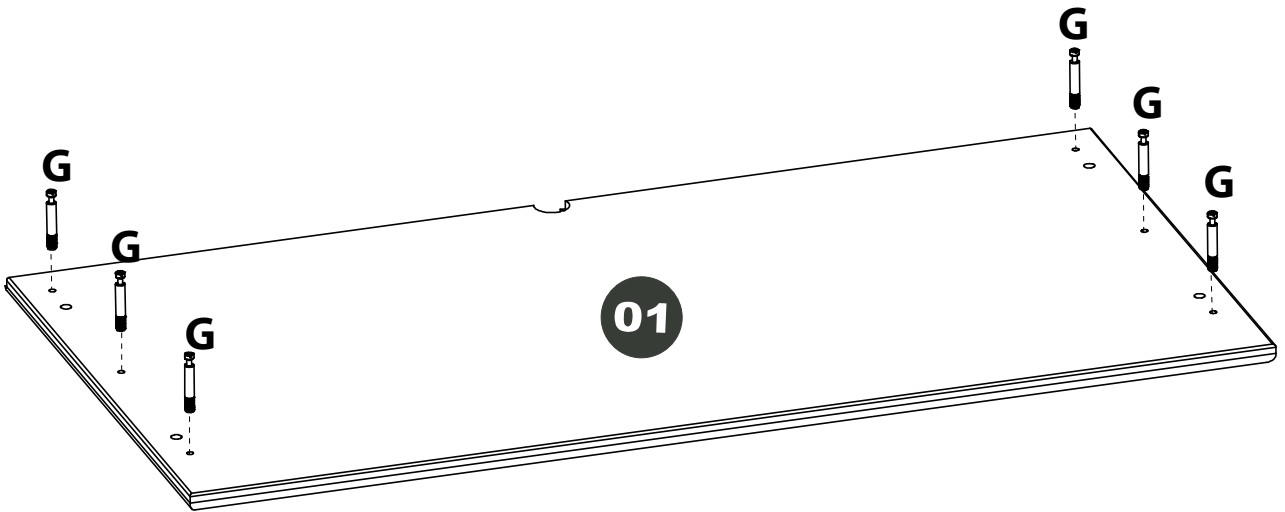
4



5



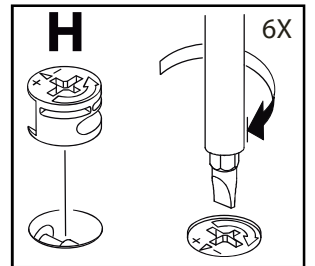
6X



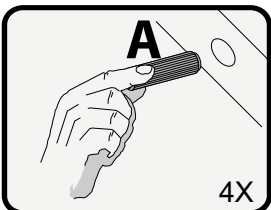
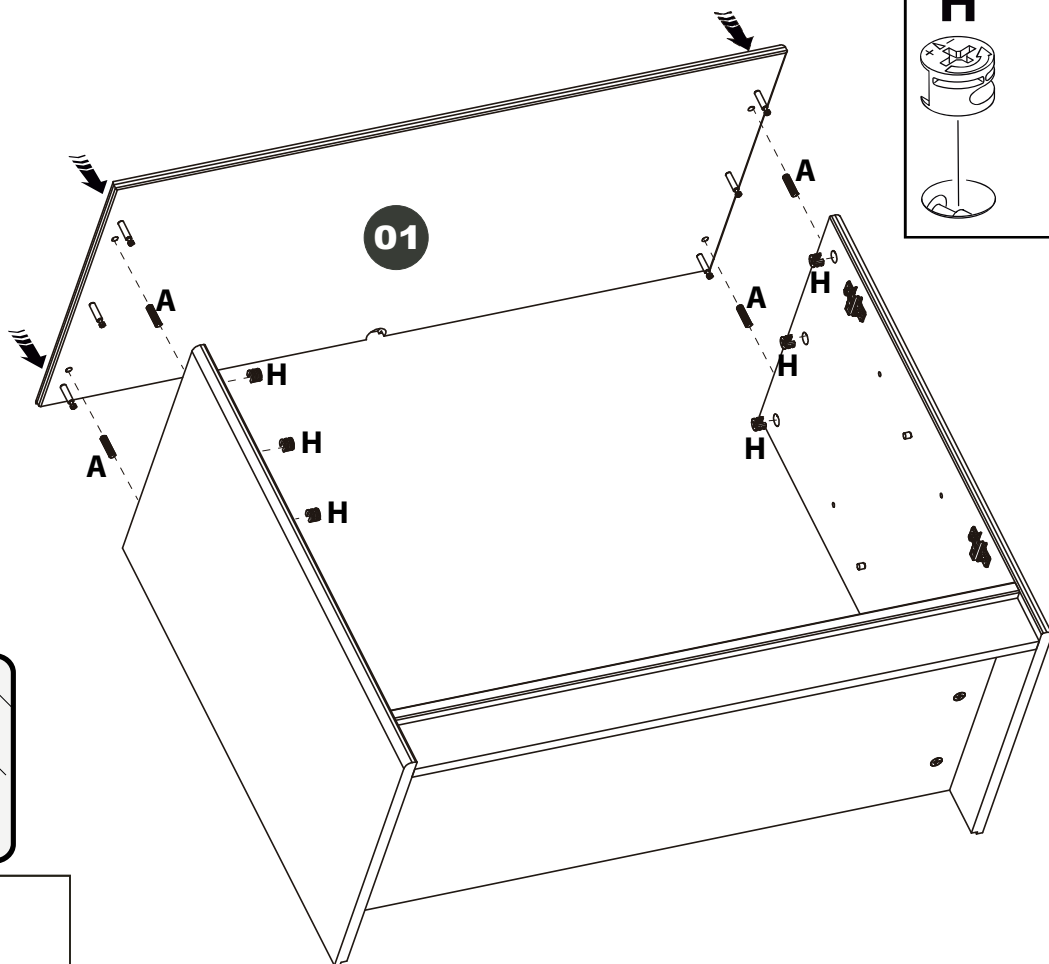
G=06



6



6X



4X

A=04

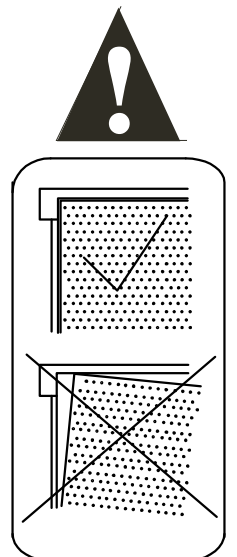
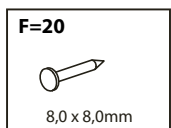
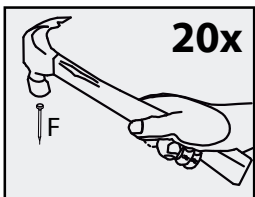
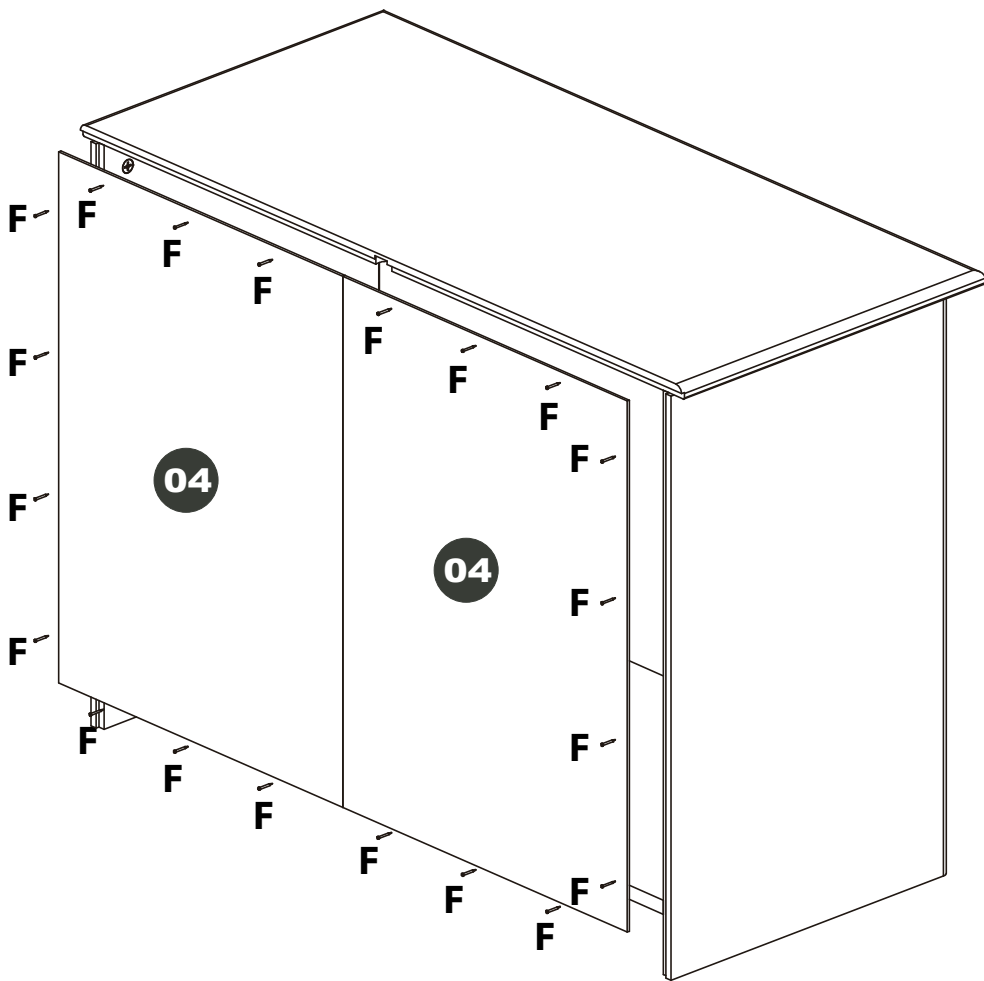
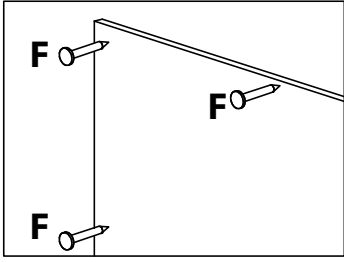


8,0 x 30mm

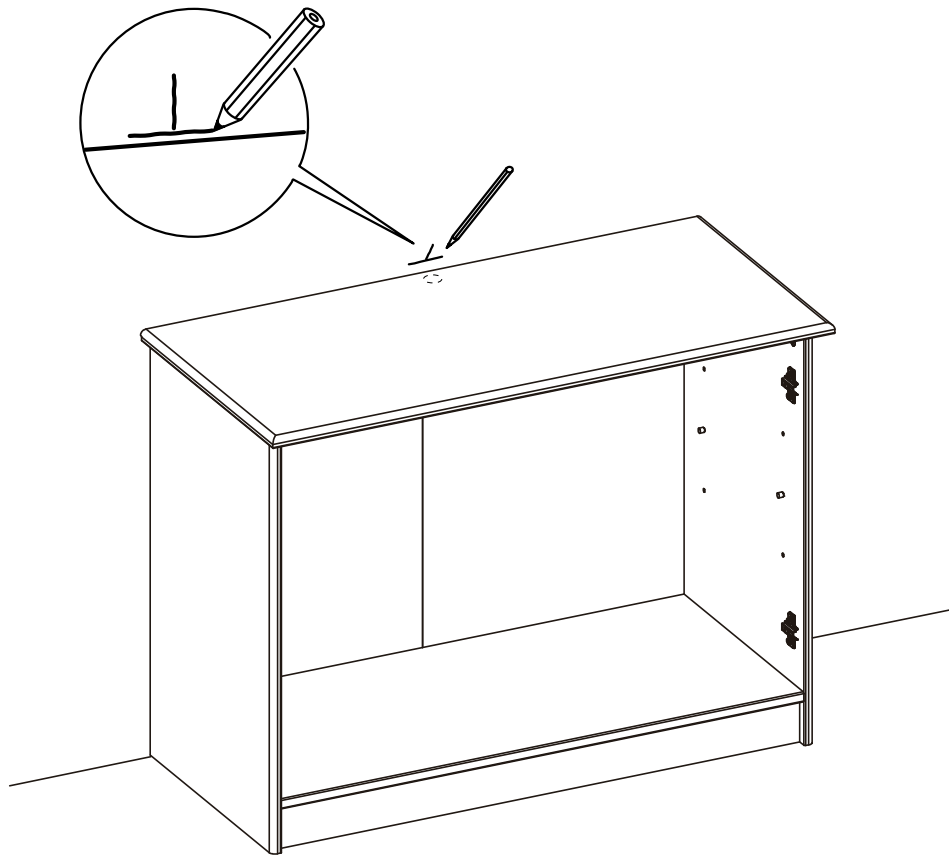
H=06



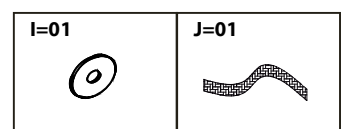
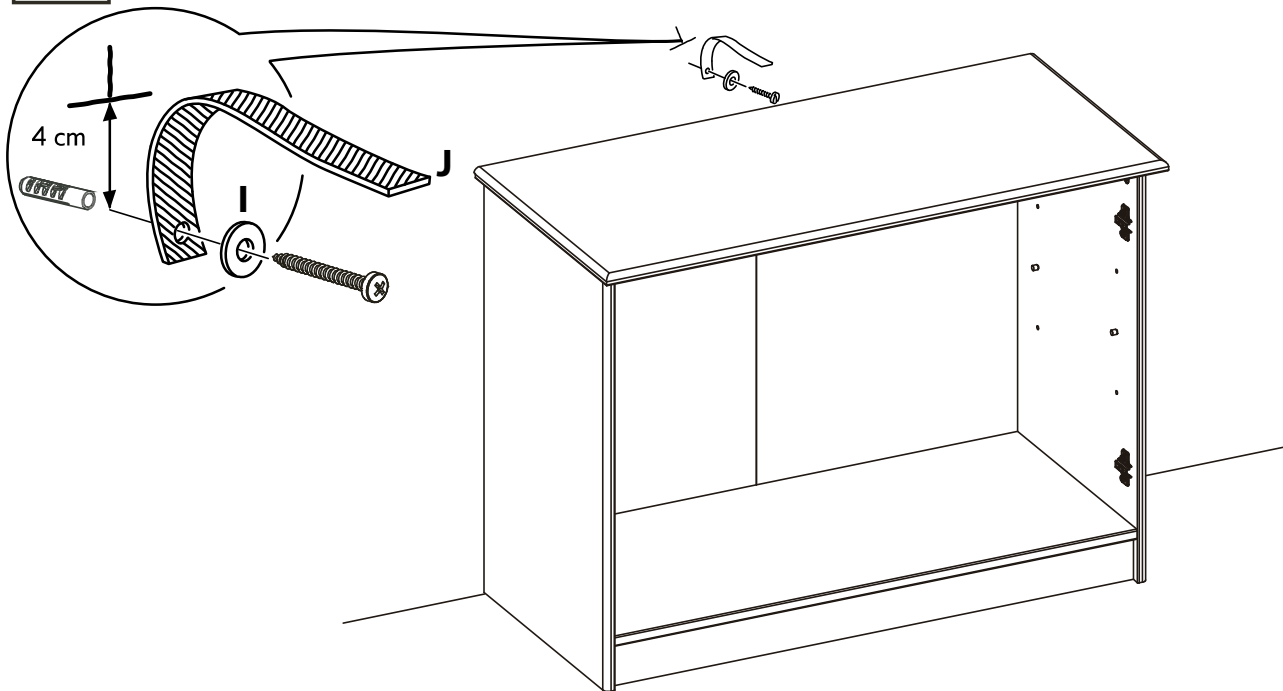
# 7



8

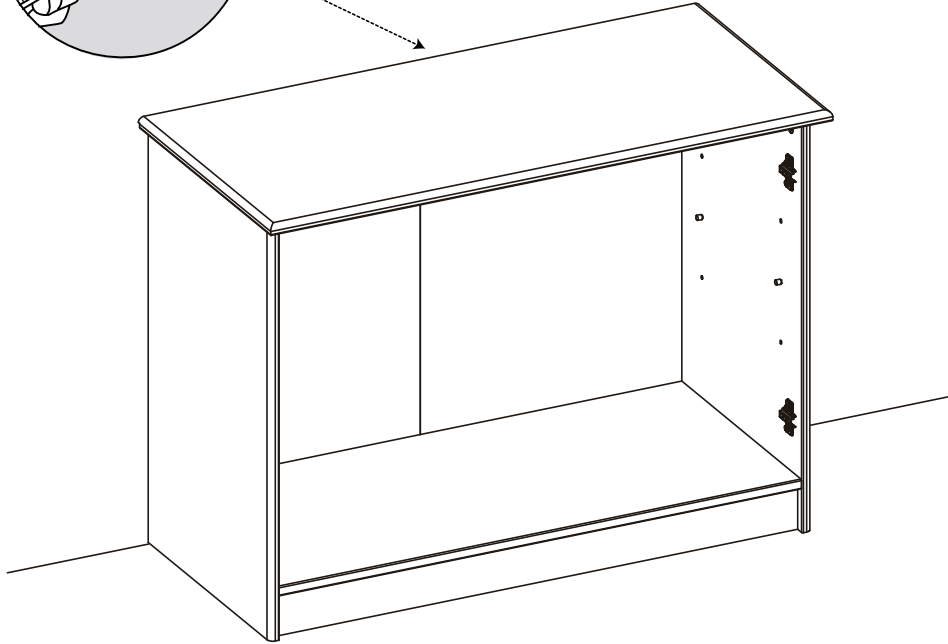
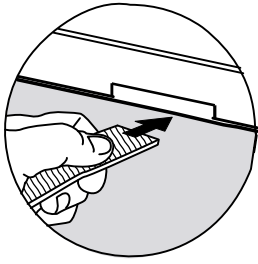


9

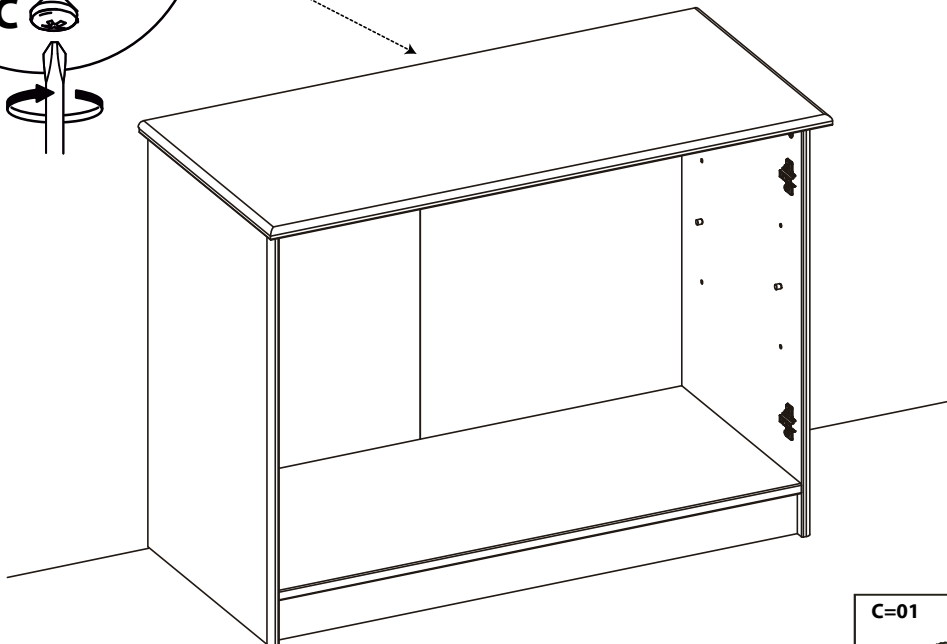
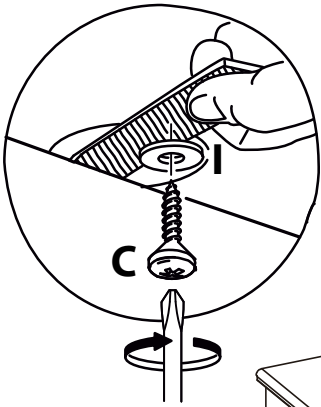






10

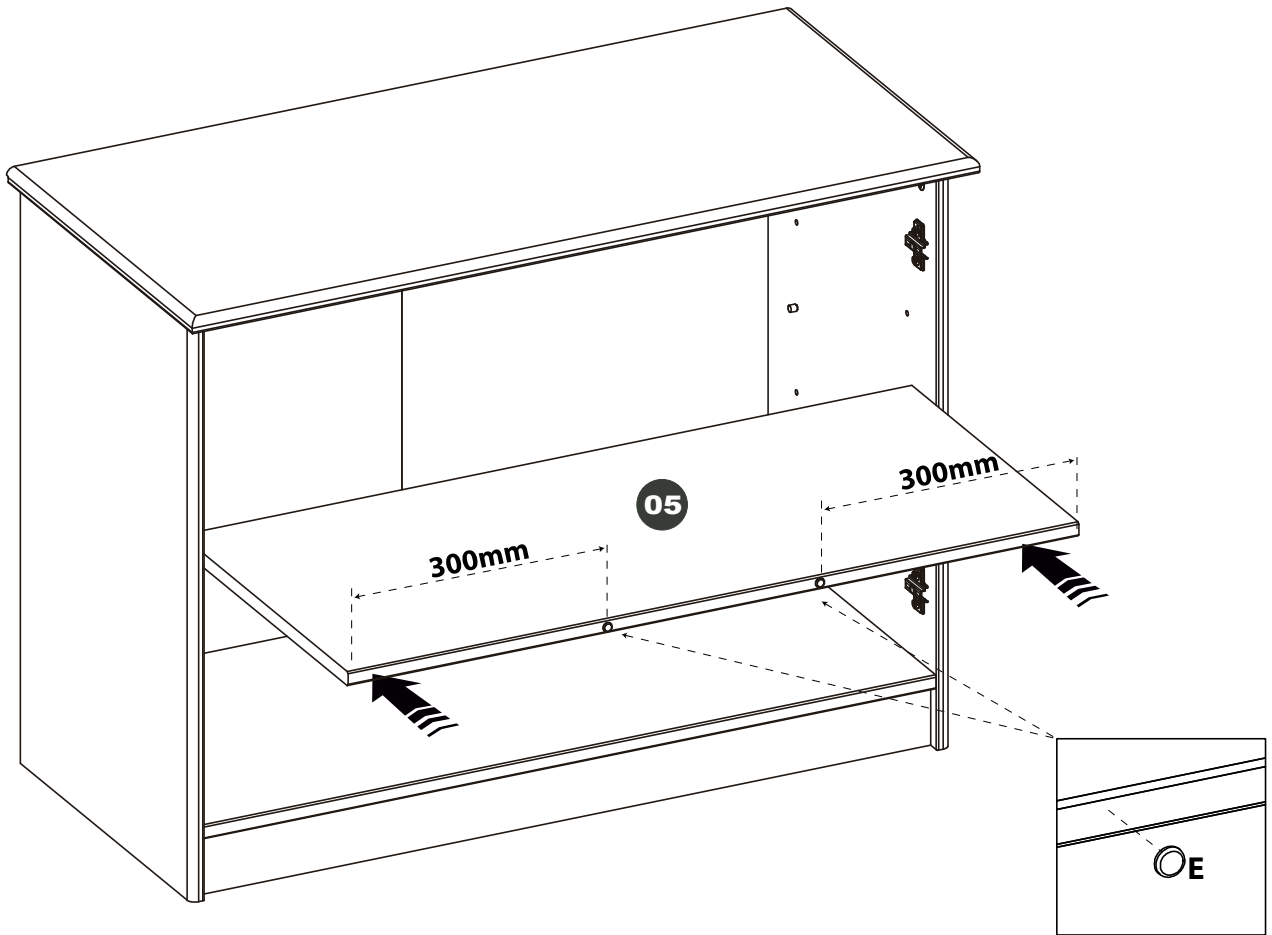


11



<b>C=01</b>  4,0 x 16mm	<b>I=01</b> 
--	--

12

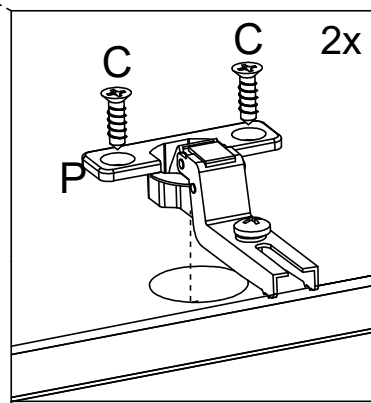
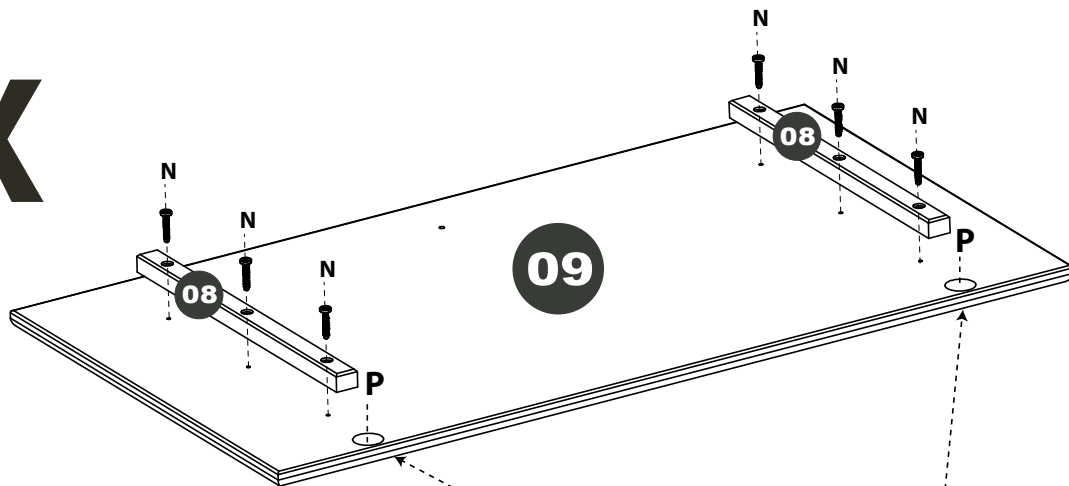


E=02



13

2X



P=04



C=08



N=12



