
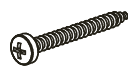
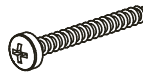


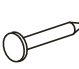







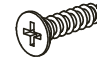



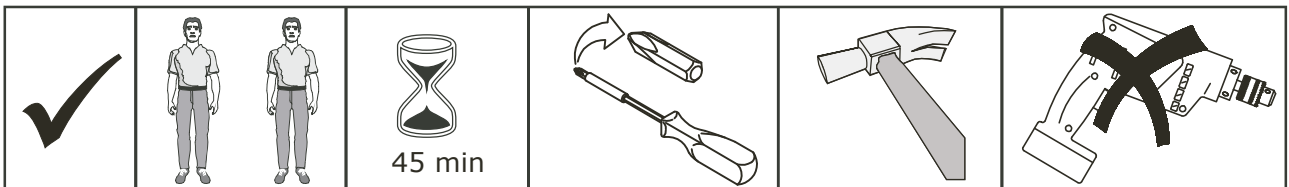
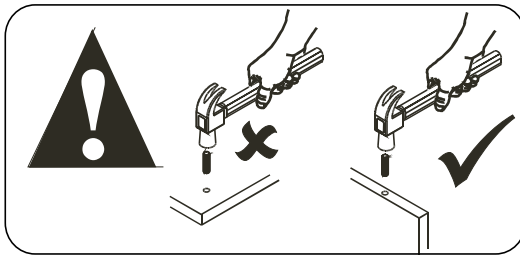
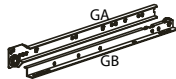




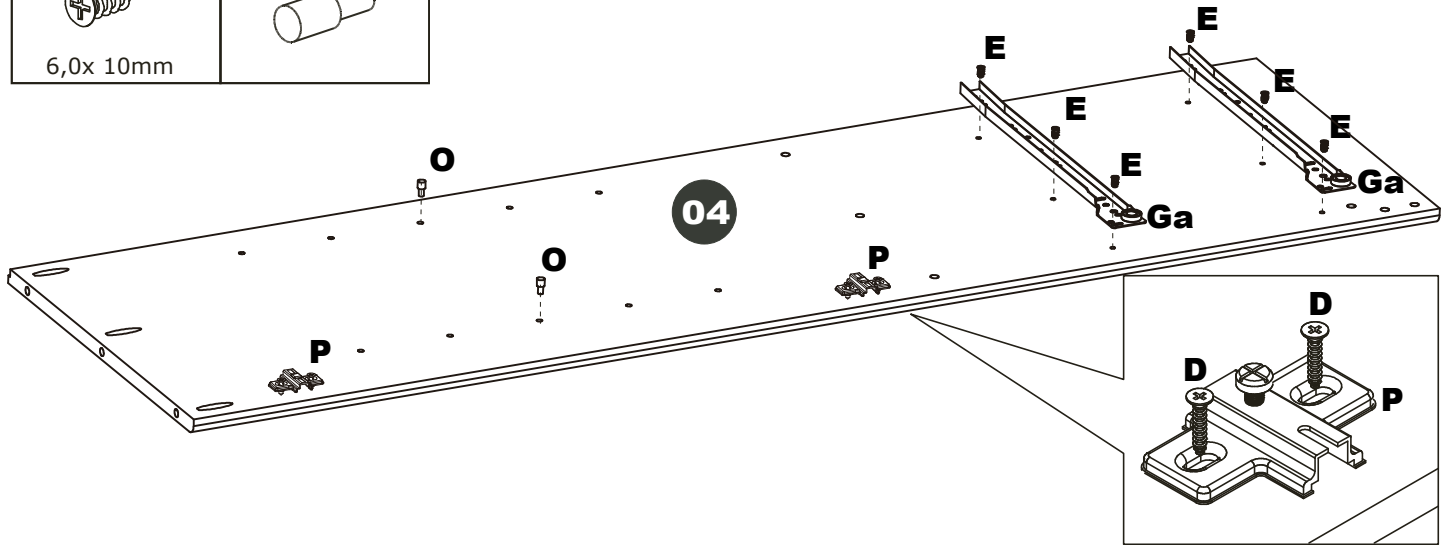
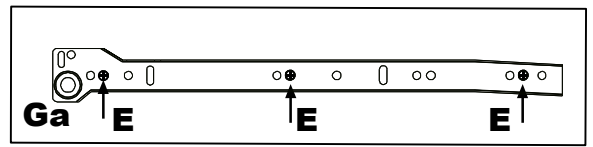


A=36  8,0 x 30mm	B=34  3,5 x 30mm	C=04  4,0 x 40mm	D=20  4,0x 16mm	E=12  6,0x 10mm
F=28 	G=02 	H=02 	I=04 	J=04 
K=02 	L=02  4,0 x 40mm	M=15  4,0 x 25mm	N=14  3,0x 16mm	O=12 
P=05 	Q=05 			

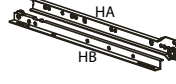
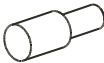



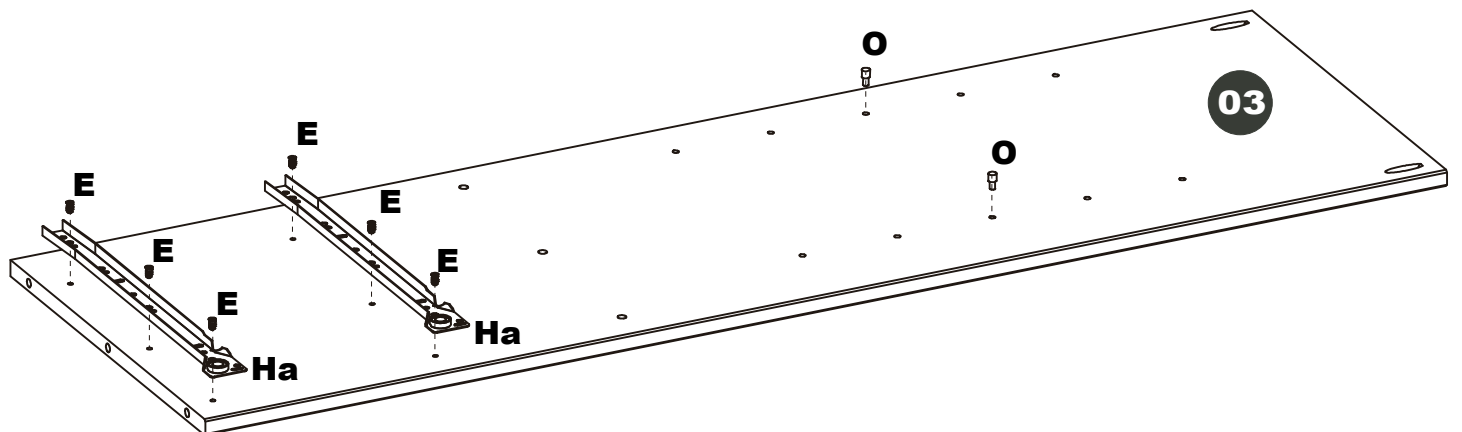
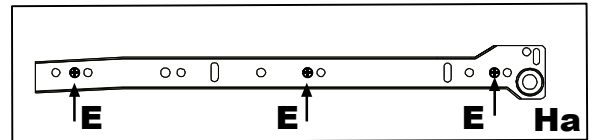
1

G=02 	D=04  4,0x 16mm	P=02 
E=06  6,0x 10mm	O=02 	



2

H=02 	O=02 
E=06  6,0x 10mm	



3

D=06

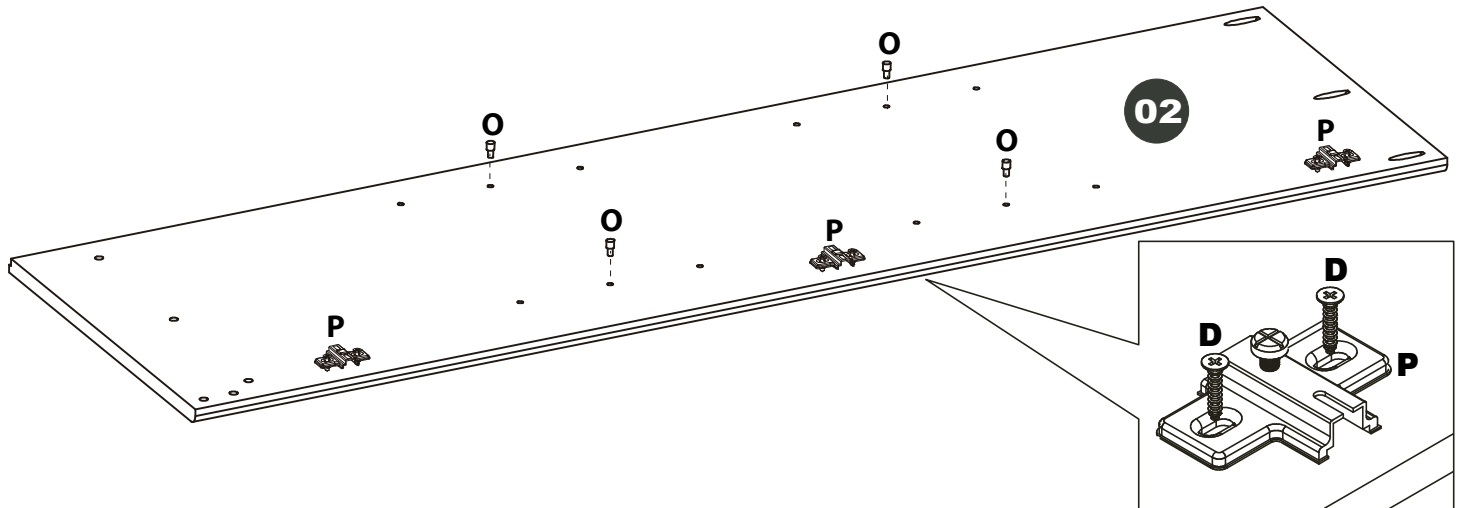
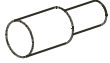


4,0x 16mm

P=03

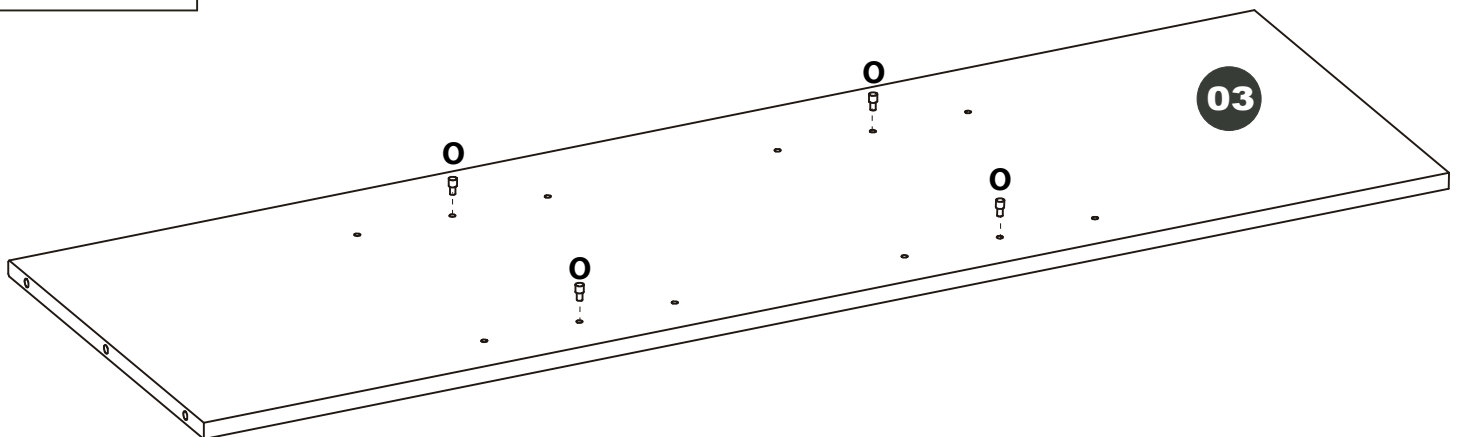
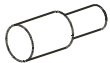


O=04

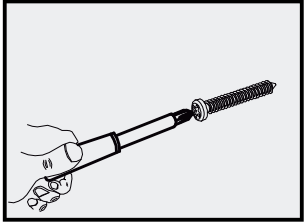
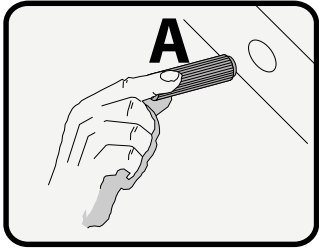


4

O=04



5



A=03

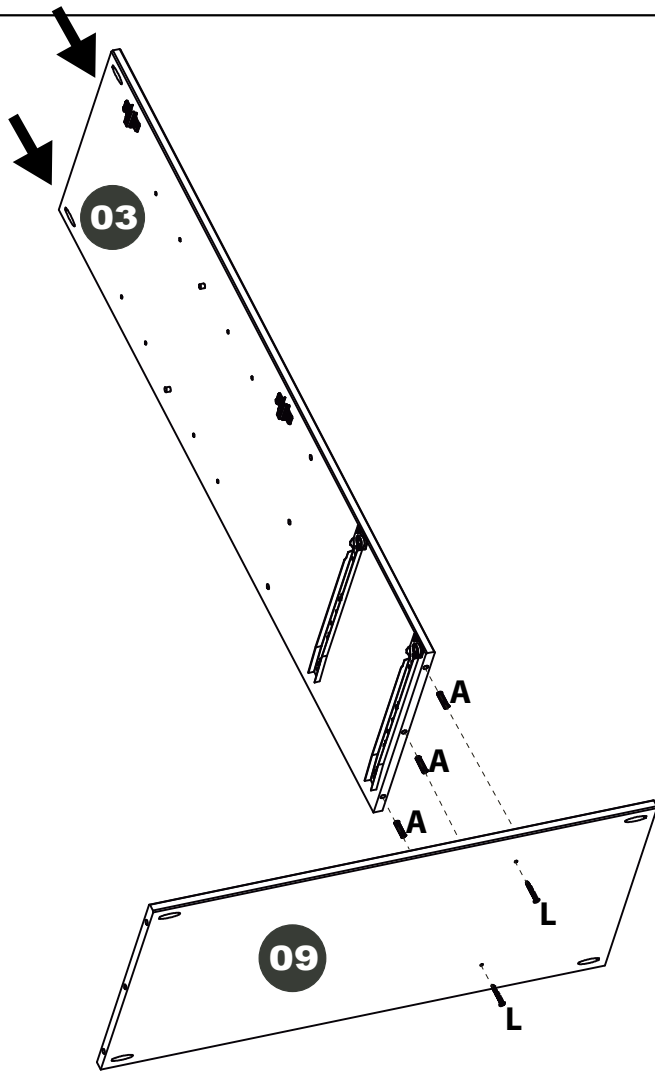


8,0 x 30mm

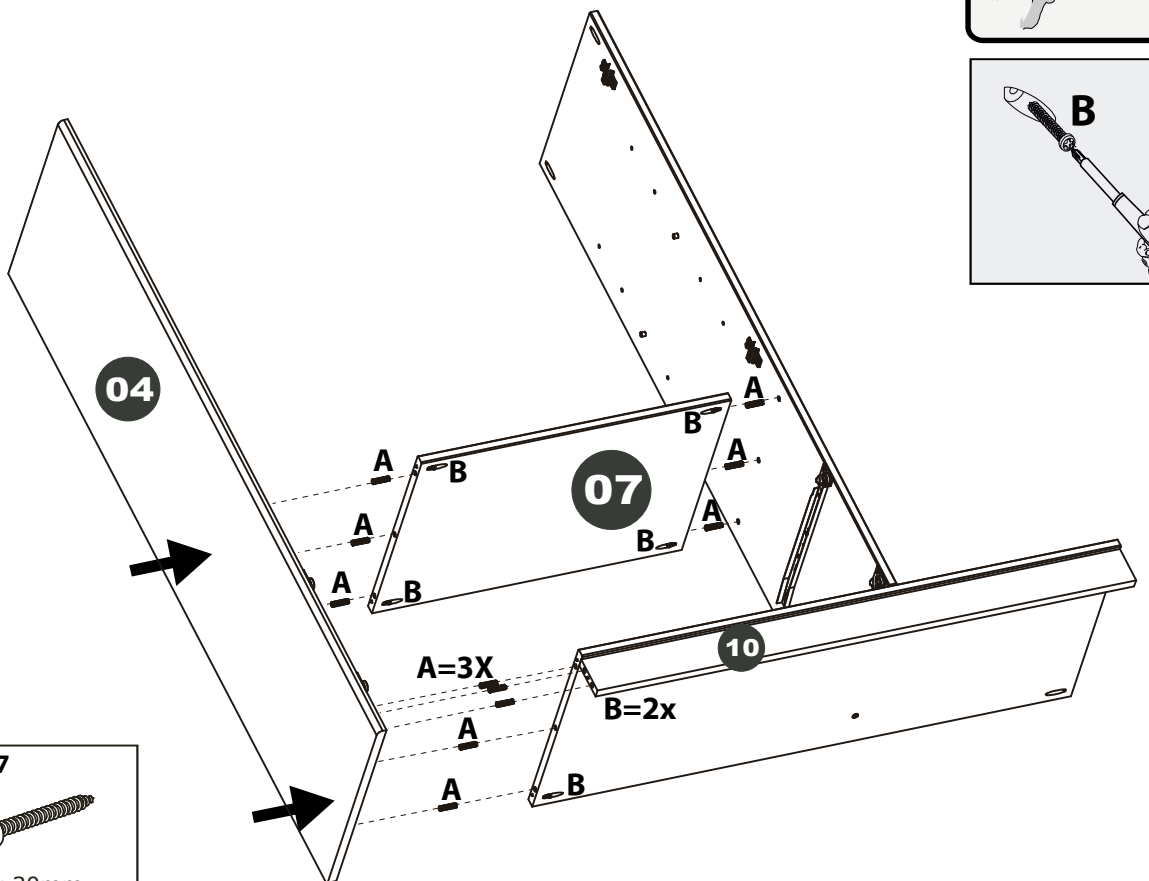
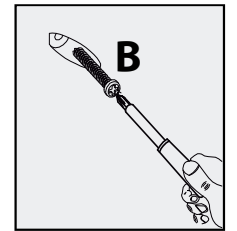
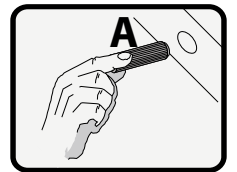
L=02



4,0 x 40mm



6

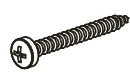


A=11



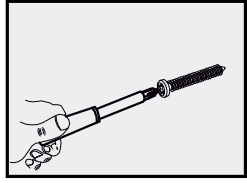
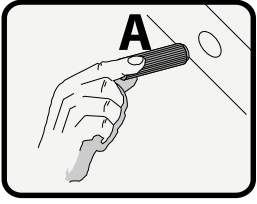
8,0 x 30mm

B=07



3,5 x 30mm

7



B=03

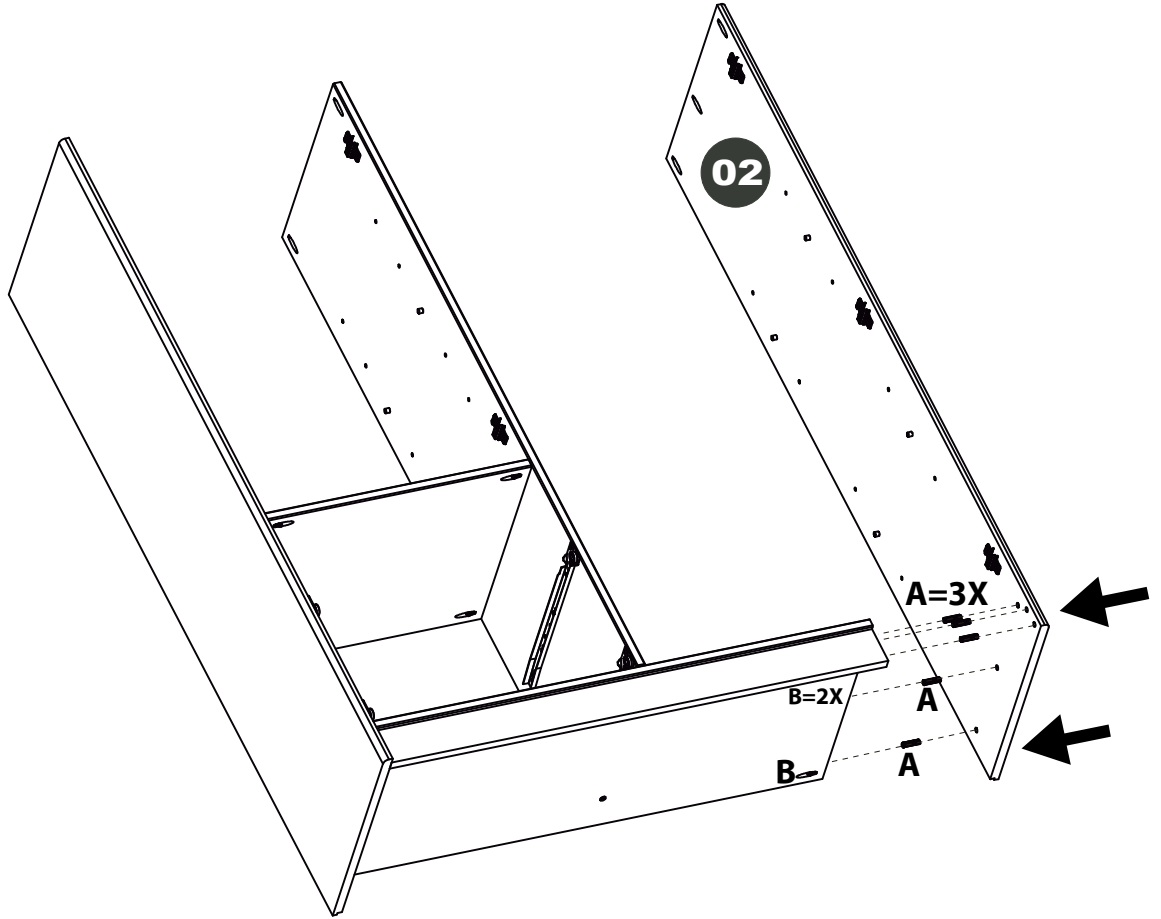


3,5 x 30mm

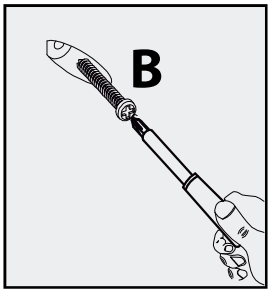
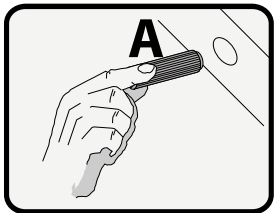
A=05



8,0 x 30mm



8

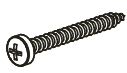


A=09

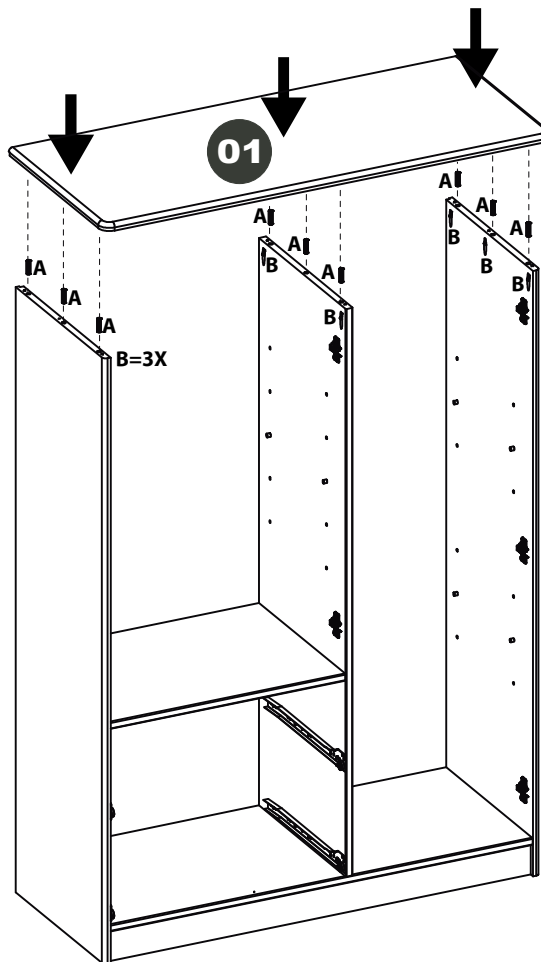


8,0 x 30mm

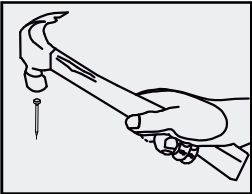
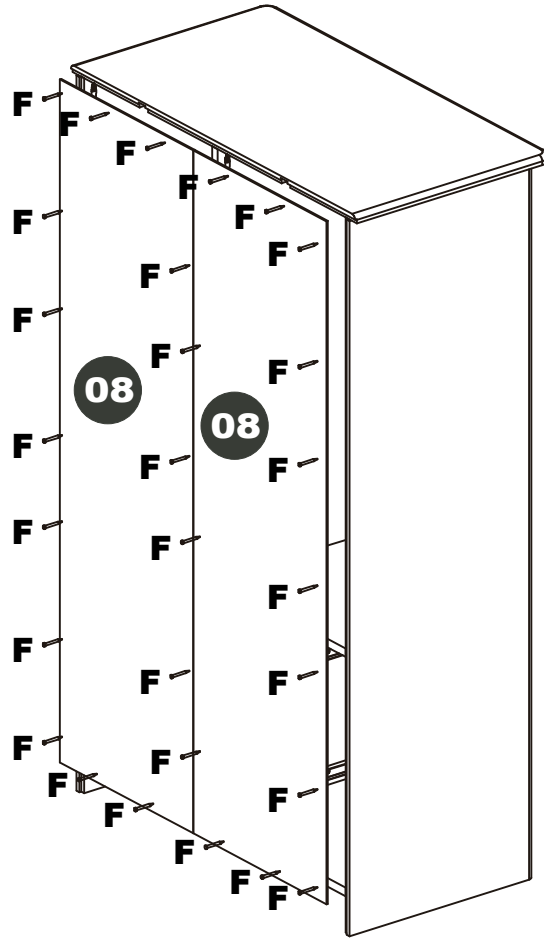
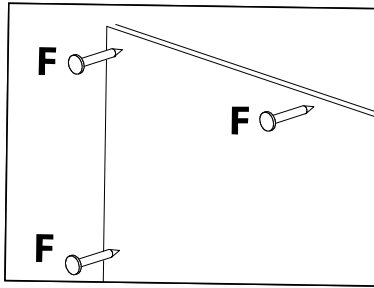
B=08



3,5 x 30mm



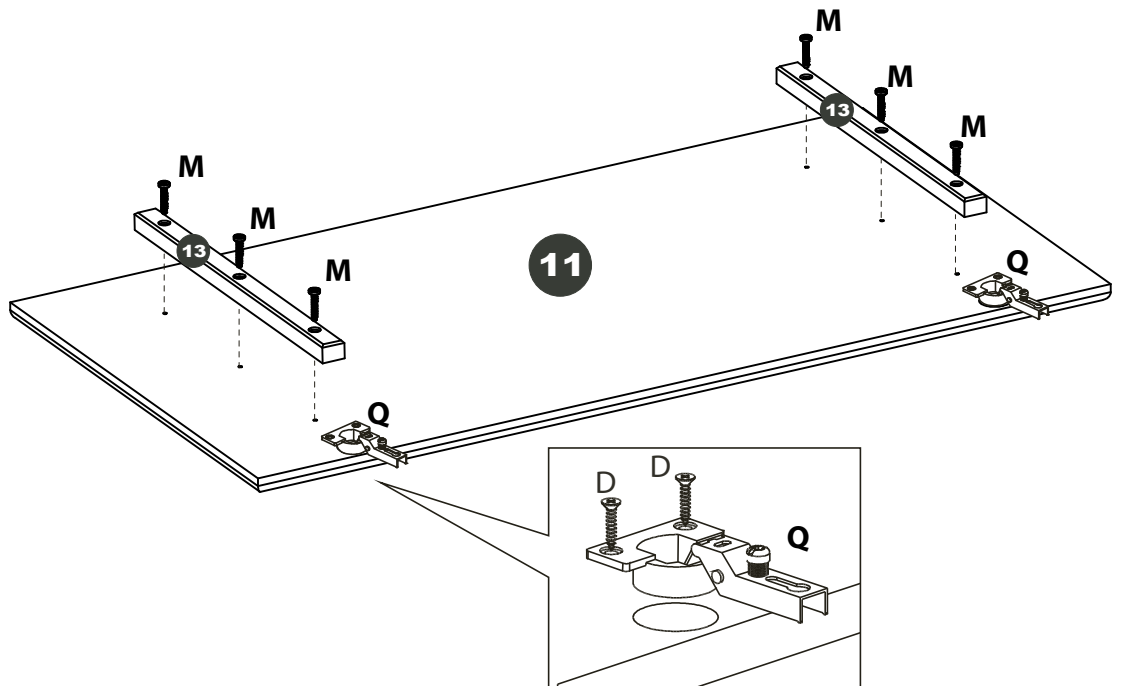
9



F=28



10



D=04



4,0x 16mm

M=06



4,0 x 25mm

Q=02



11

D=06



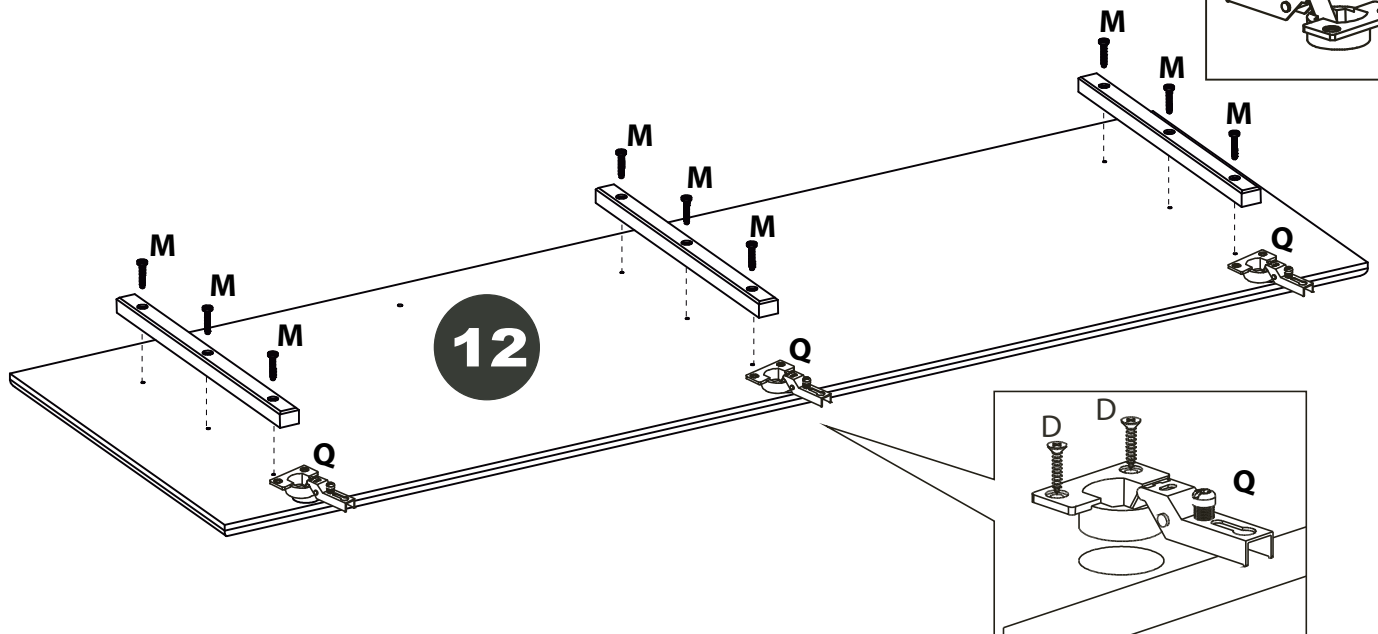
4,0x 16mm

M=09

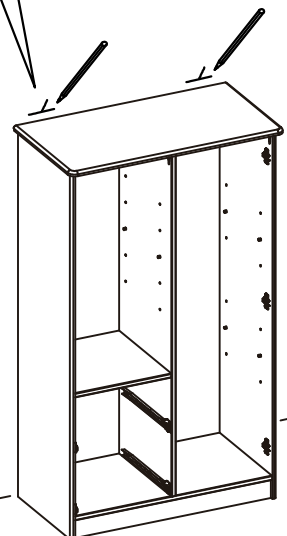
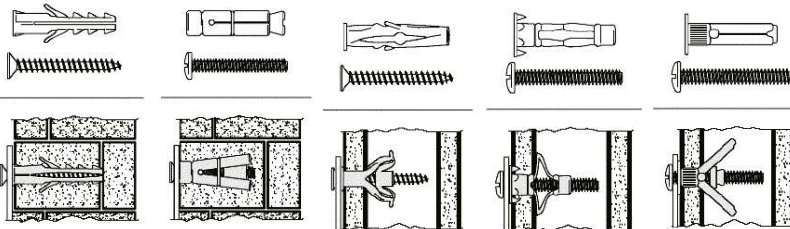
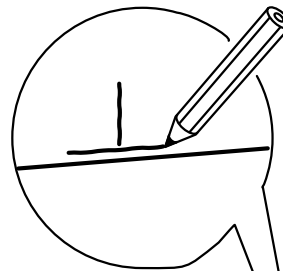
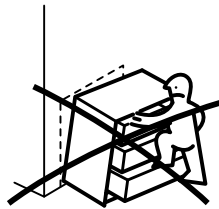
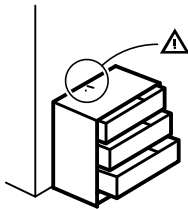


4,0 x 25mm

Q=03



12

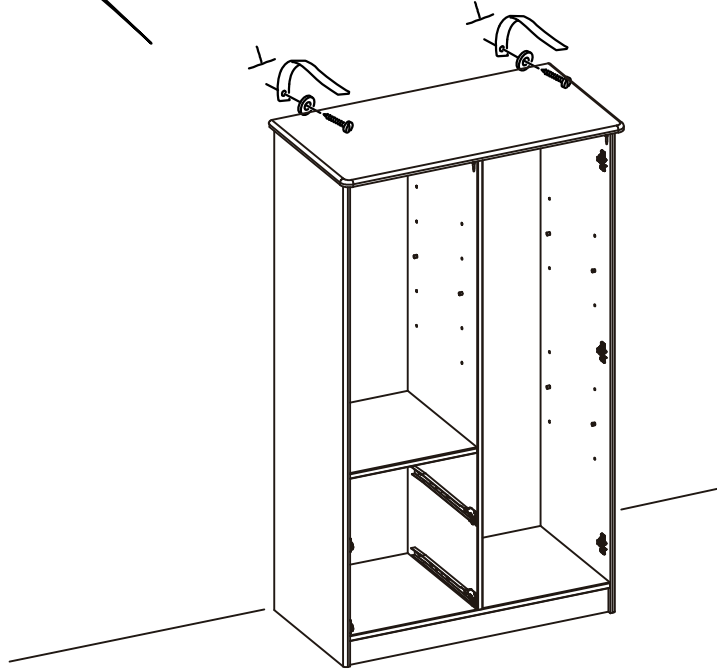
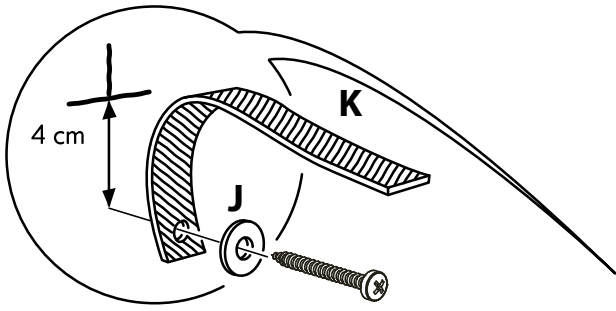


13

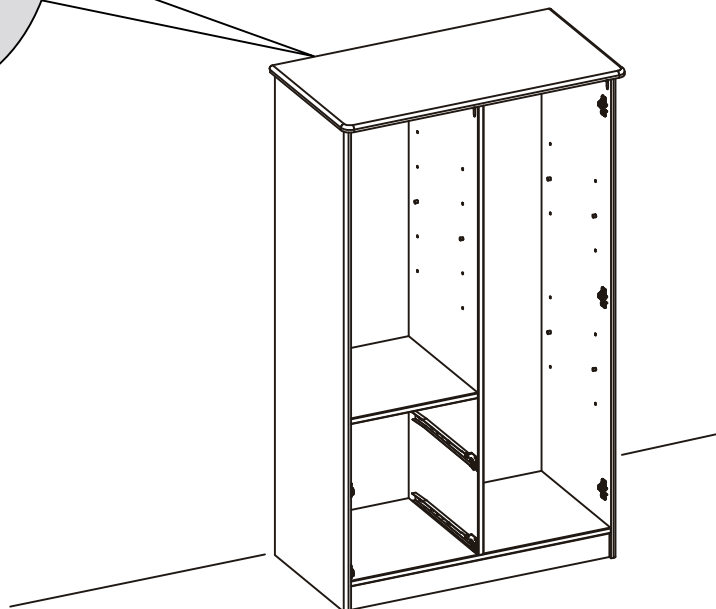
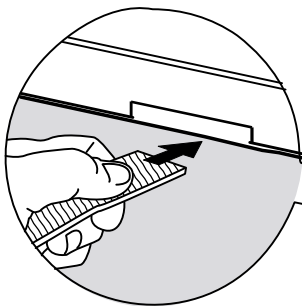
K=02



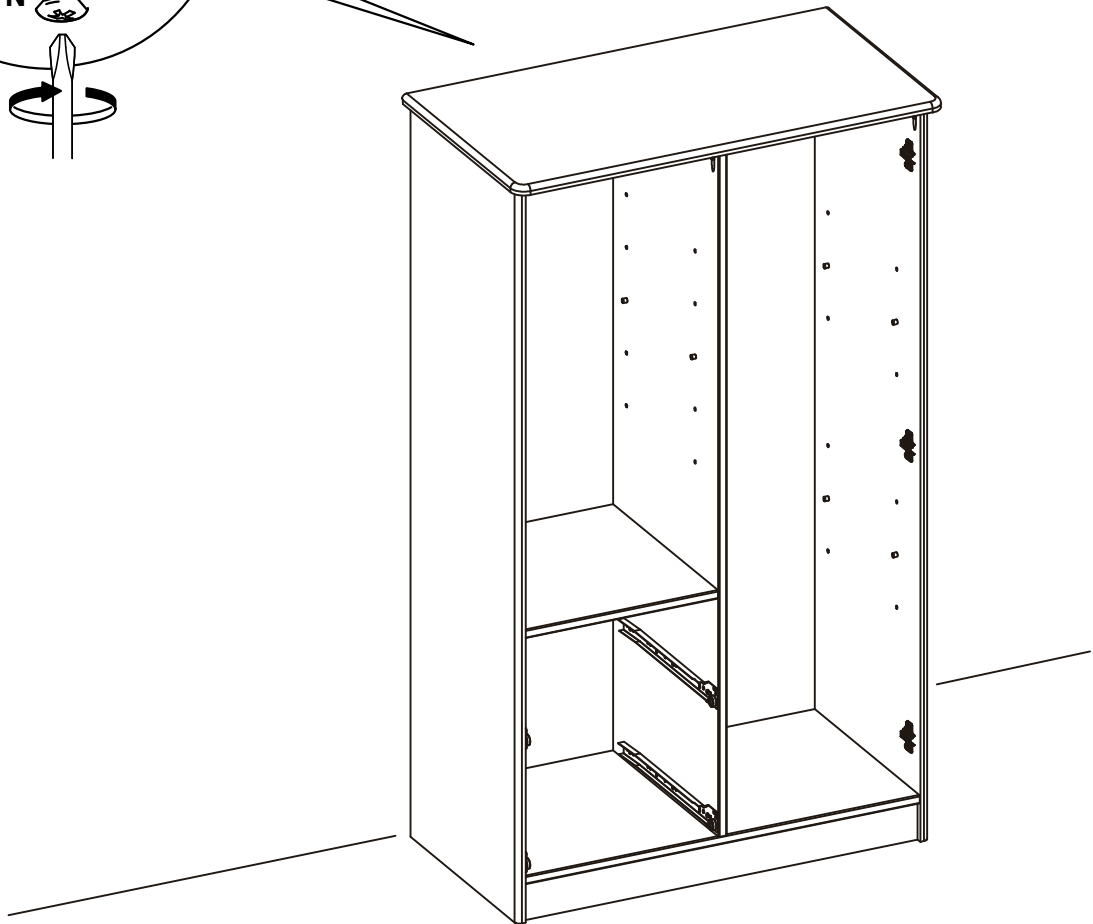
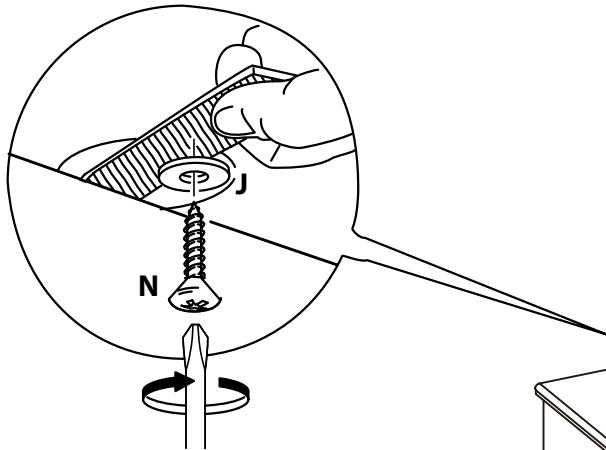
J=02



14



15



J=02



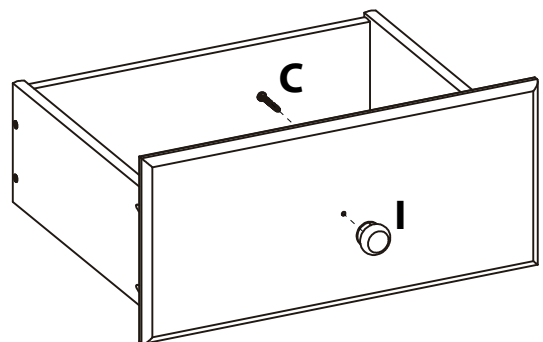
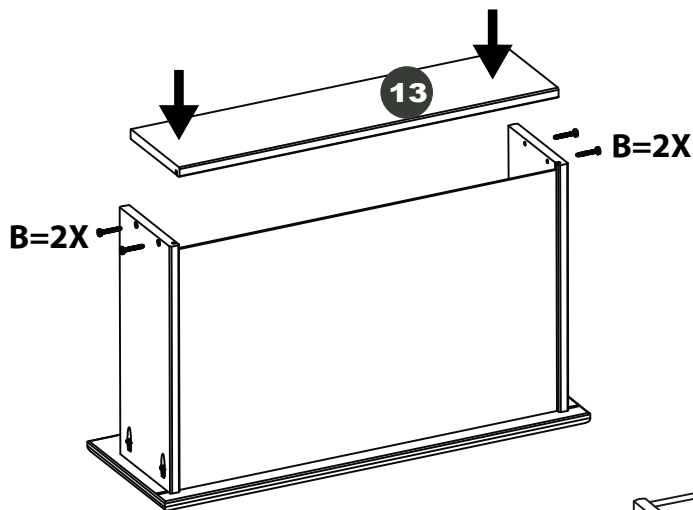
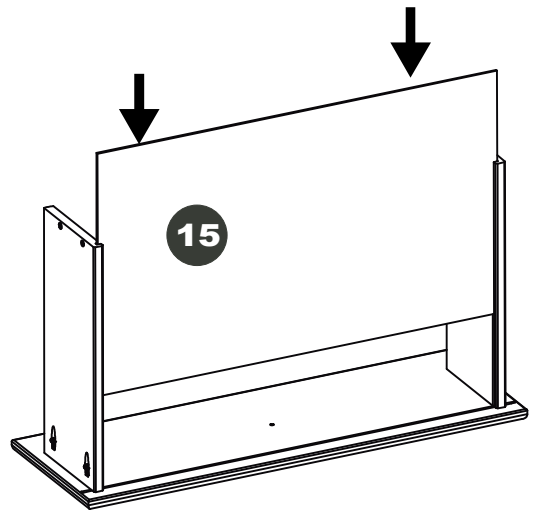
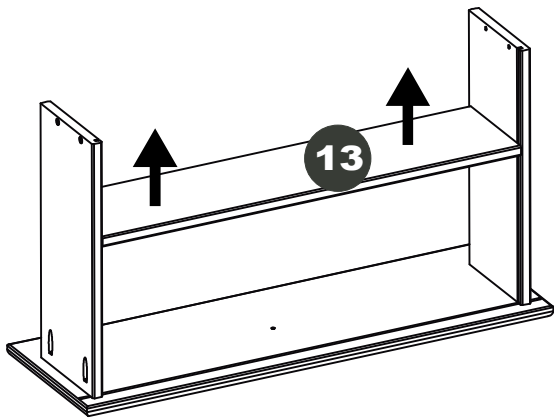
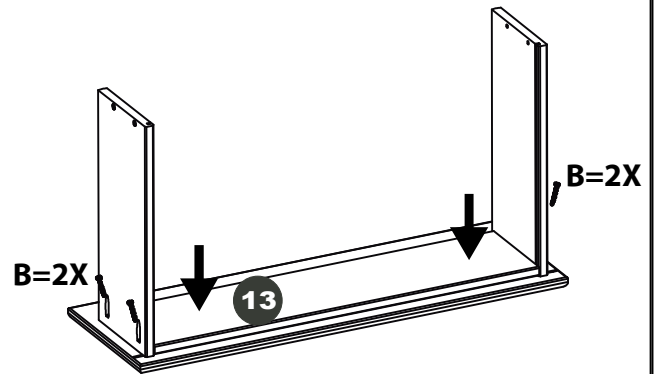
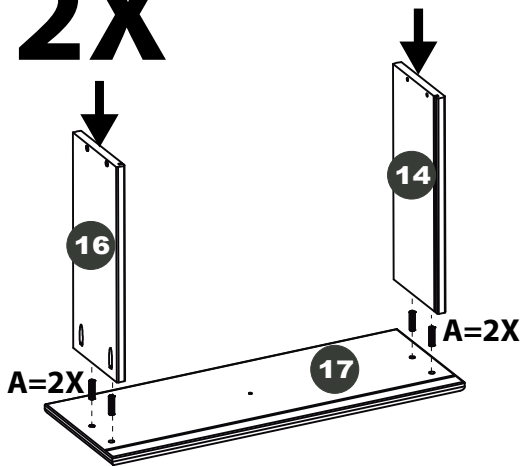
N=02







3,0x 16mm

16

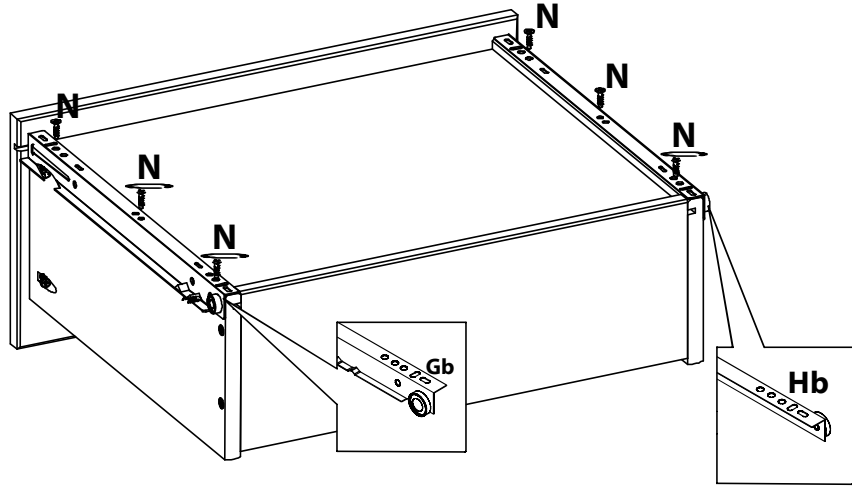
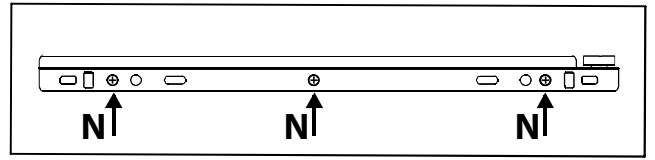
2X



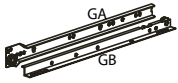
A=08  8,0 x 30mm	B=16  3,5 x 30mm	C=02  4,0 x 40mm	I=02 
---	--	--	--

17

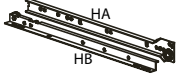
2X



G=02



H=02

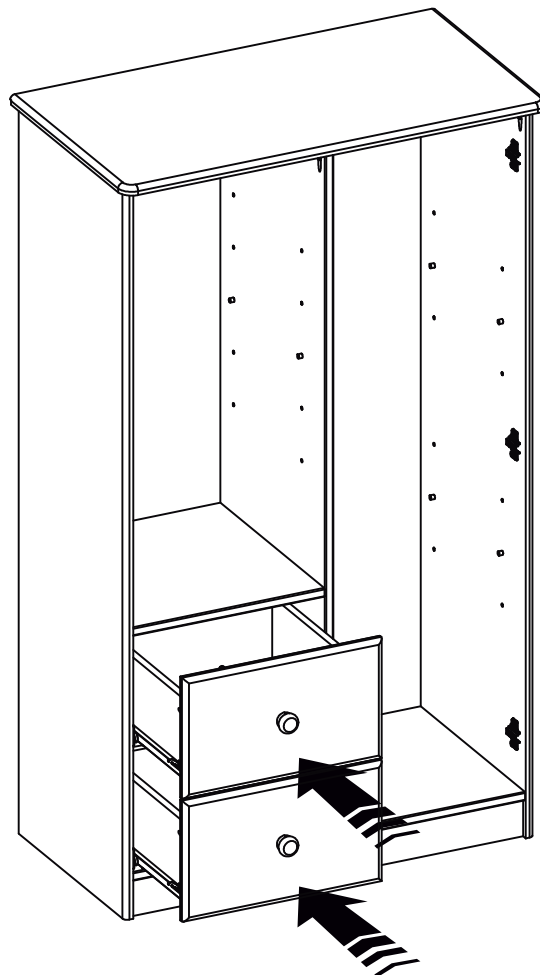
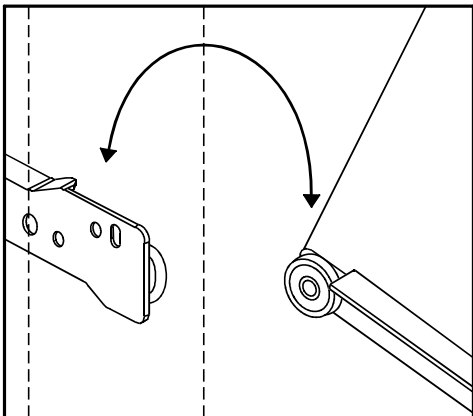


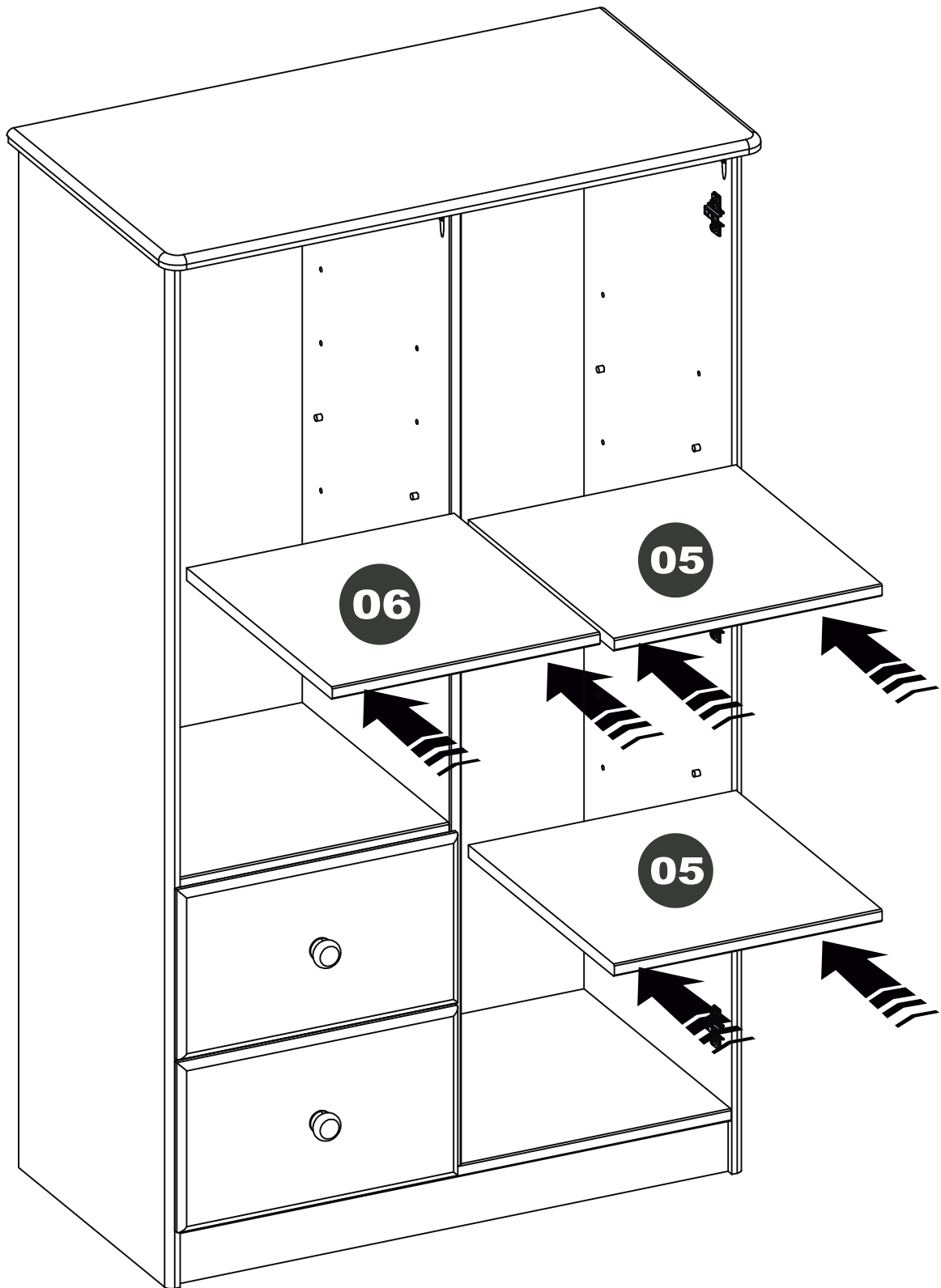
N=12

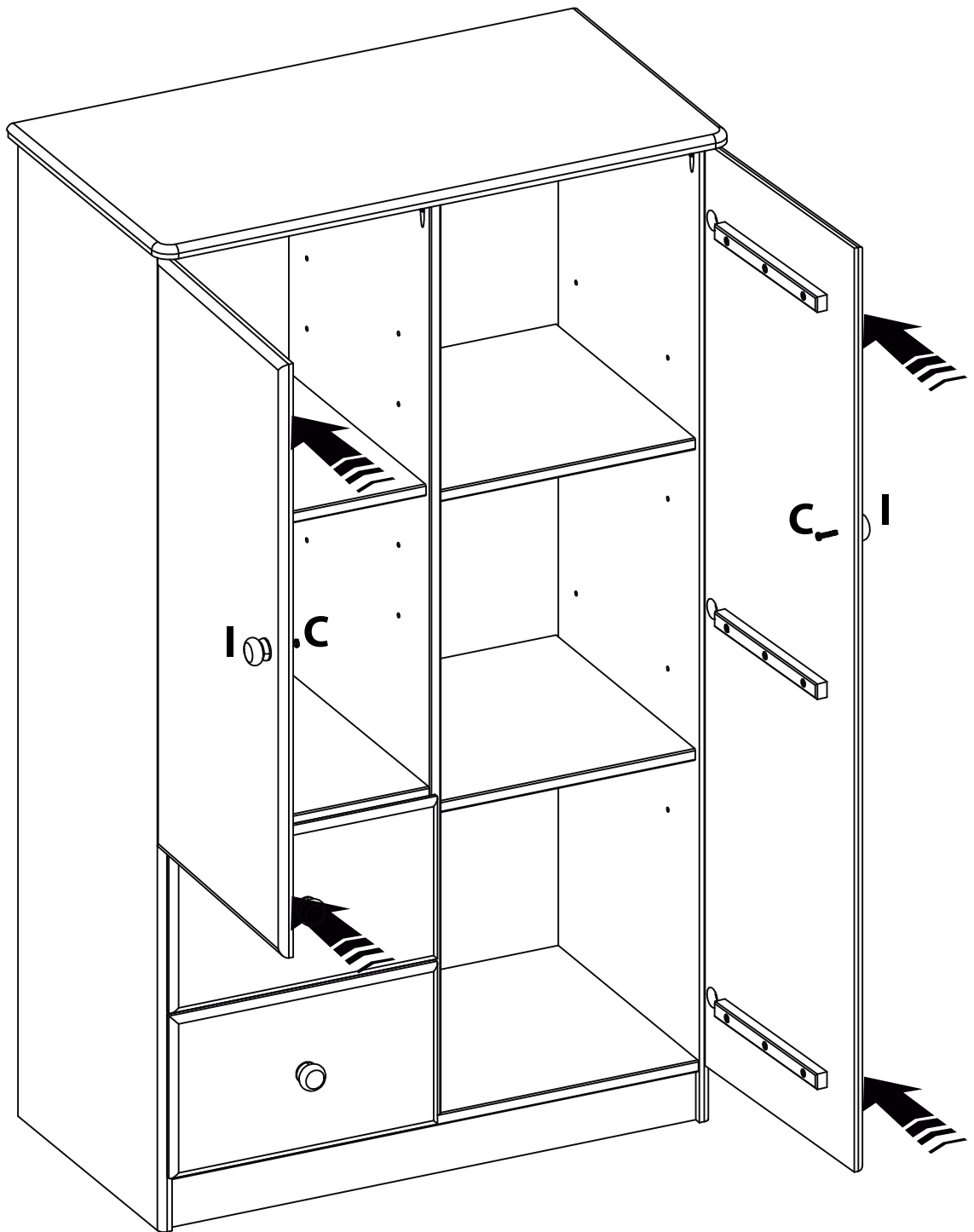




3,0x 16mm

18







C=02  4,0 x 40mm	I=02 
---	--

21

