
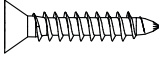

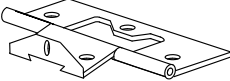

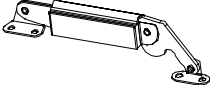
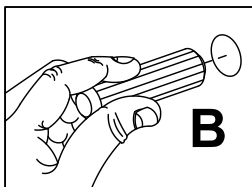
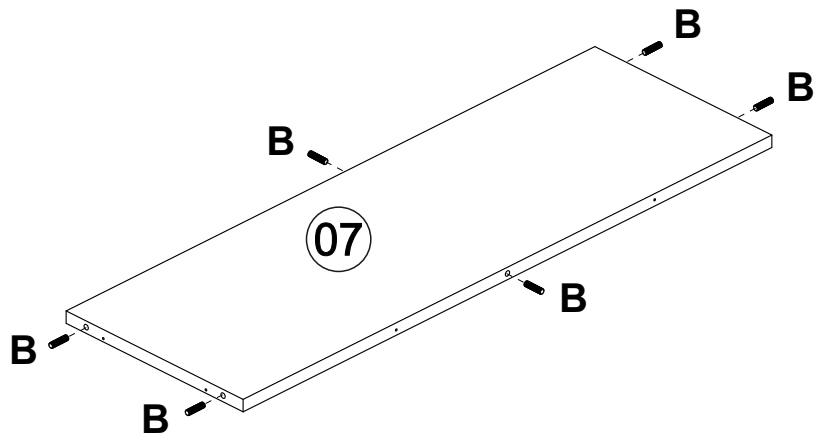
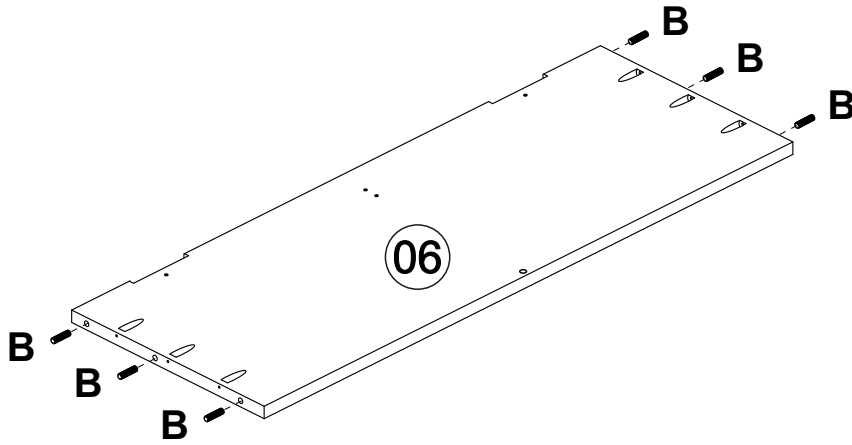
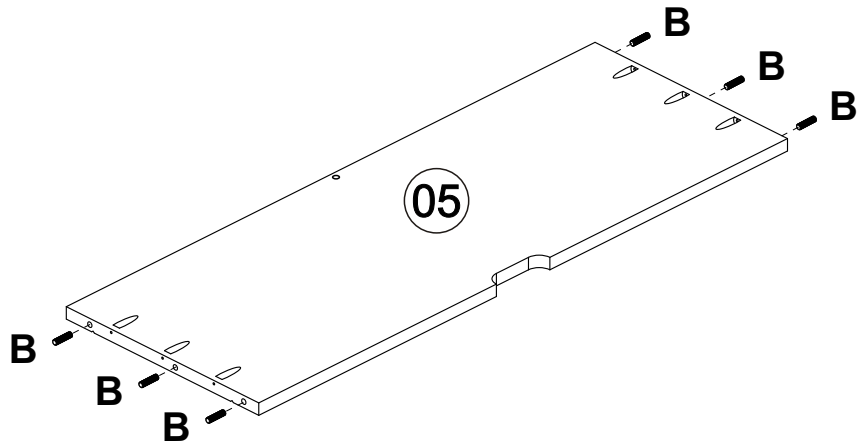
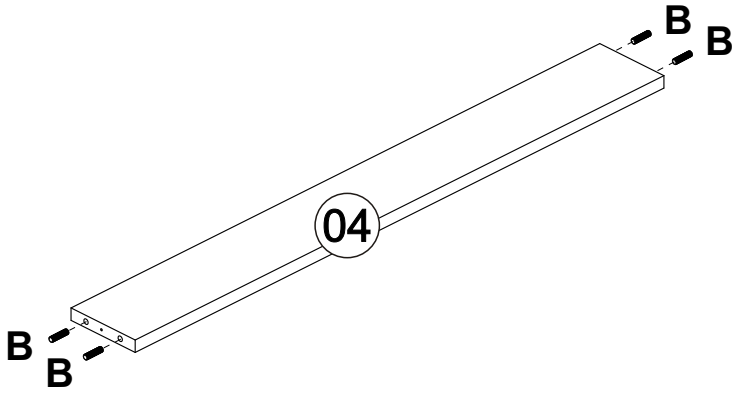



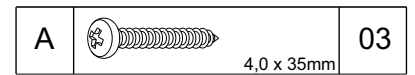
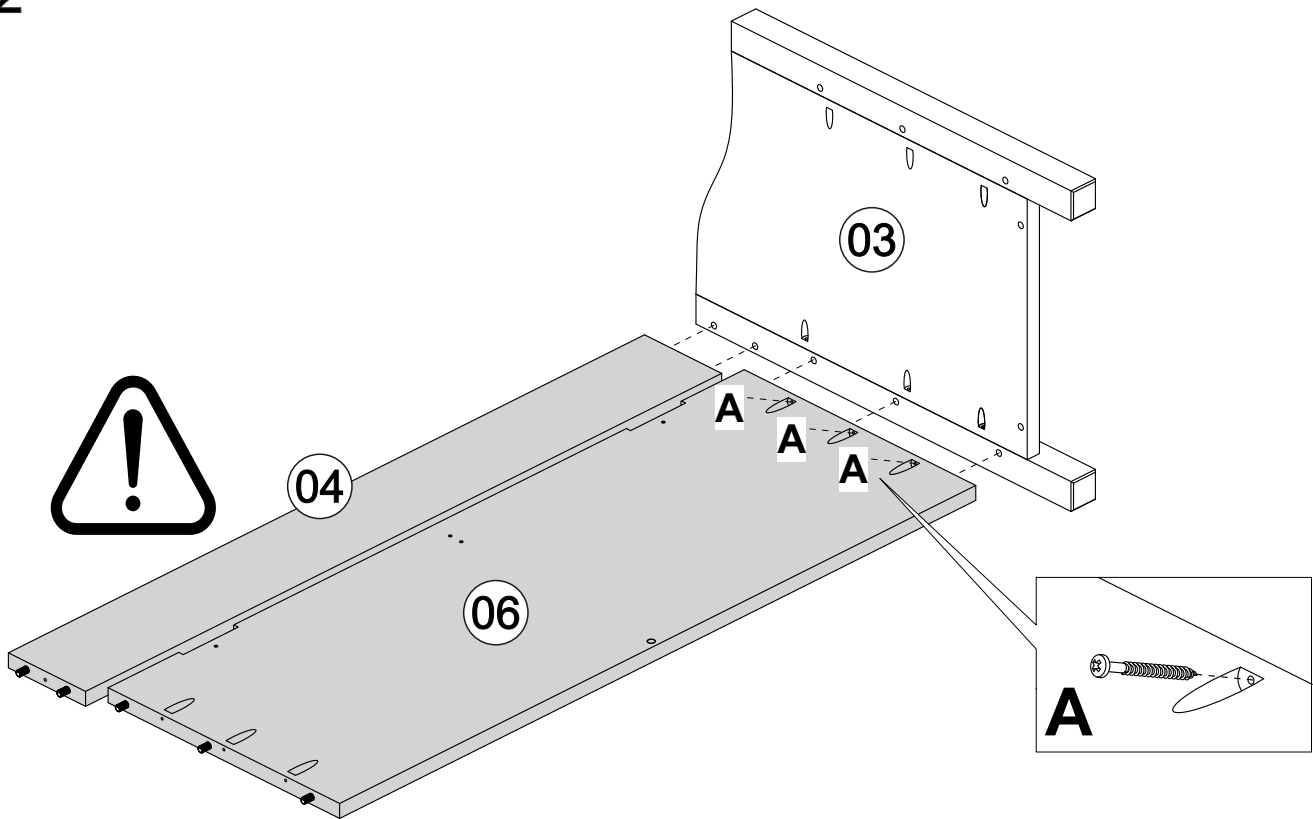
A	 4,0 x 35mm	28	D	 3,5 x 16mm	16
B	 8,0 x 30mm	22	E		02
C		04	F		01

01

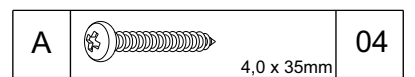
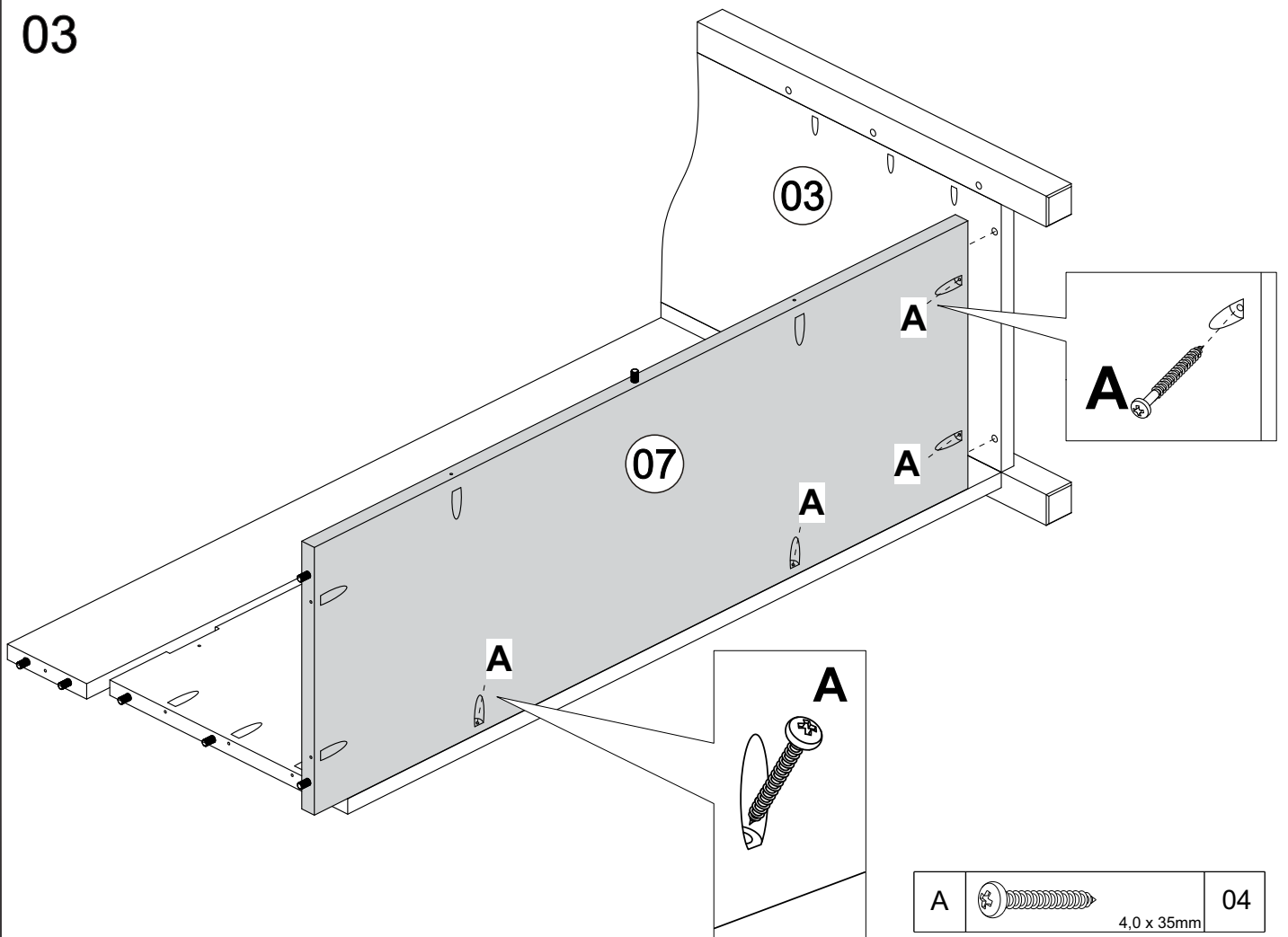


B	 Ø8,0 x 30mm	22
---	--	----

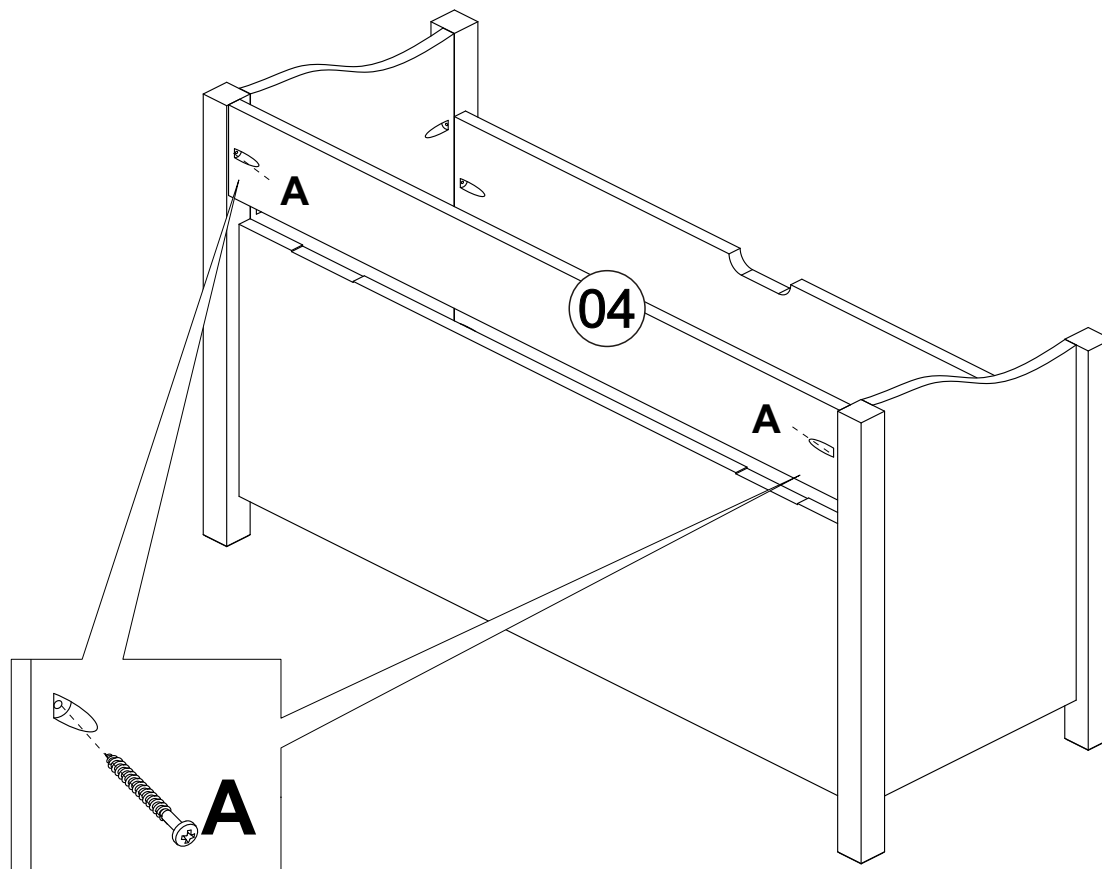
02




03

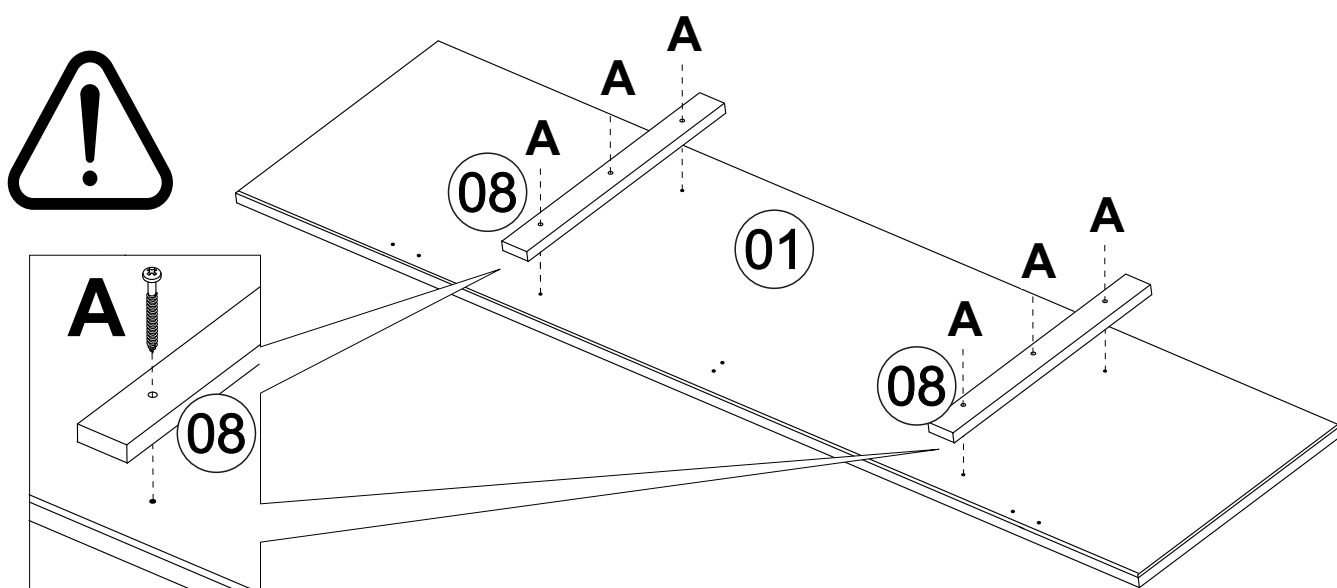


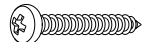
06



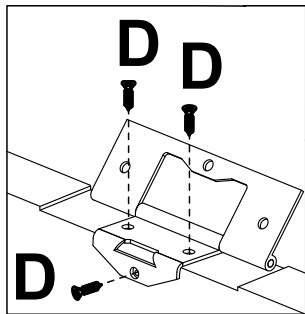
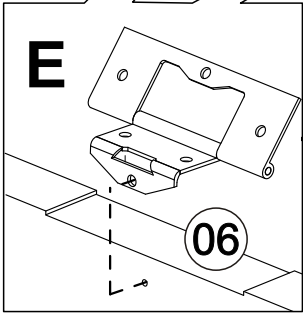
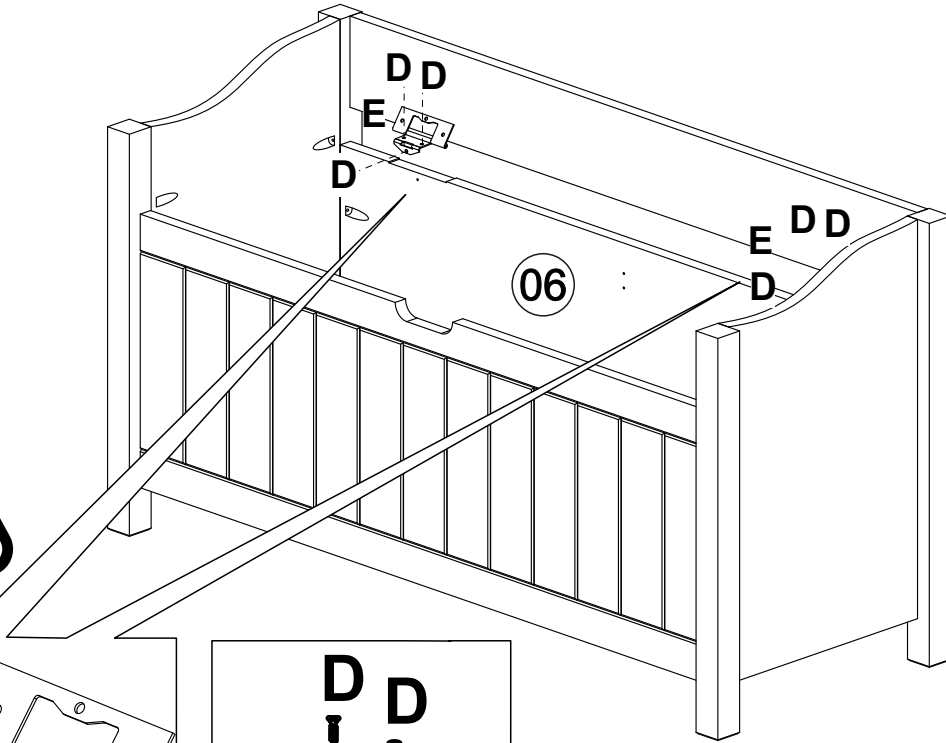
A		4,0 x 35mm	02
---	---	------------	----

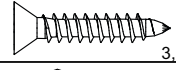
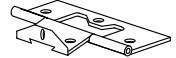
07



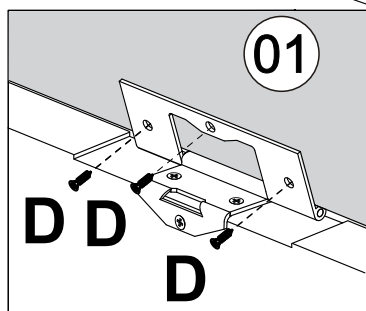
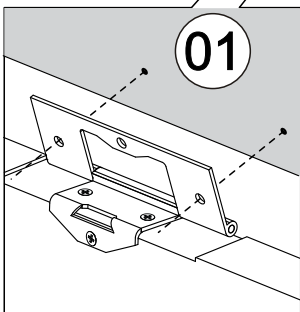
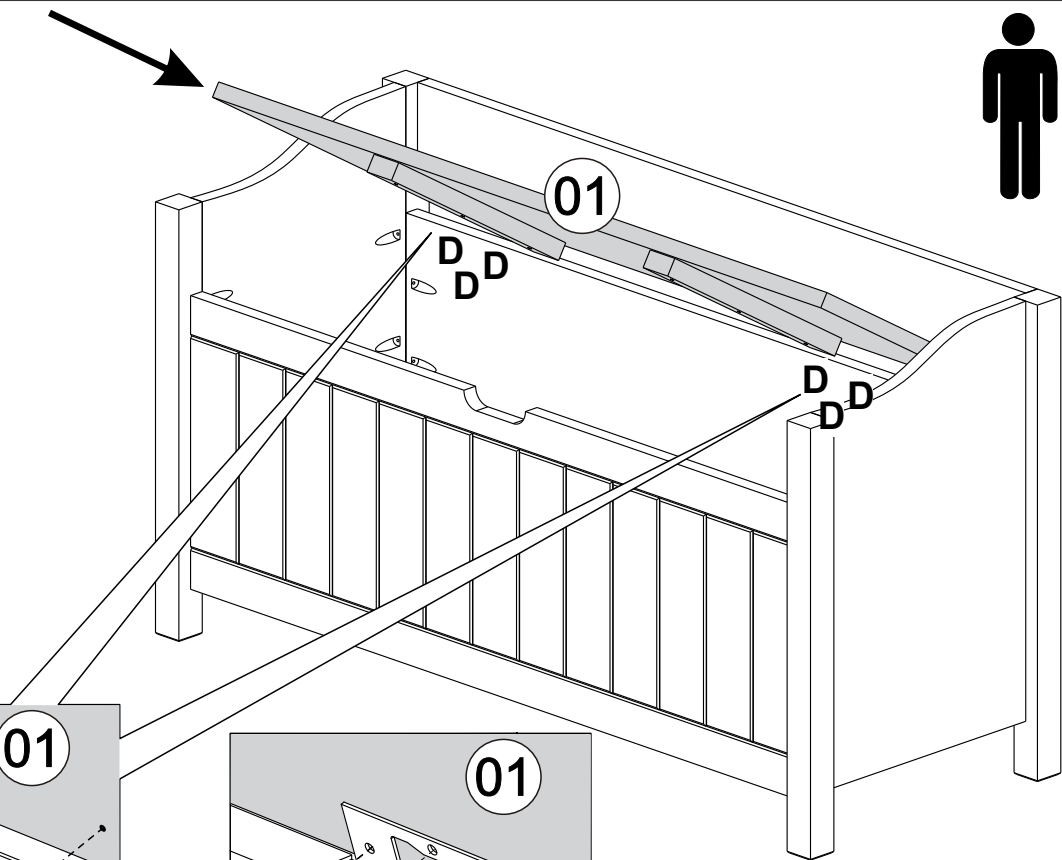
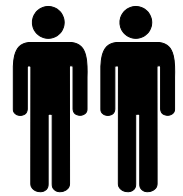
A		4,0 x 35mm	06
---	---	------------	----

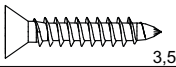
08

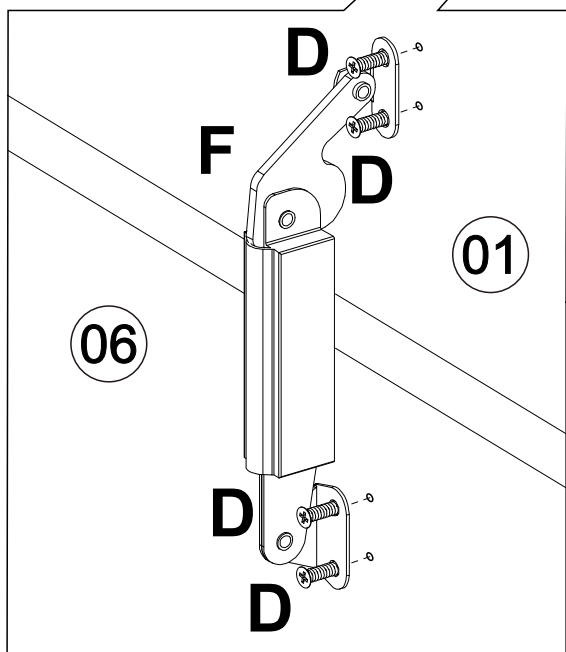
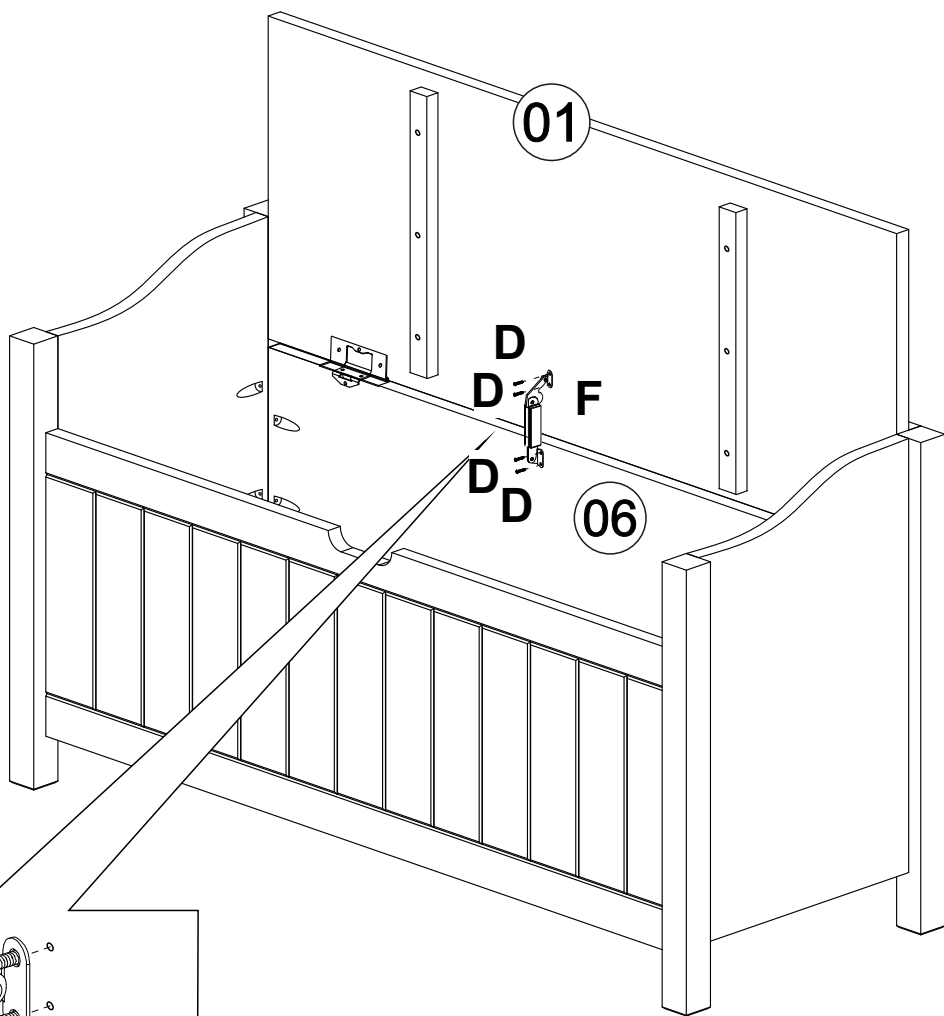


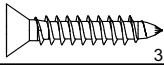

D	 3,5 x 16mm	06
E		02

09



D	 3,5 x 16mm	06
---	--	----



D	 3,5 x 16mm	04
F		01