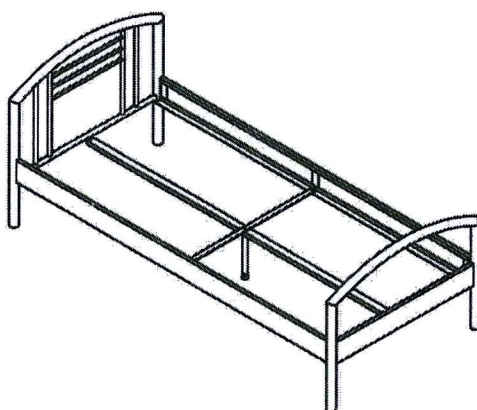
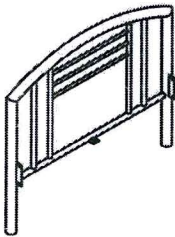
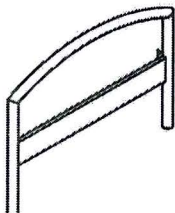
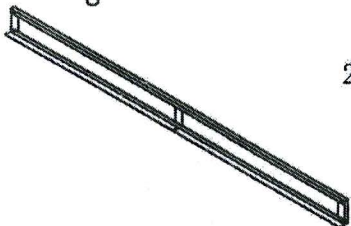












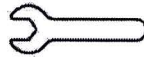


# 3021

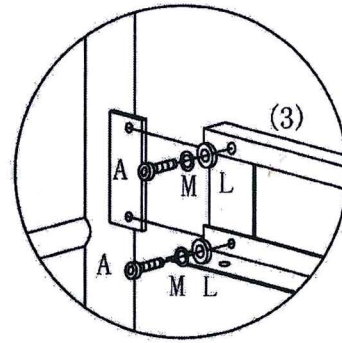
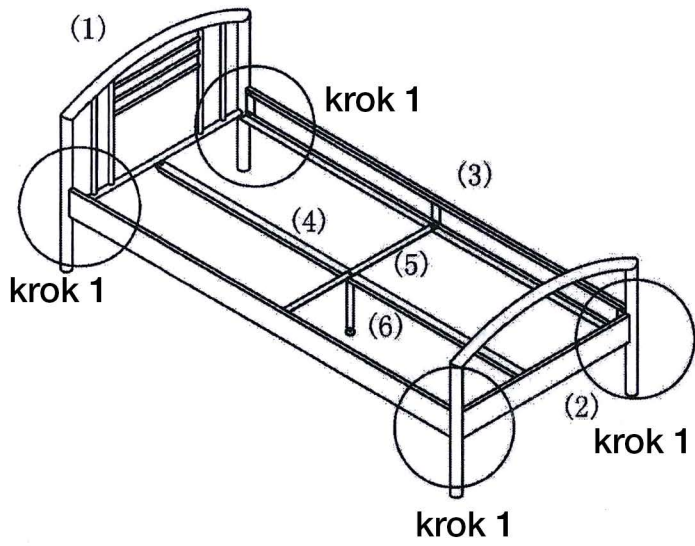


## SEZNAM DÍLŮ

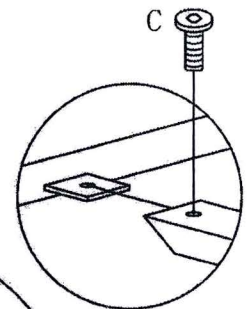
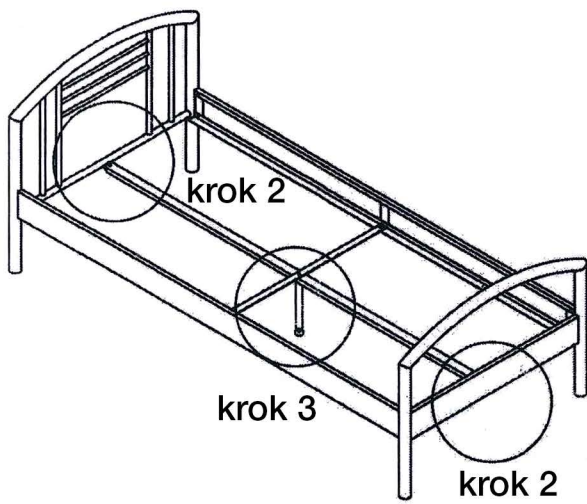
- |     |   |      |
|-----|---|------|
| (1) |   | 1 ks |
| (2) |  | 1 ks |
| (3) |  | 2 ks |
| (4) |  | 1 ks |
| (5) |  | 1 ks |
| (6) |  | 1 ks |

## SPOJOVACÍ MATERIÁL

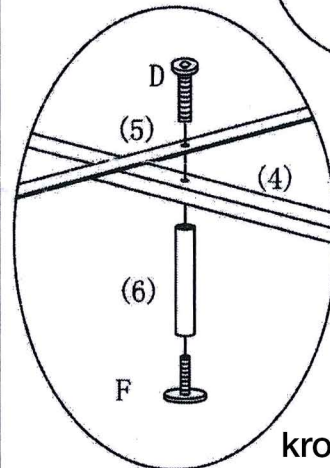
- |   |  |             |      |
|---|--|-------------|------|
| A |   | M8*16       | 8 ks |
| B |  | M6*16       | 2 ks |
| C |  | M6*12       | 2 ks |
| D |  | M6*40       | 1 ks |
| E |  | matice M6   | 2 ks |
| F |  | Ø30*40*M6   | 1 ks |
| H |  | 5MM imbus   | 1 ks |
| I |  | T1.5*10     | 1 ks |
| L |   | T1.5*18*8.5 | 8 ks |
| M |   | T1.5*13*8.5 | 8 ks |



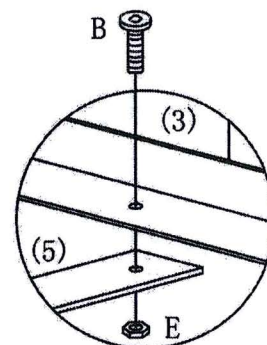
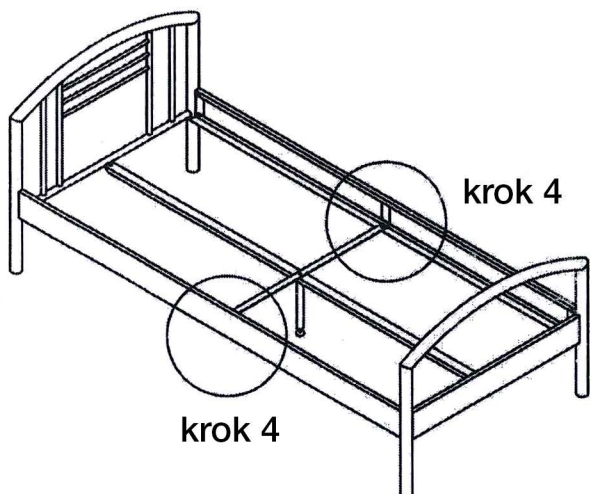
krok 1



krok 2



krok 3



krok 4