

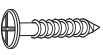
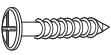
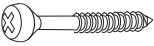
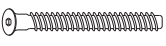
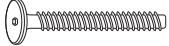

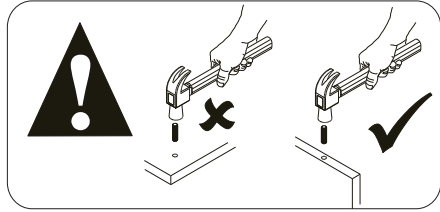
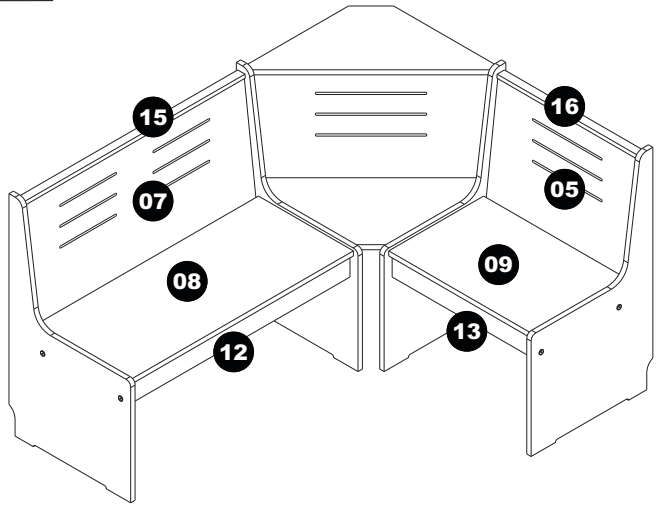
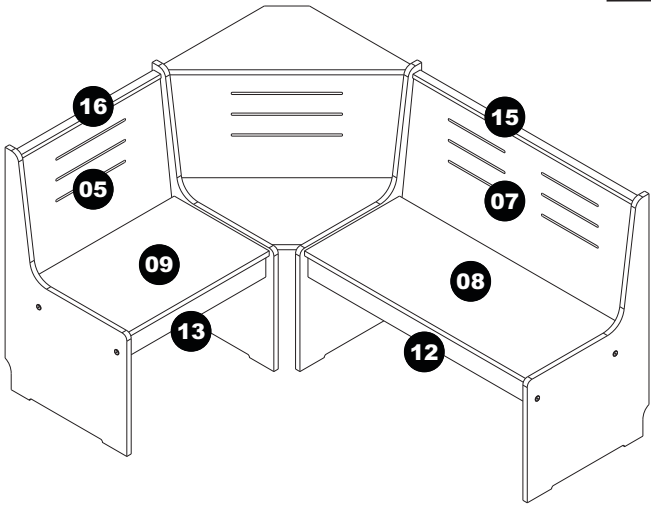
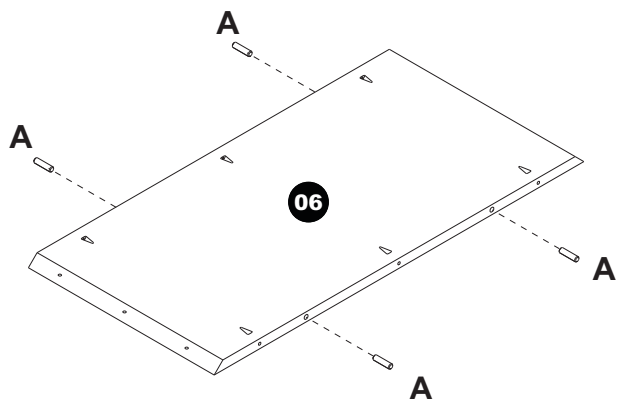
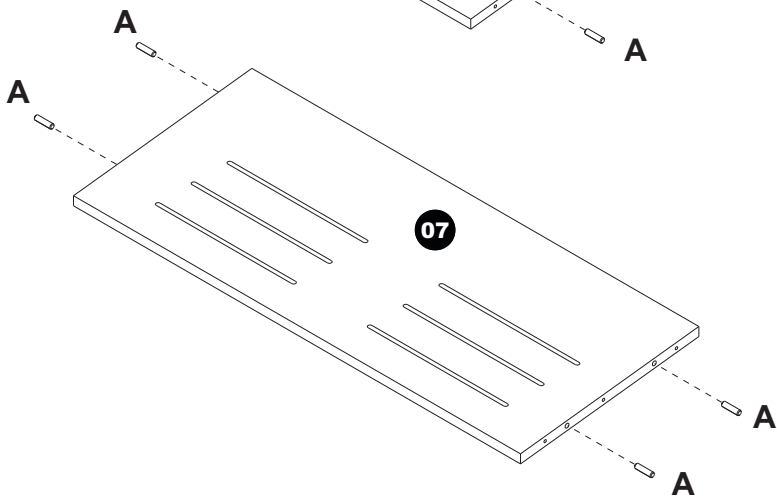
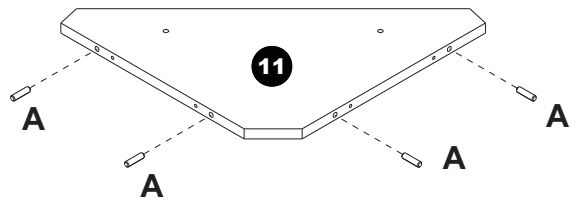
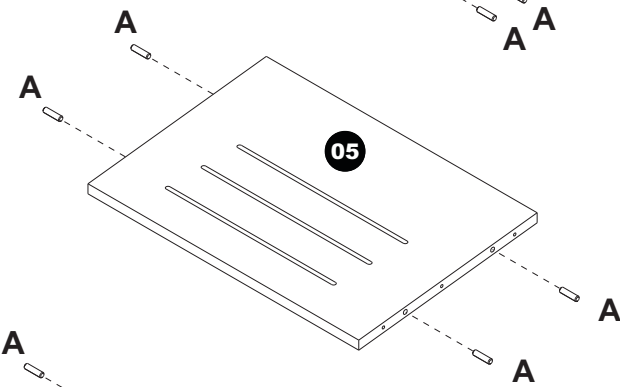
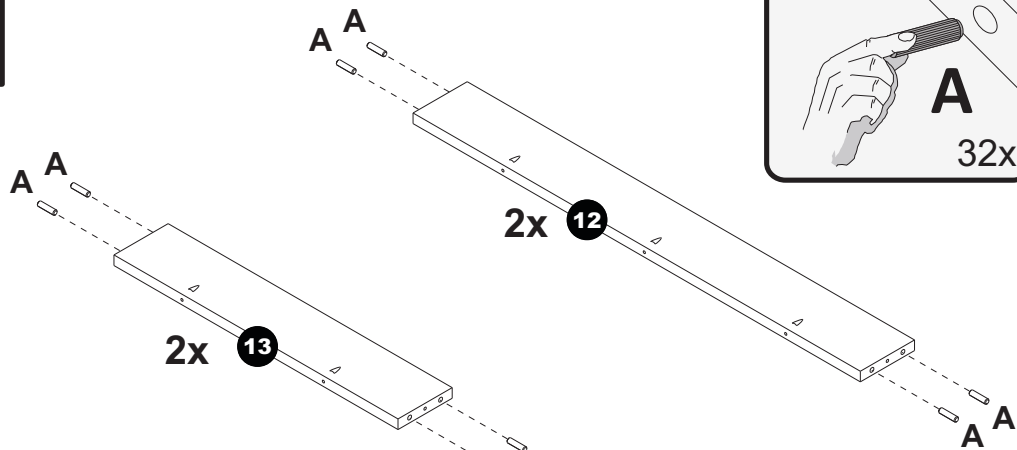
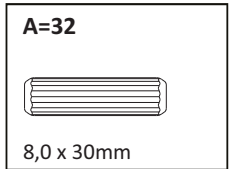
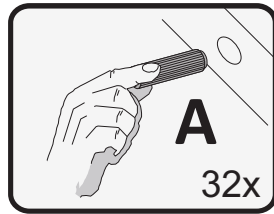


A=32  8,0 x 30mm	B=08  8,0 x 50mm	C=06  4,0 x 25mm	D=35  4,0 x 30mm
E=44  4,0 x 35mm	F=04  7,0 x 50mm	G=16  7,0 x 50mm	H=01 

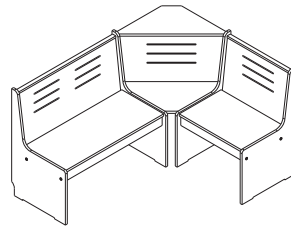
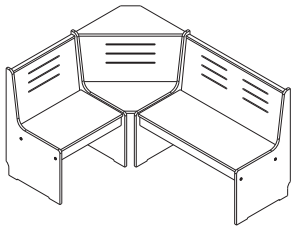
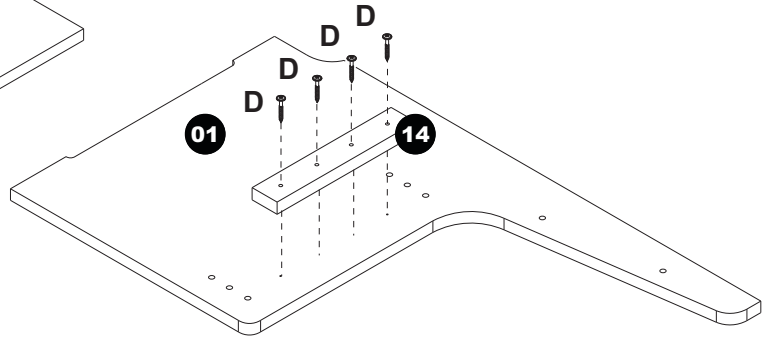
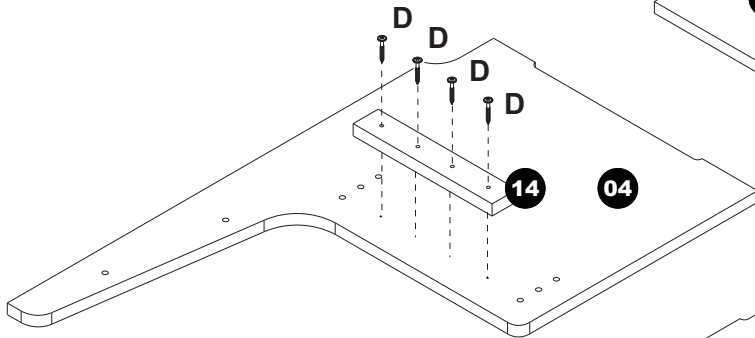
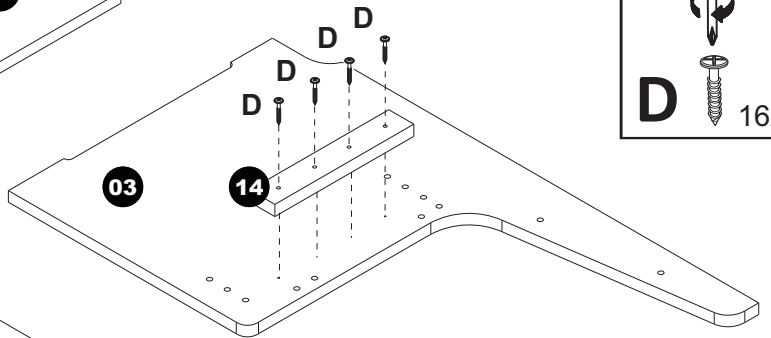
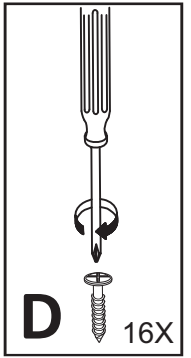
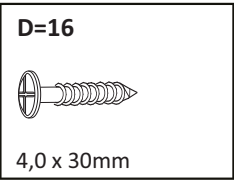
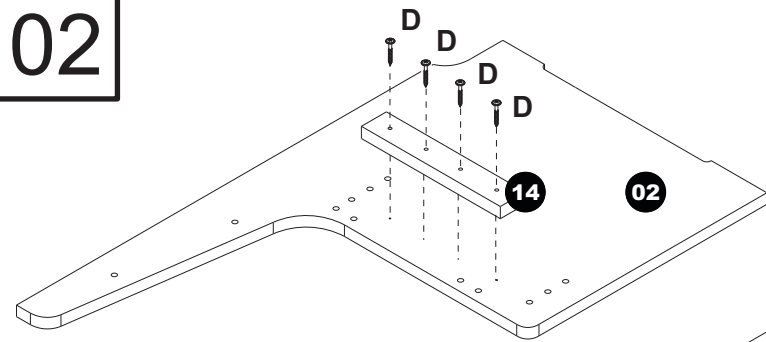




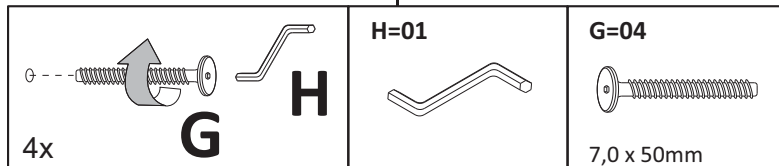
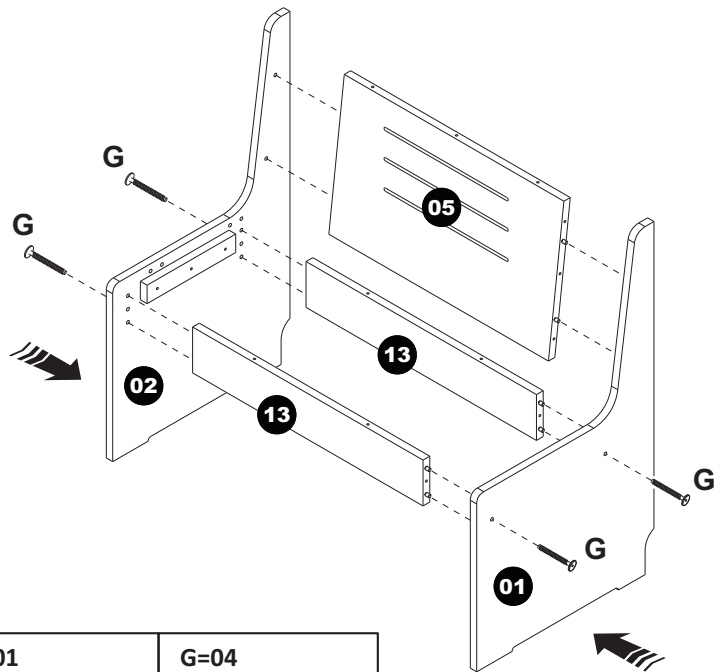
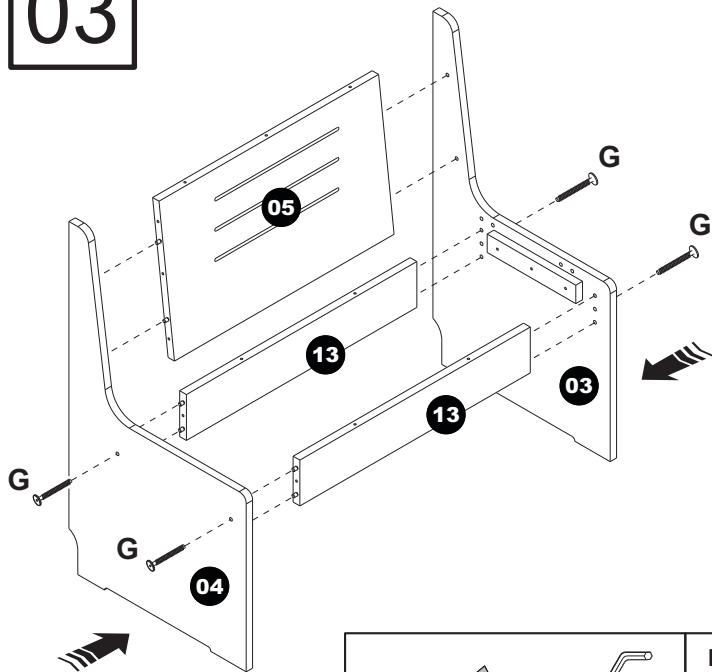
01



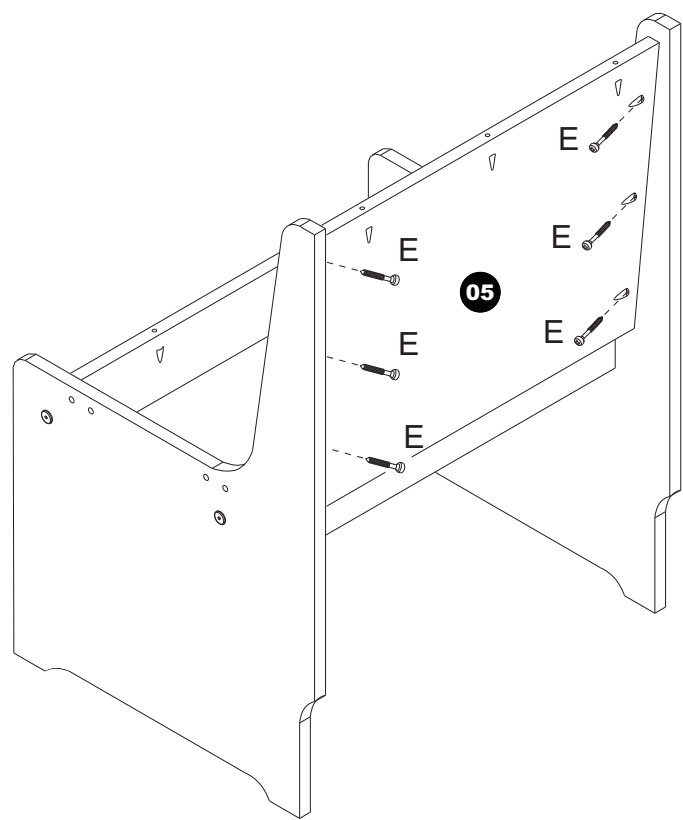
02



03

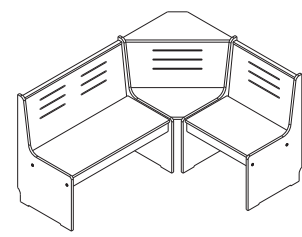
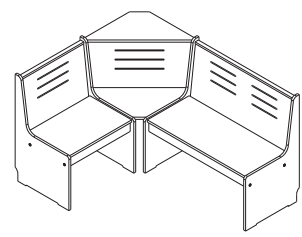
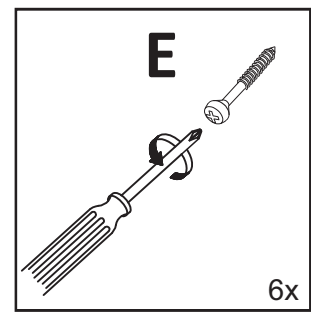


04



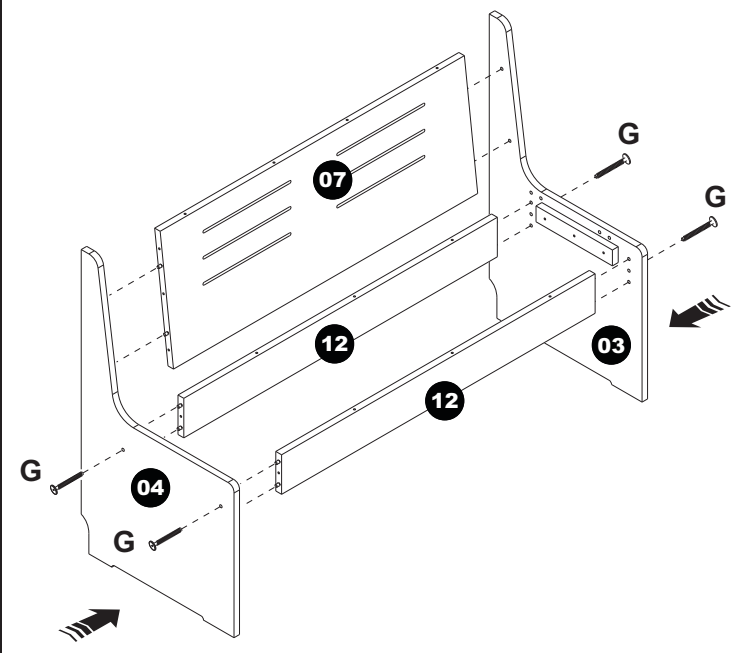
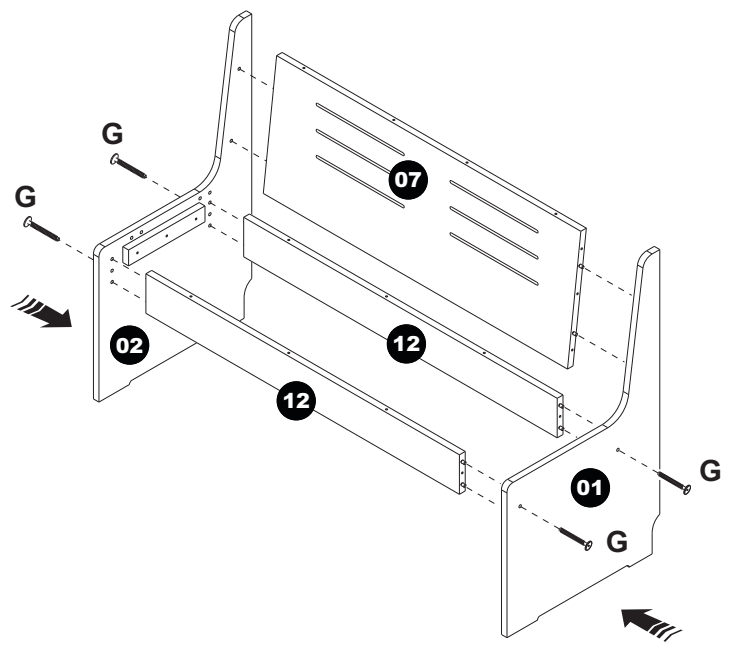
E=06

4,0 x 35mm



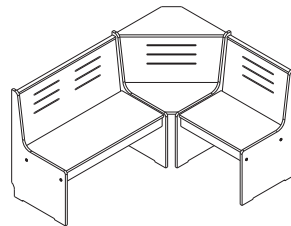
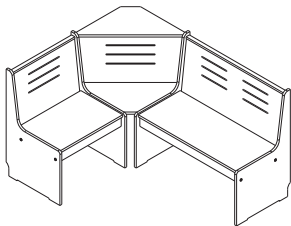
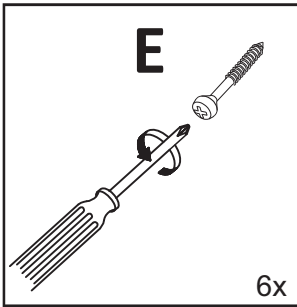
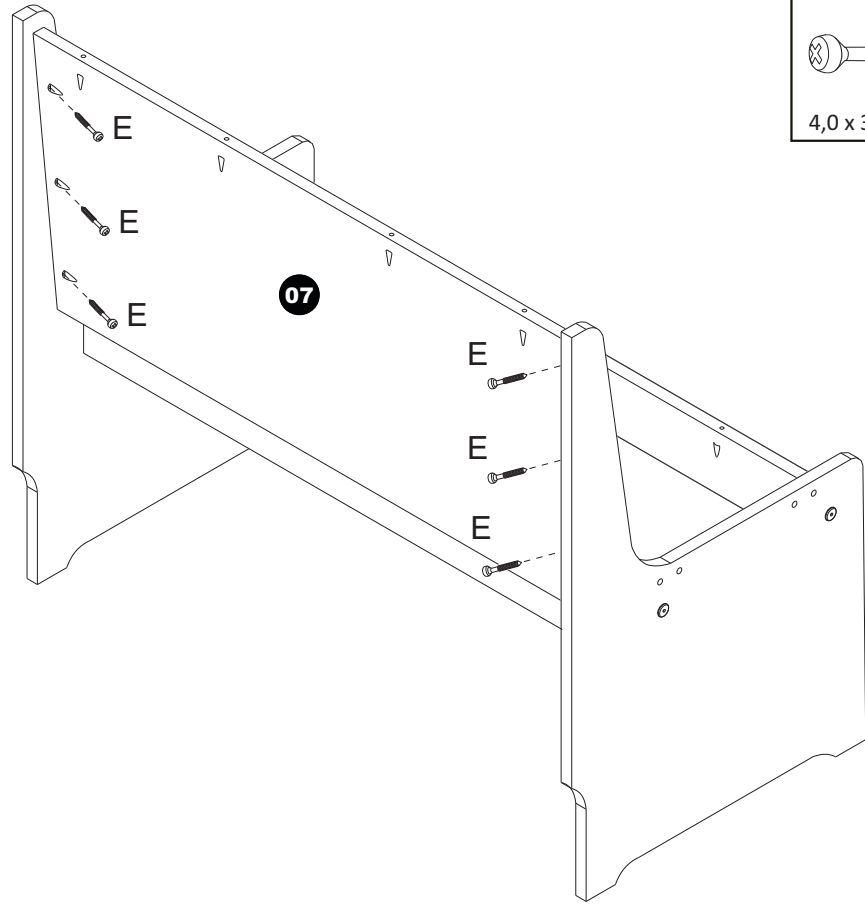
05

<p>4x</p> <p>G</p> <p>H</p>	<p>H=01</p>	<p>G=04</p> <p>7,0 x 50mm</p>
-----------------------------	-------------	-------------------------------



06

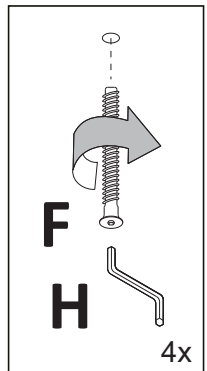
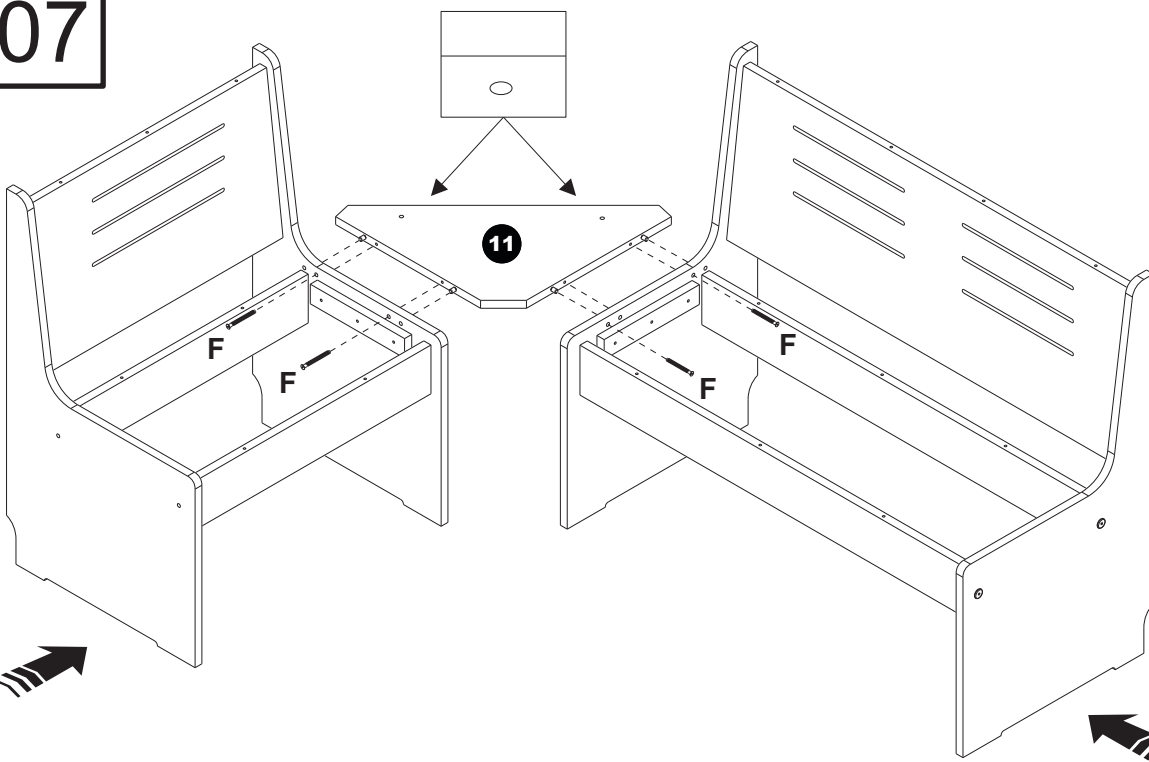
E=06
4,0 x 35mm



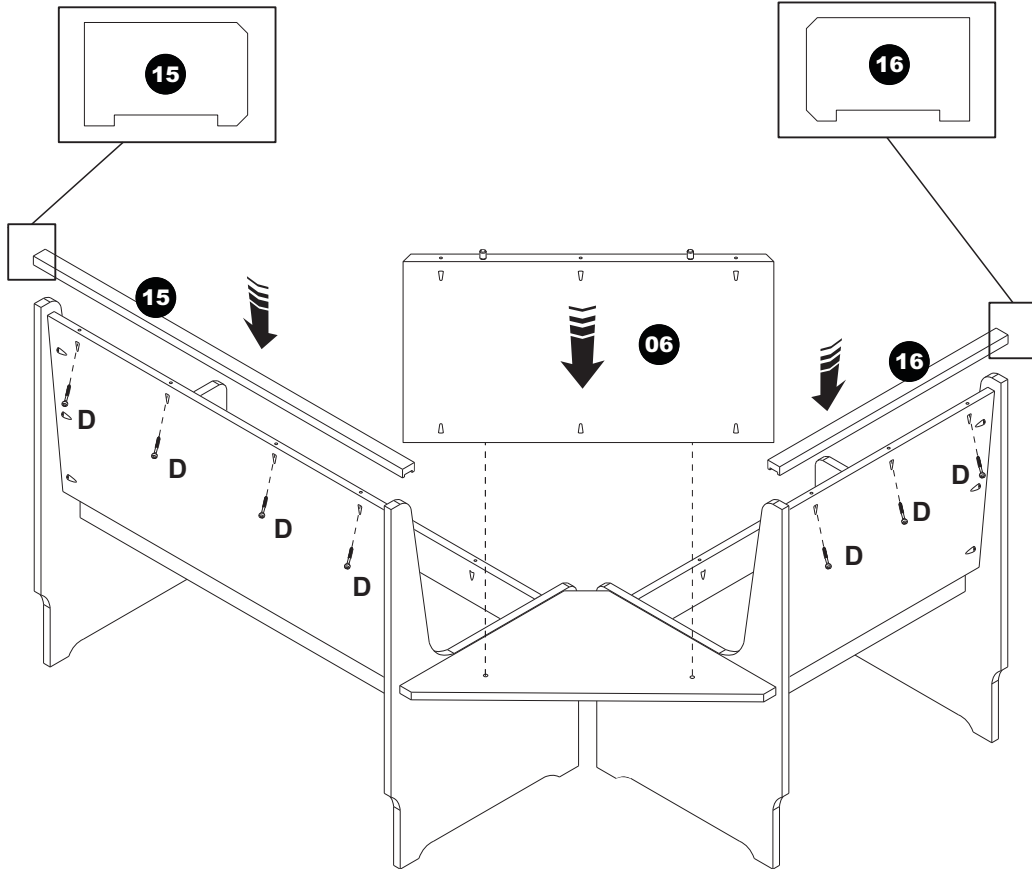
07

F=04
7,0 x 50mm

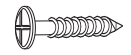
H=01



08

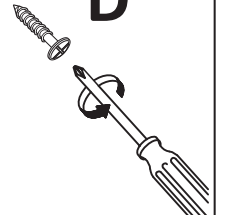


D=07



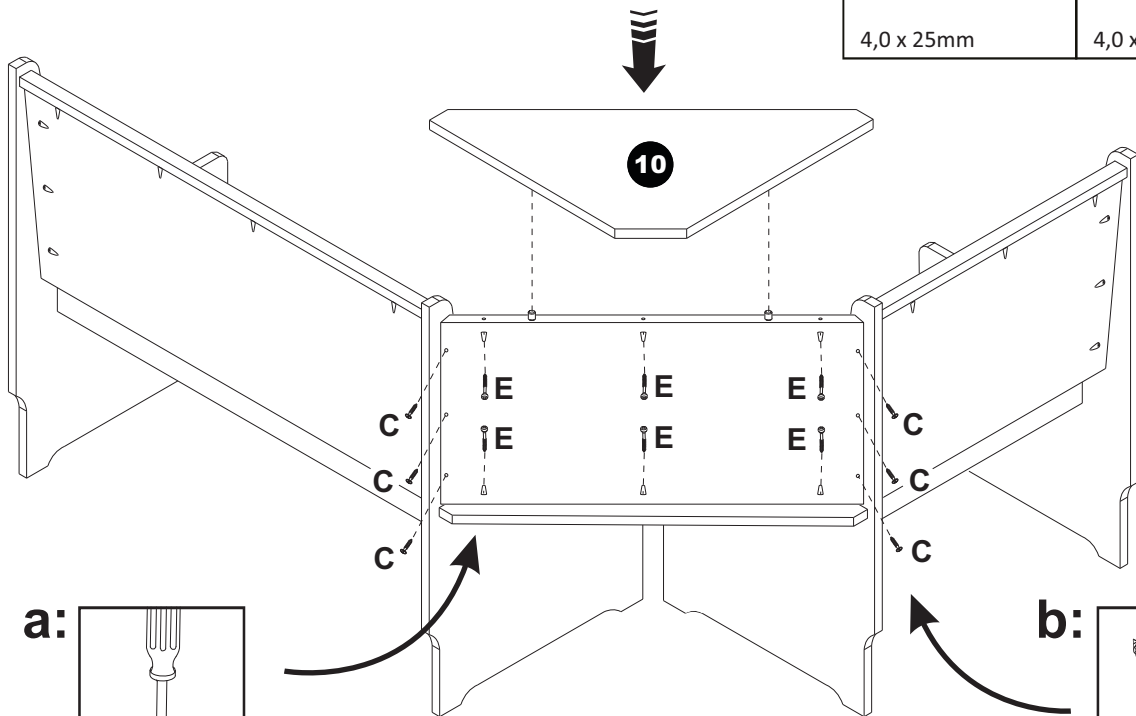
4,0 x 30mm

D

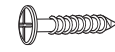


7x

09

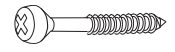


C=06



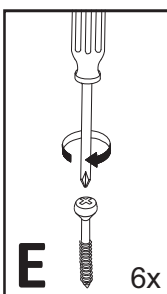
4,0 x 25mm

E=06



4,0 x 35mm

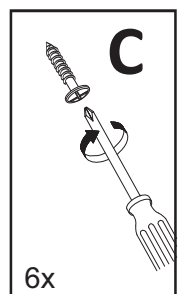
a:



E

6x

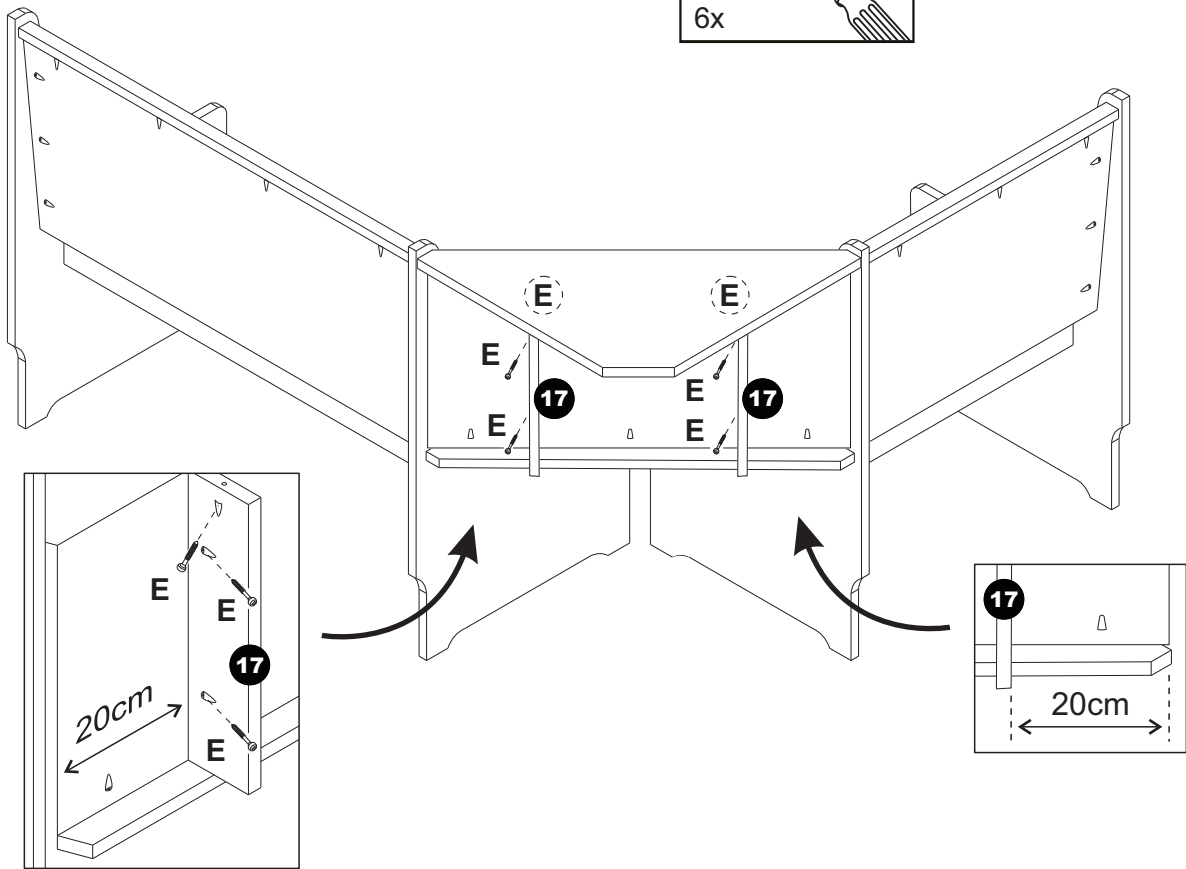
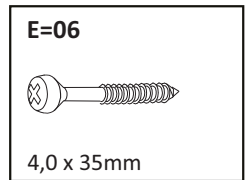
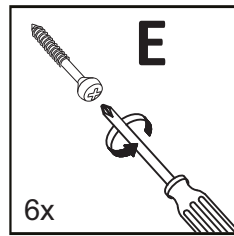
b:



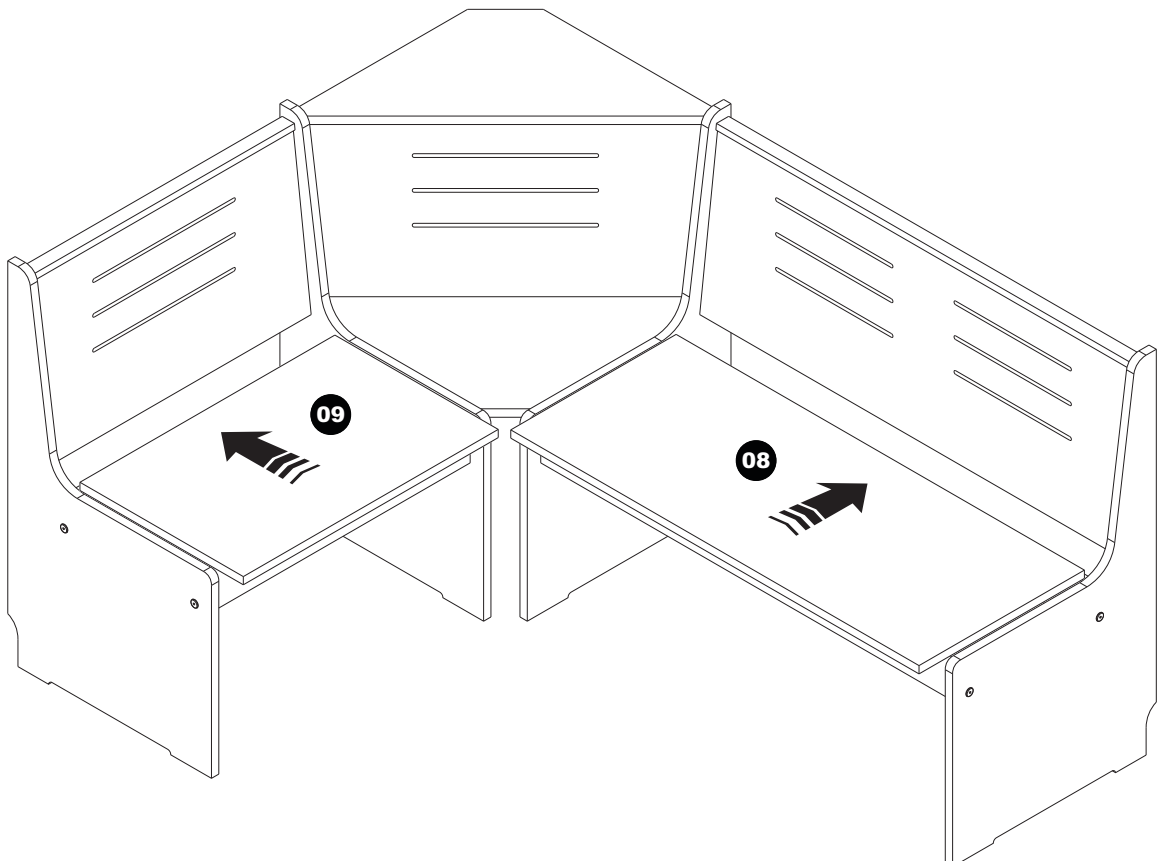
C

6x

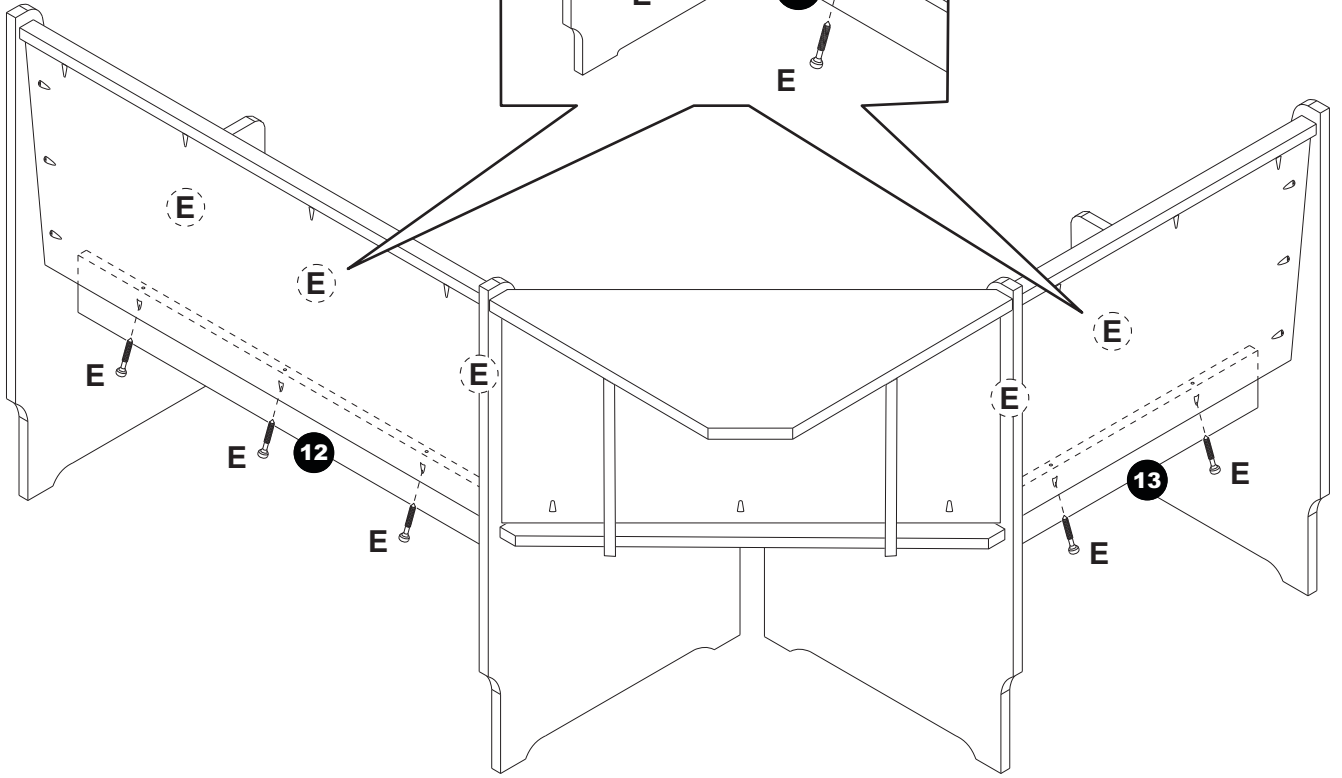
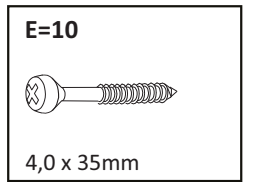
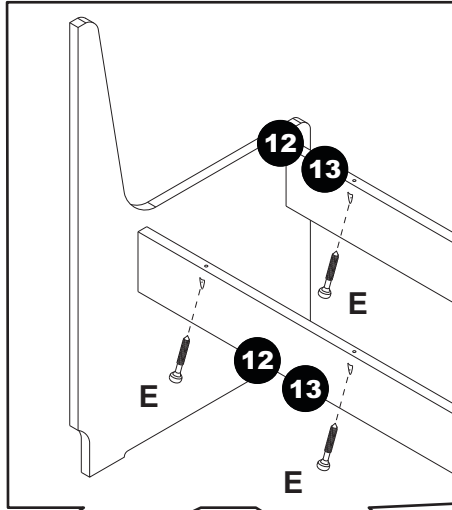
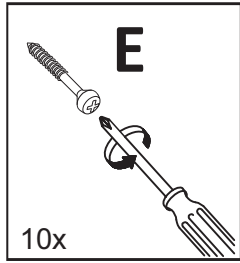
10



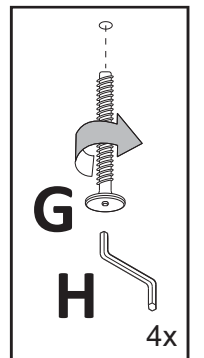
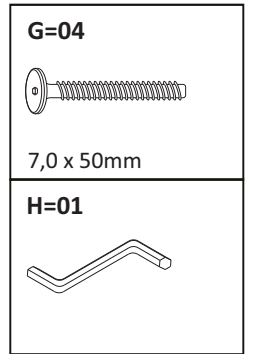
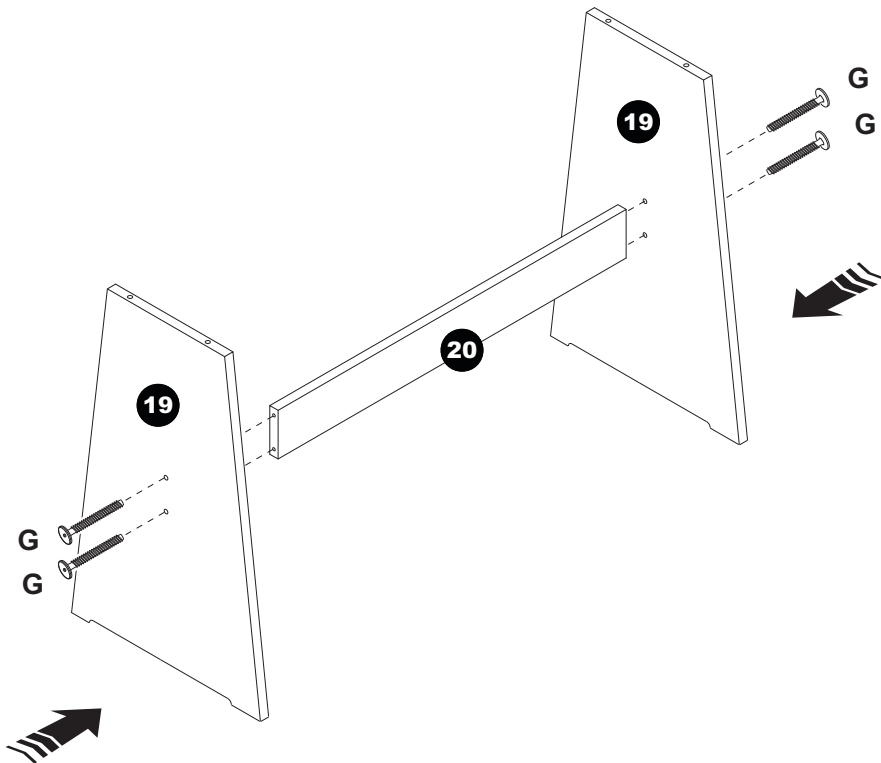
11



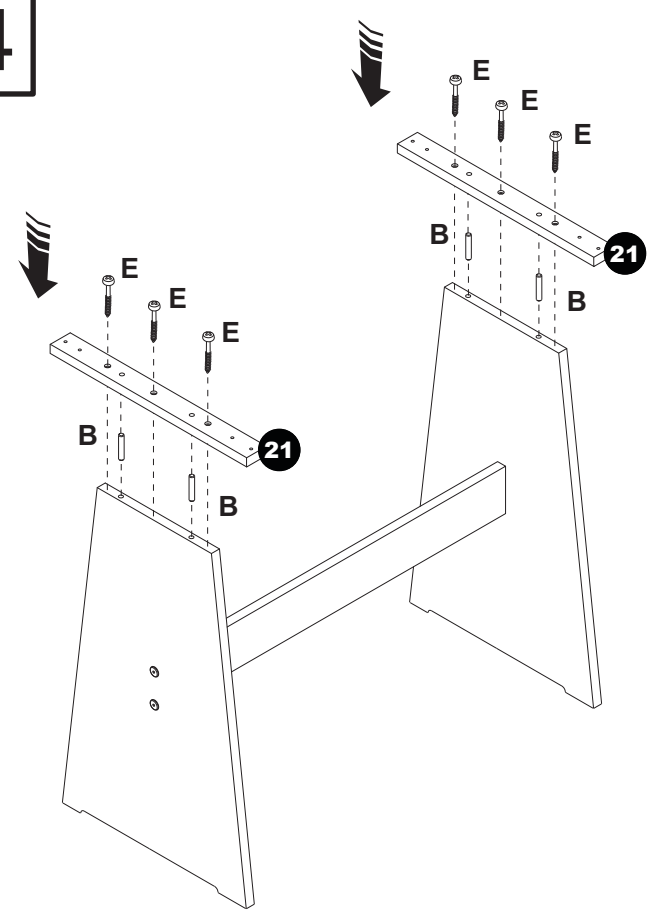
12


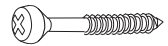


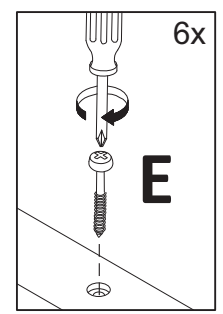
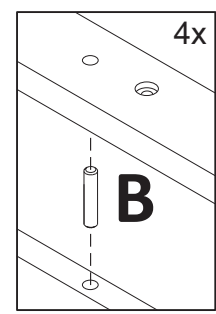
13



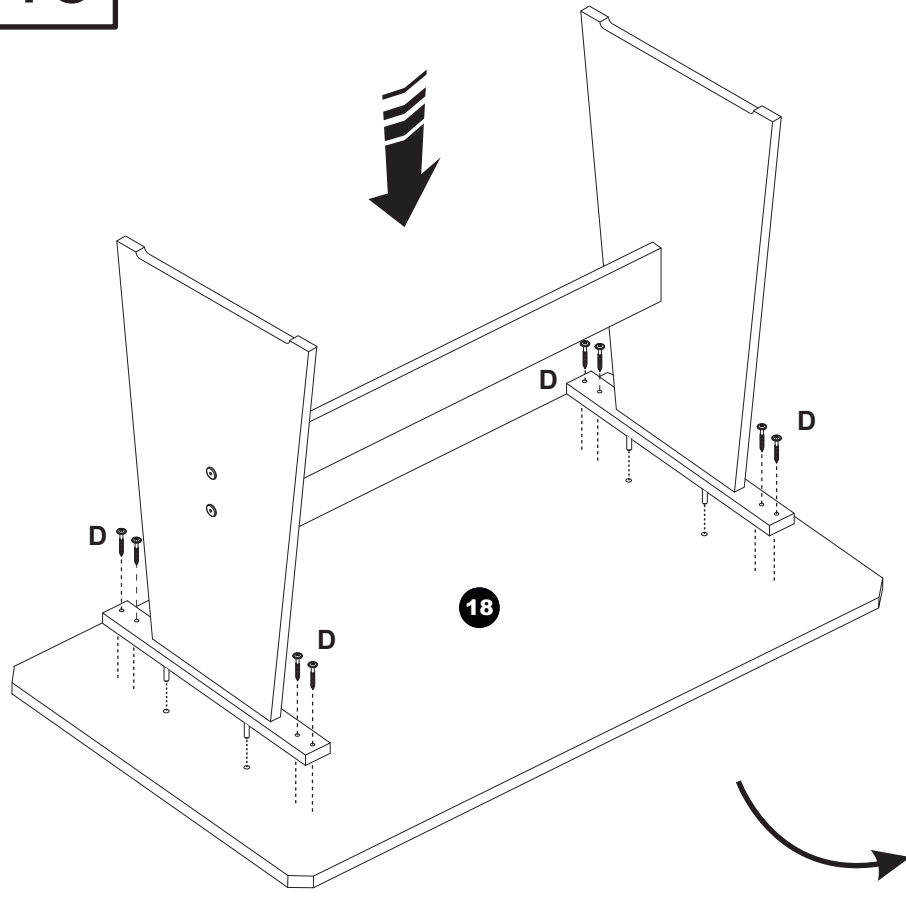
14

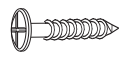


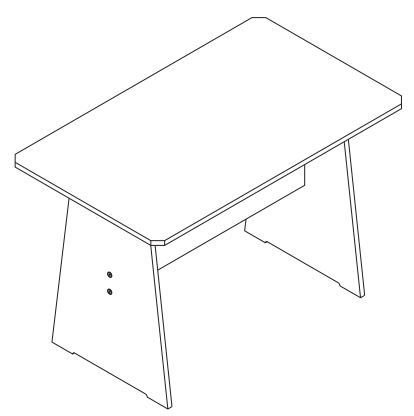
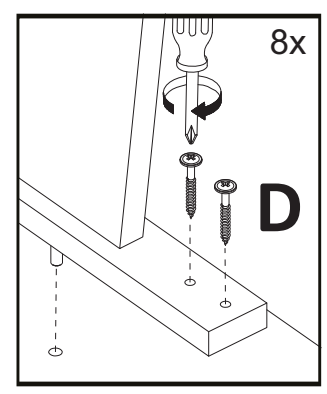
B=04  8,0 x 50mm	E=06  4,0 x 35mm
--	--



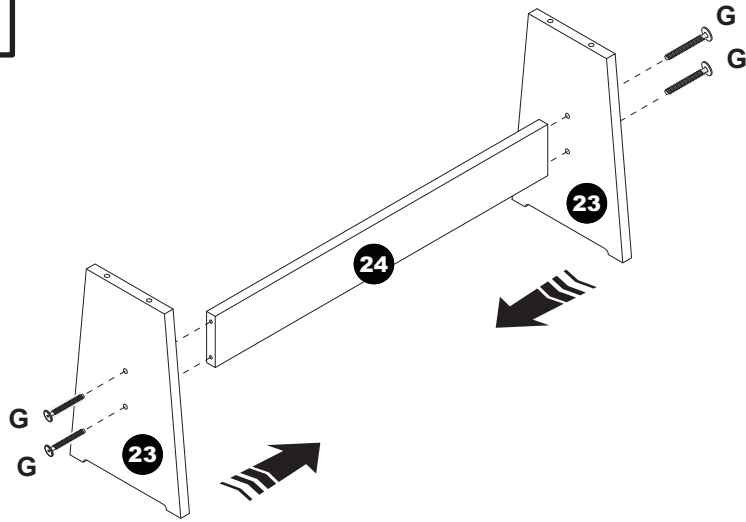
15

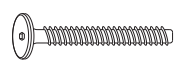



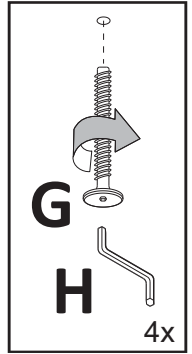
D=08  4,0 x 30mm
--



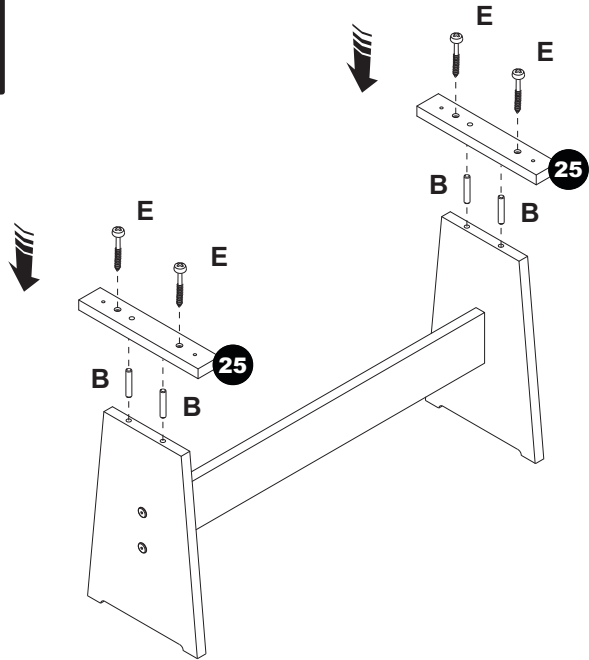
16


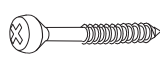


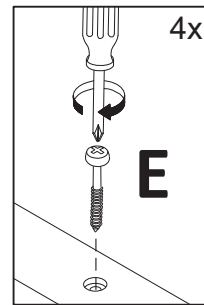
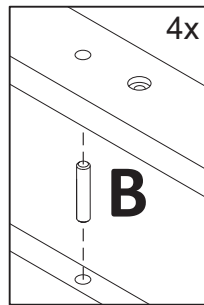
G=04  7,0 x 50mm	H=01 
--	--



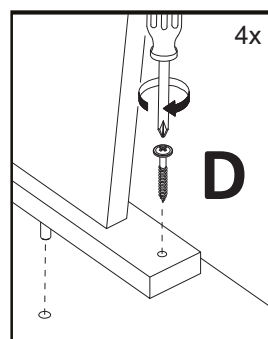
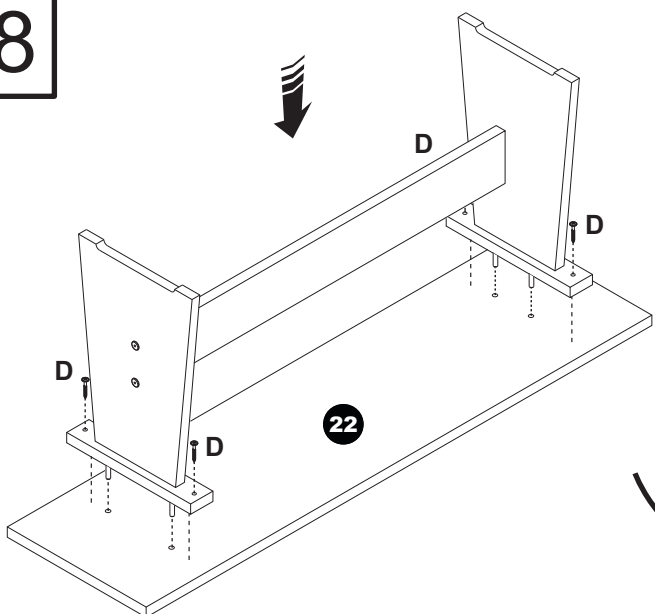
17

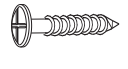


B=04  8,0 x 50mm	E=04  4,0 x 35mm
--	--



18



D=04  4,0 x 30mm
--

