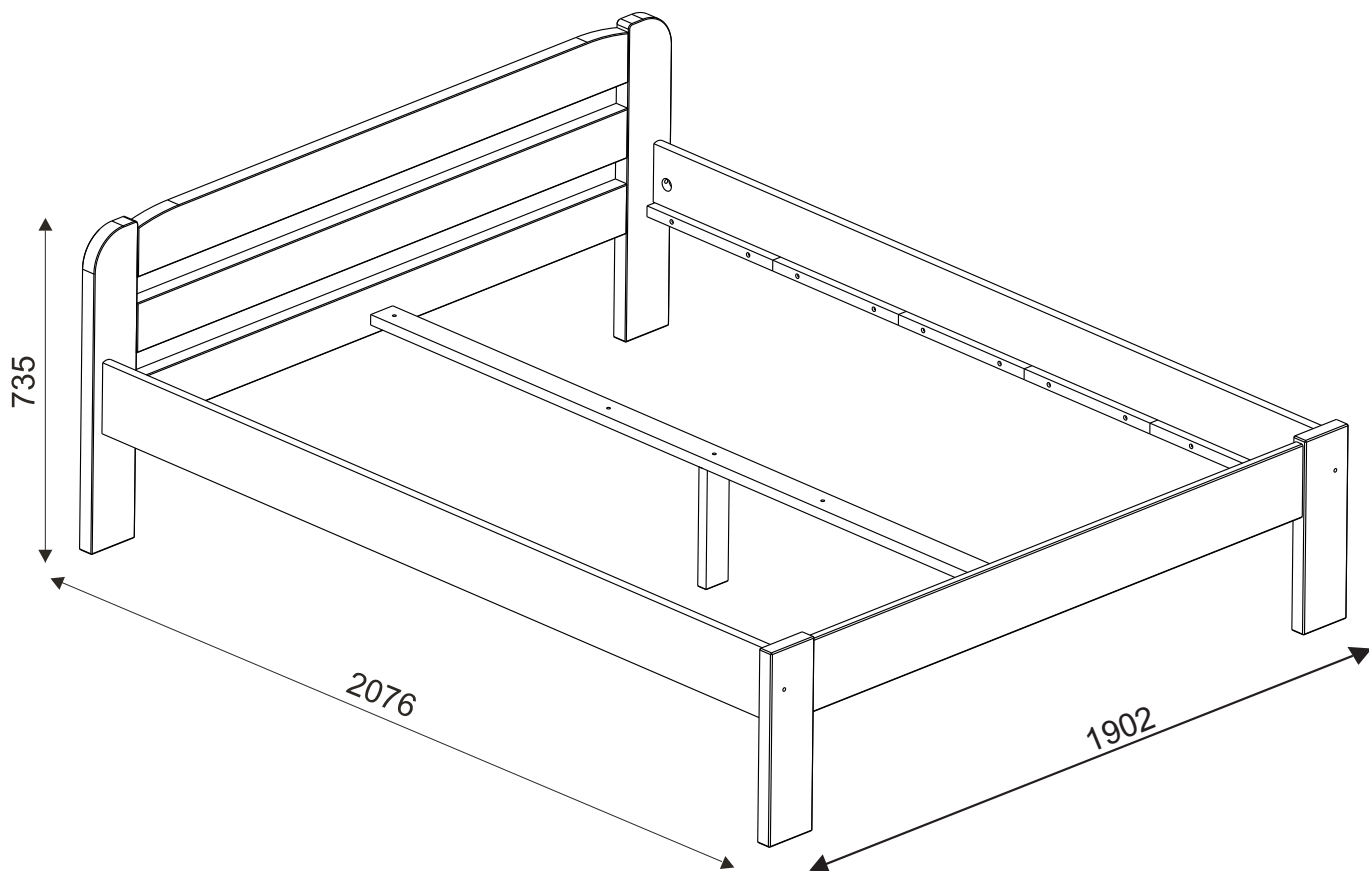
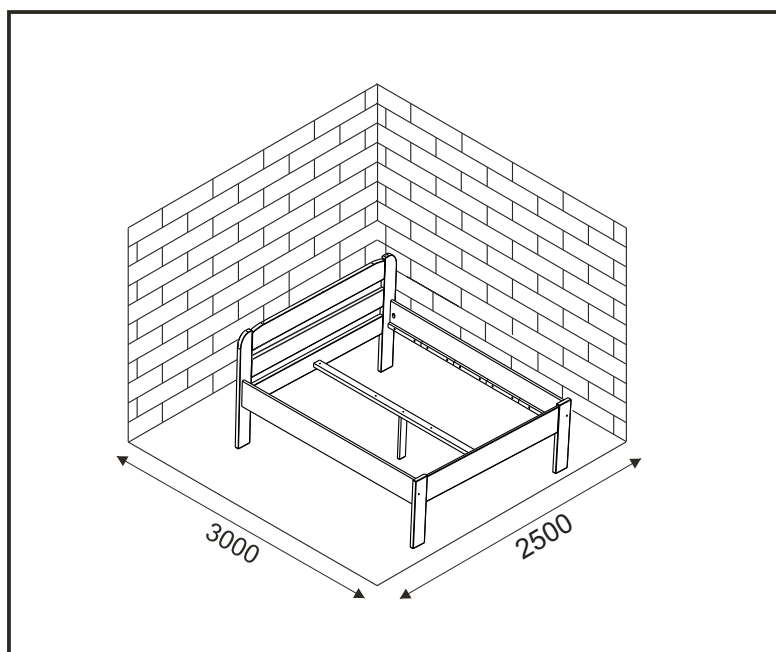
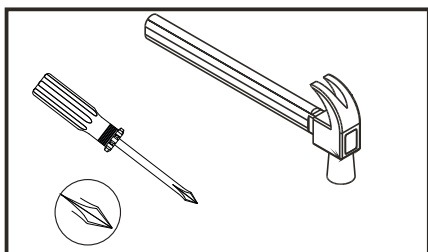
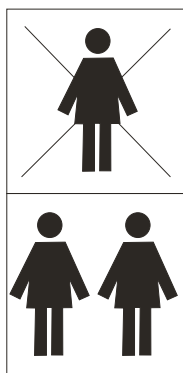


# 180 x 200

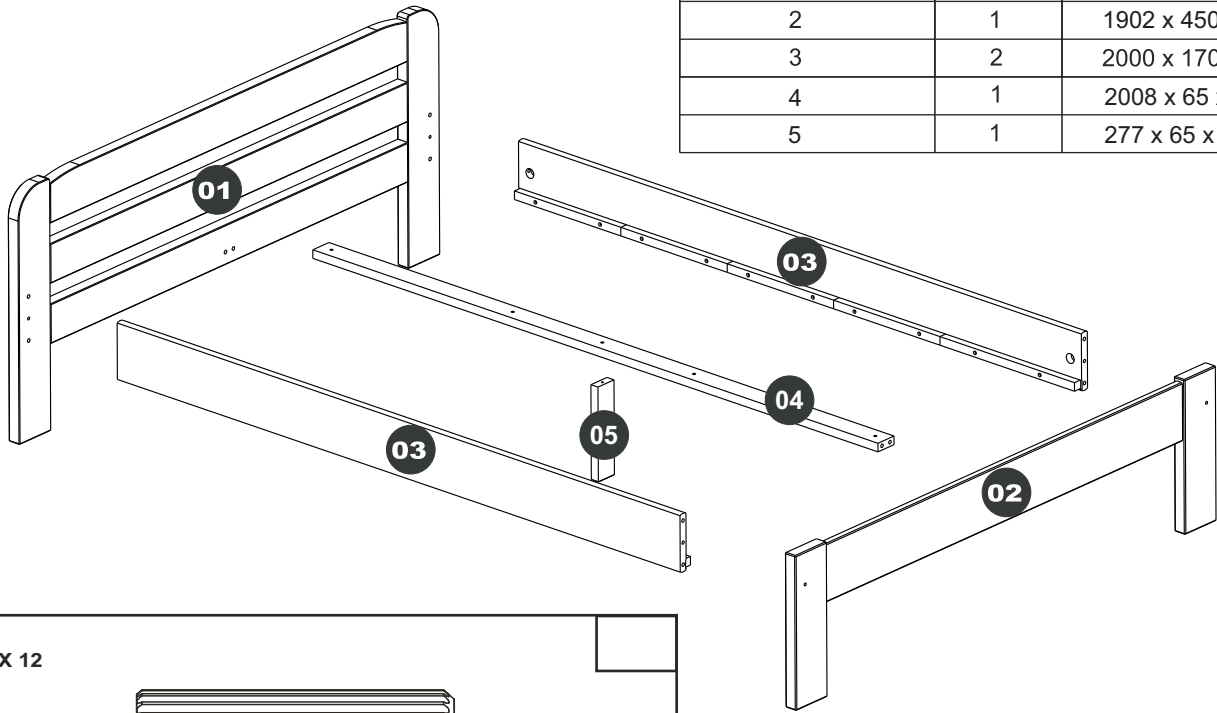


20 min.

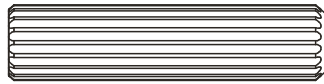


1-4

1	1	1902 x 735 x 38	
2	1	1902 x 450 x 38	
3	2	2000 x 170 x 48	
4	1	2008 x 65 x 38	
5	1	277 x 65 x 25	

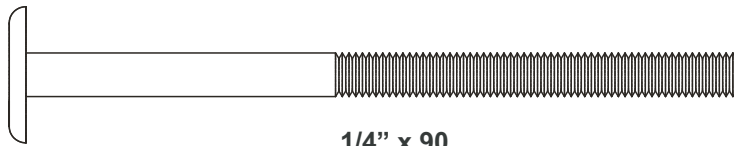


**A** x 12



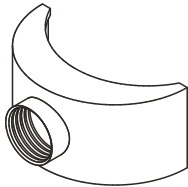
10,0x40

**B** x 04

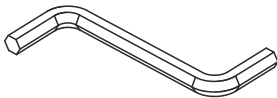


1/4" x 90

**C** x 04

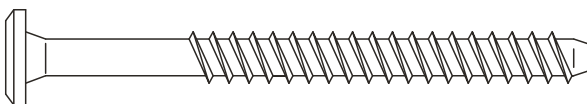


**D** x 01



4mm.

**E** x 01

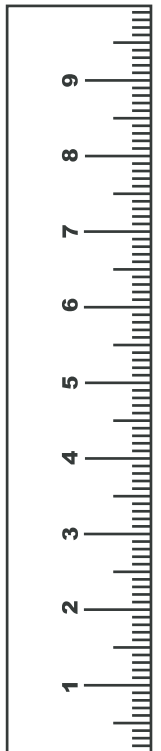


7,0x70

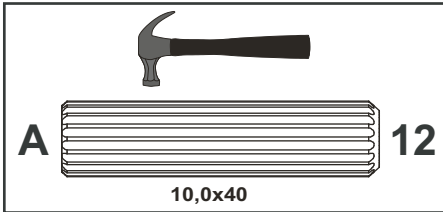
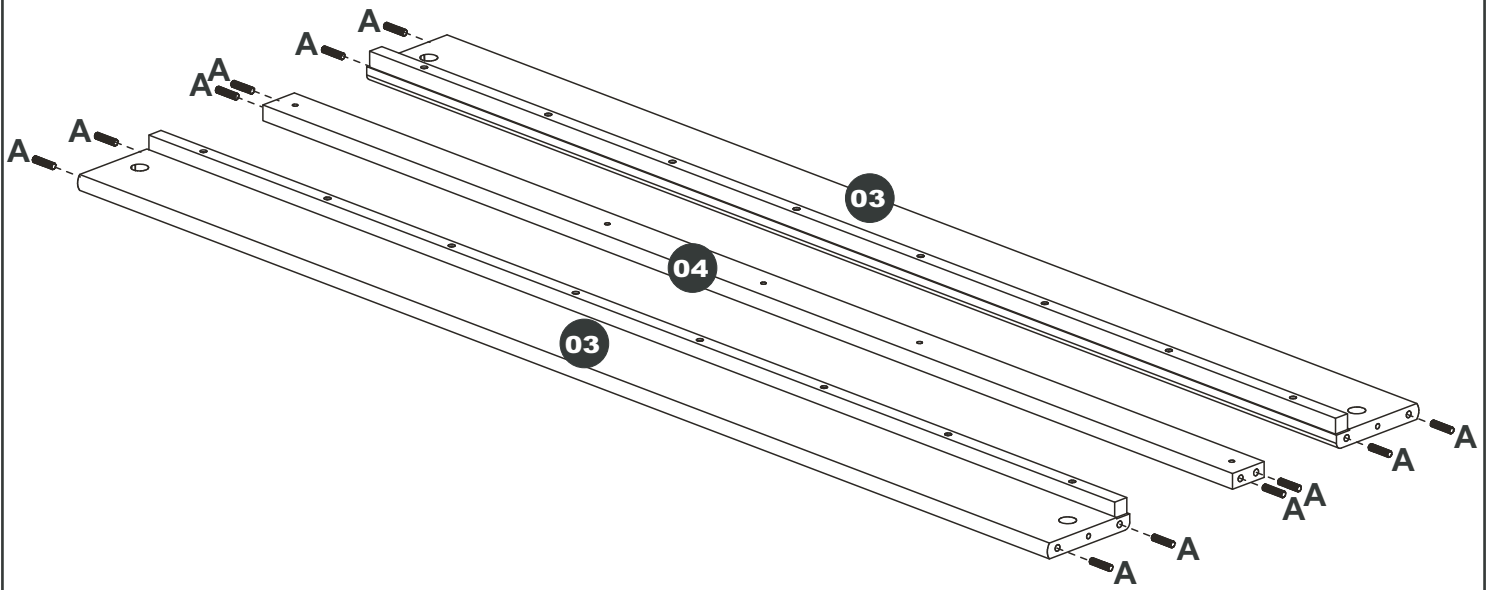
**F** x 04



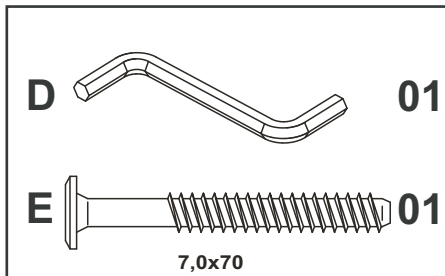
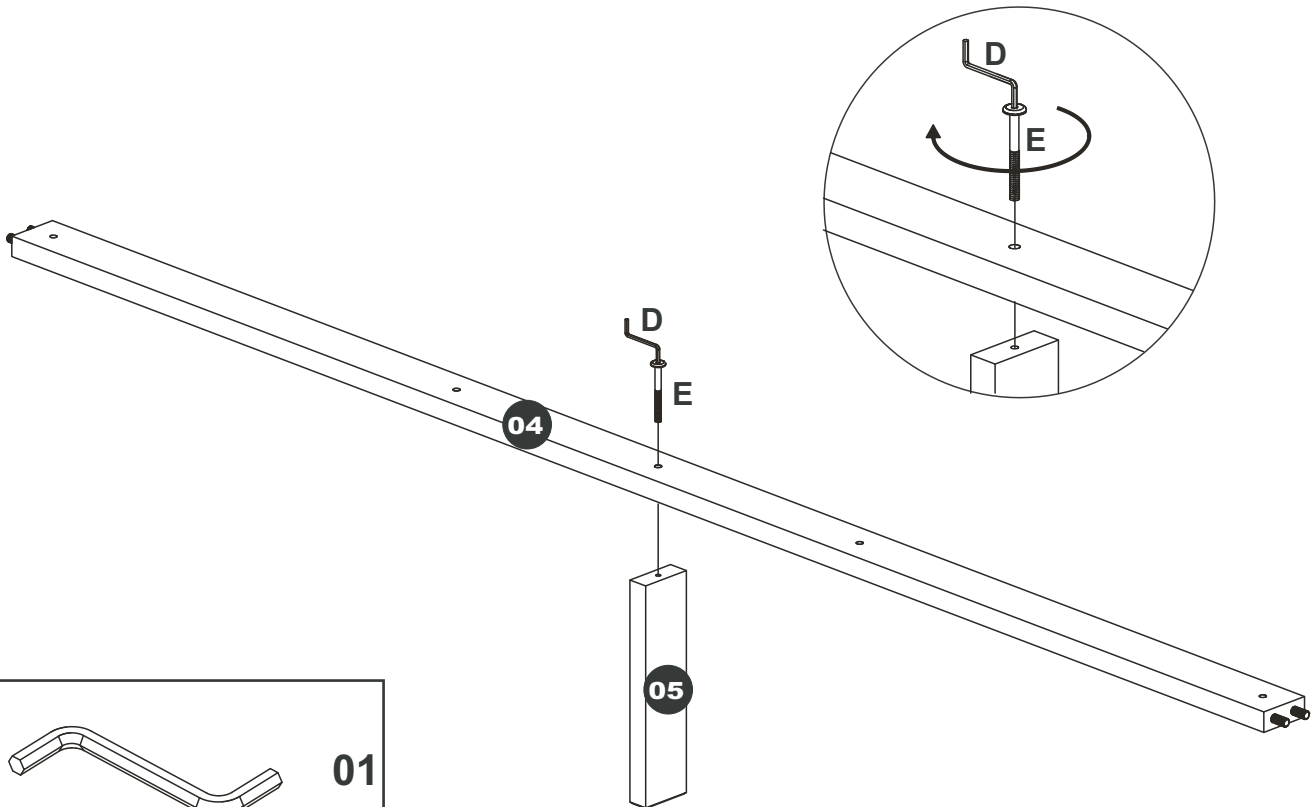
8,0x30



# 01

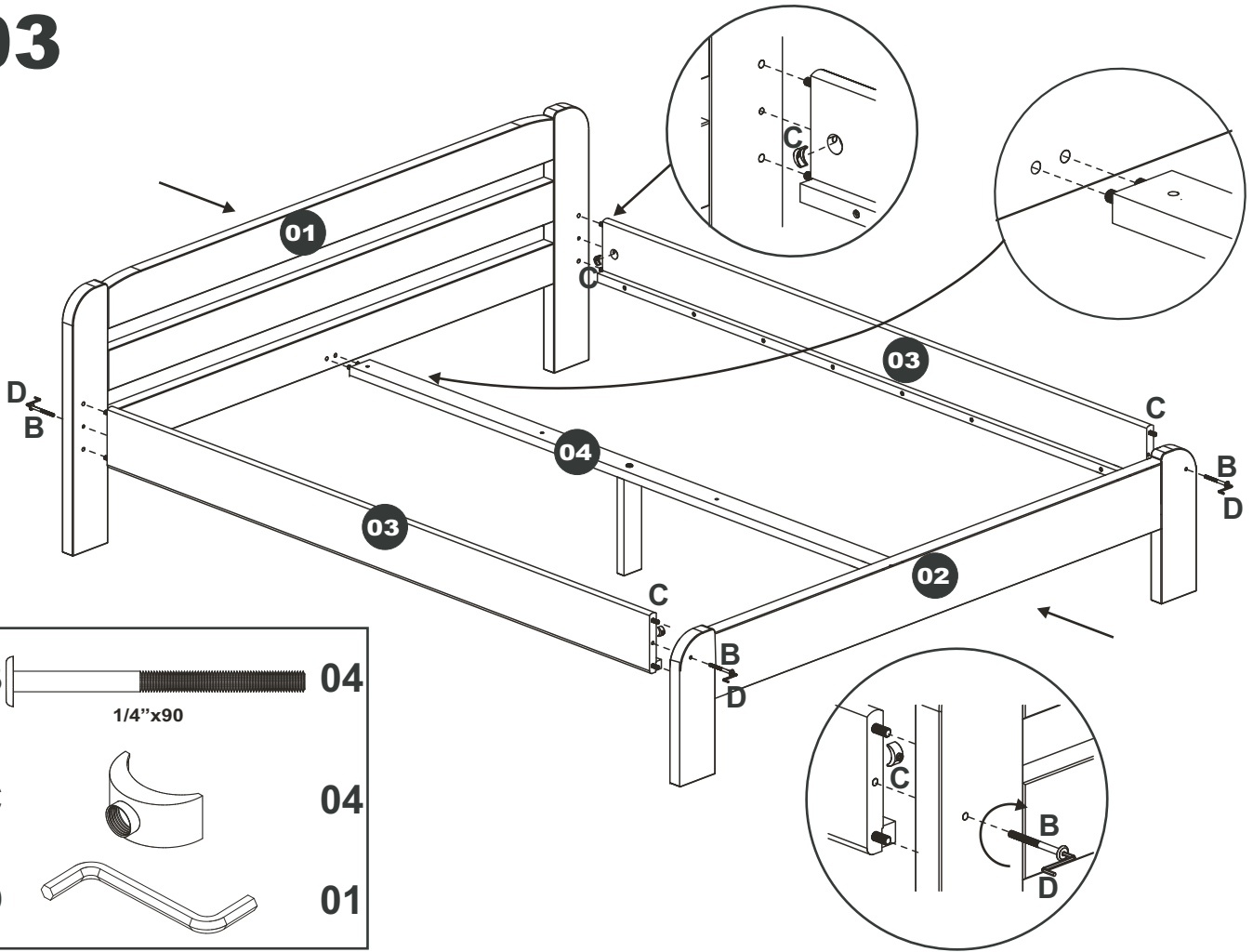


# 02



3-4

# 03



# 04

