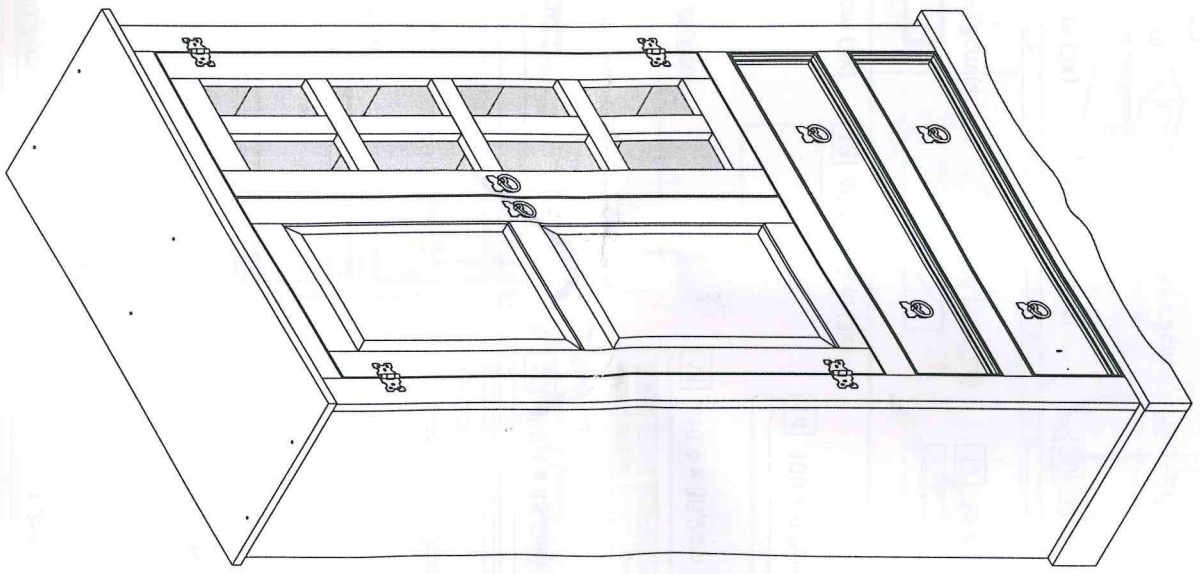
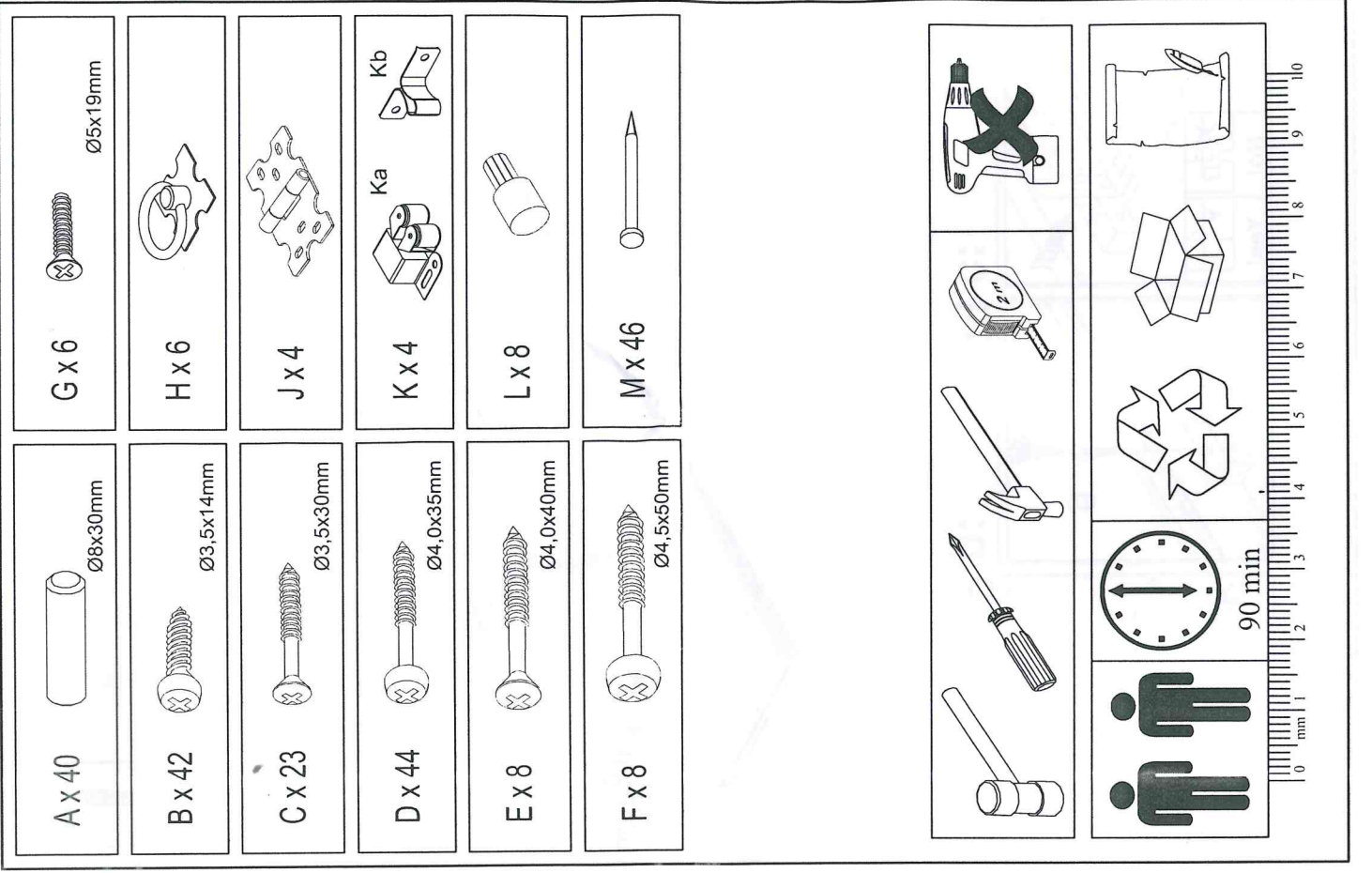
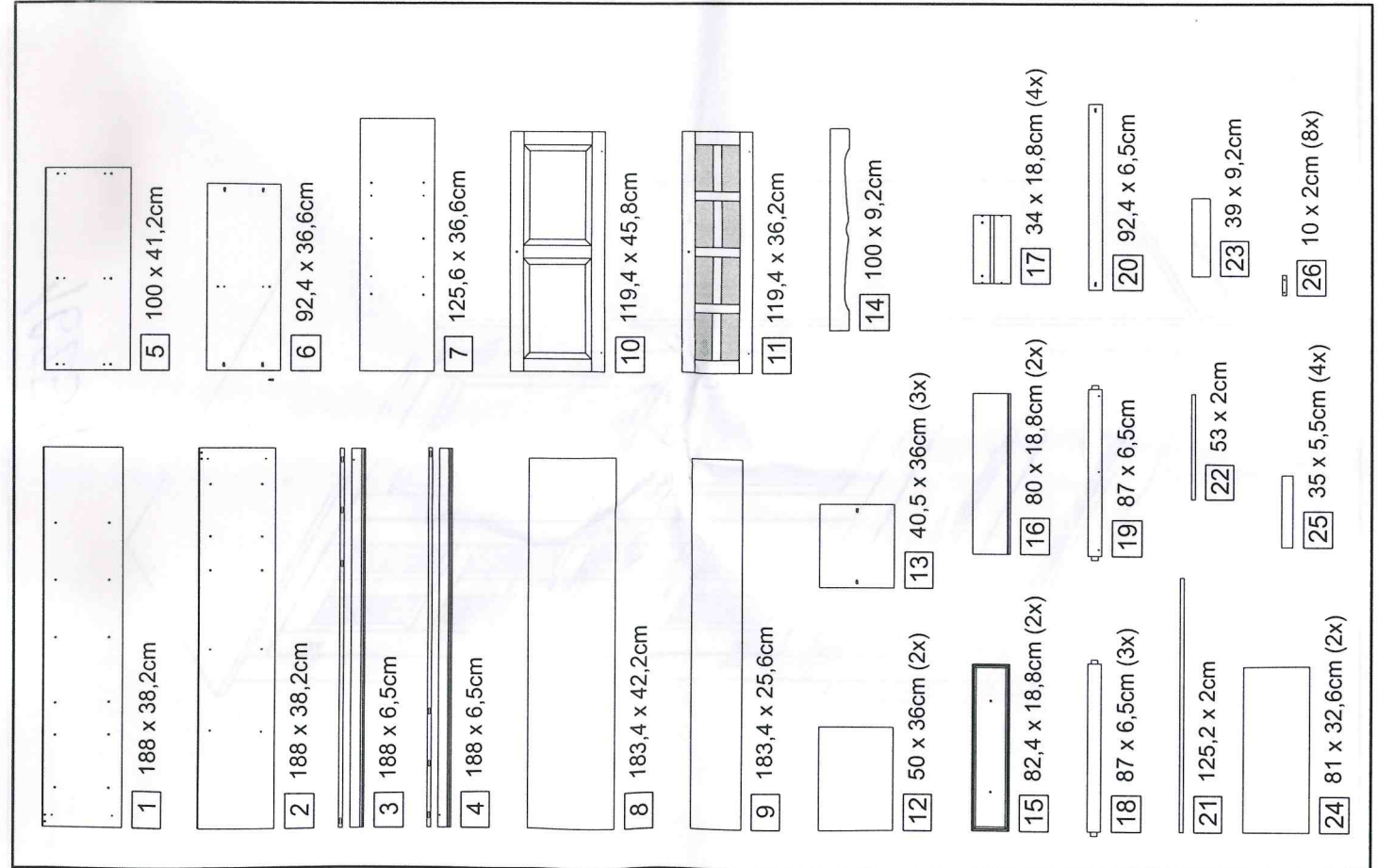
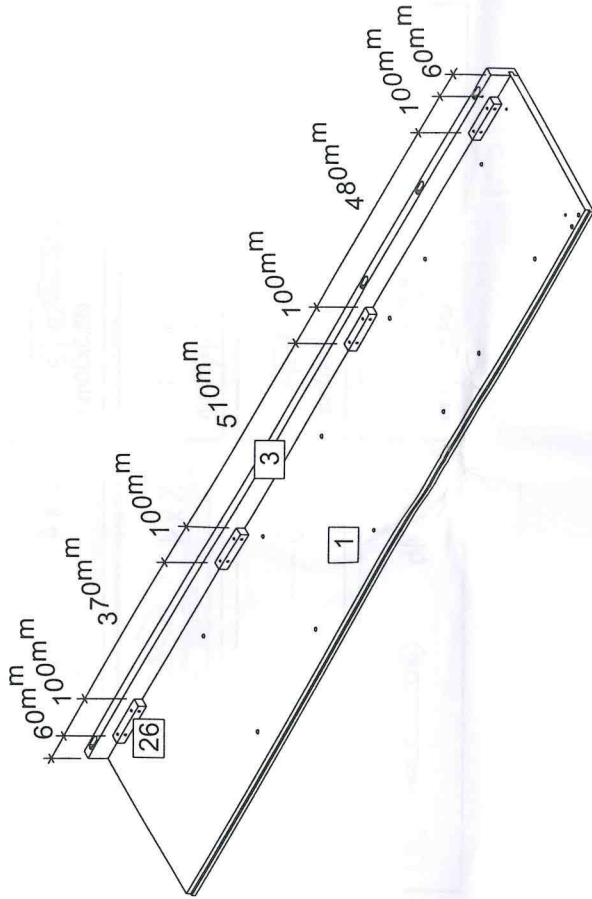
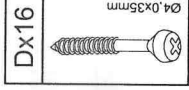


16254

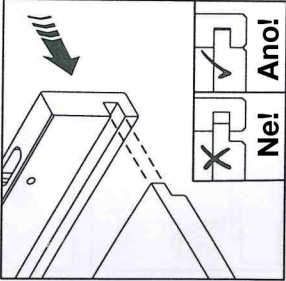




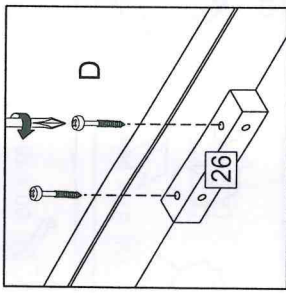
1



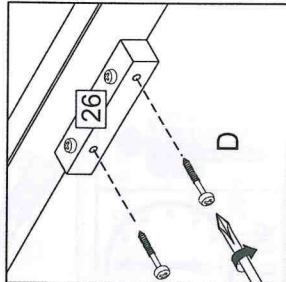
a:



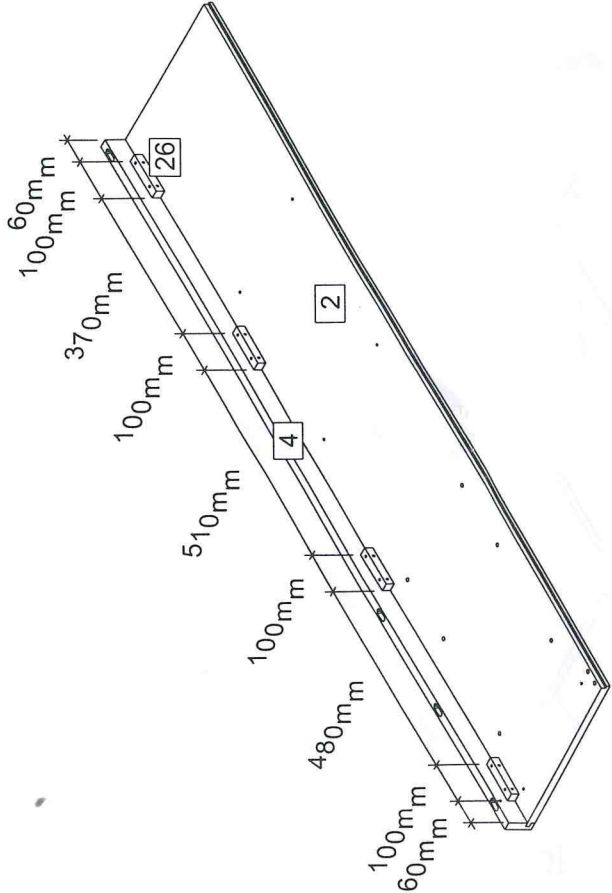
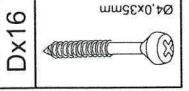
b:



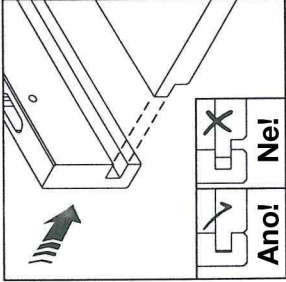
c:



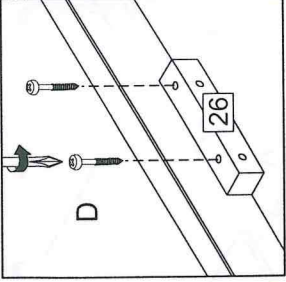
2



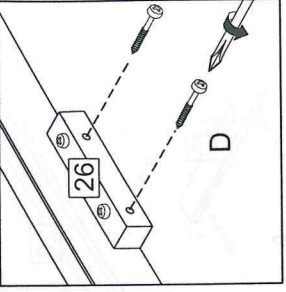
a:



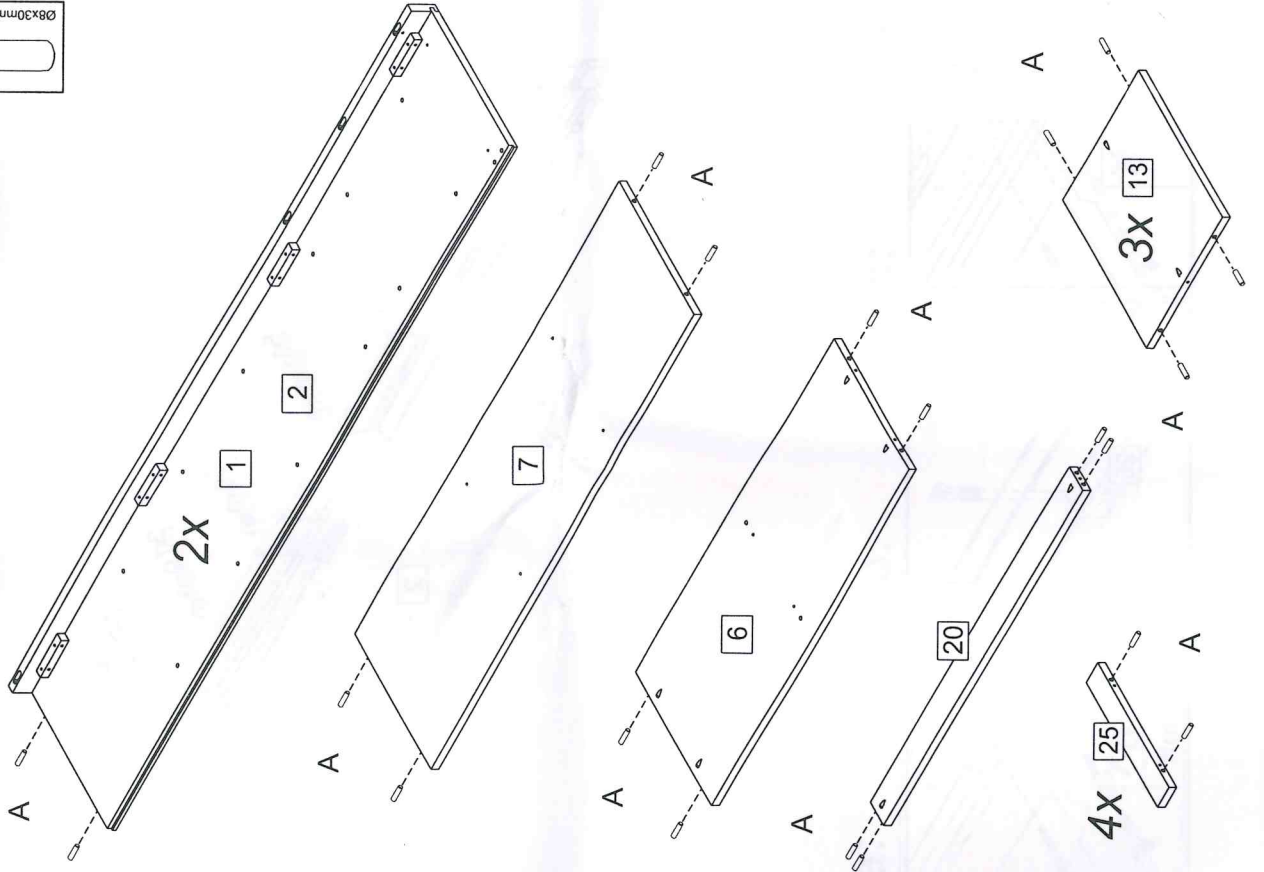
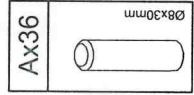
b:



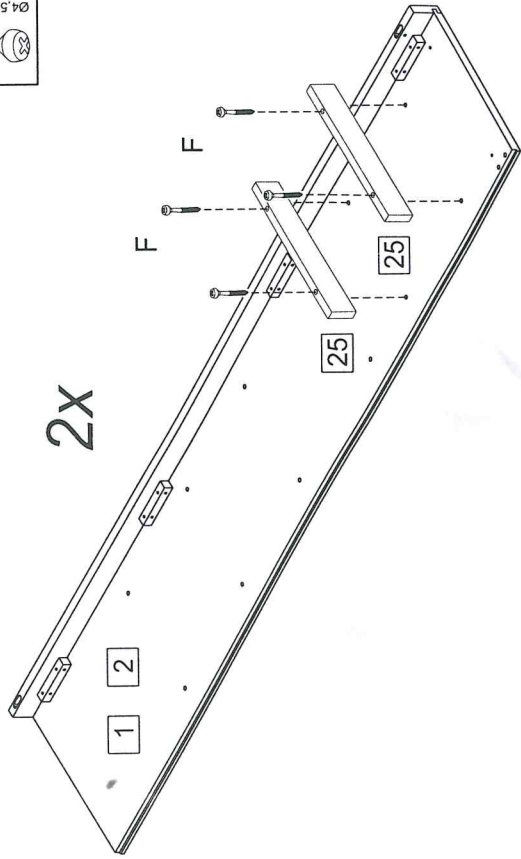
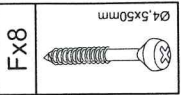
c:



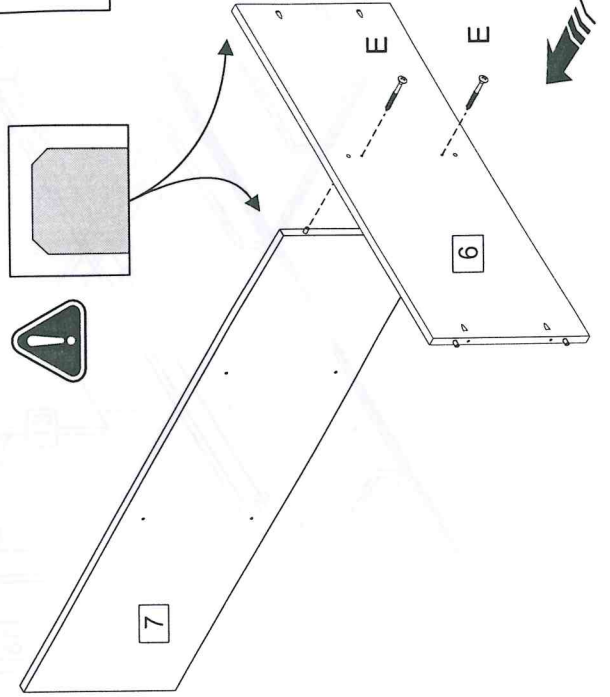
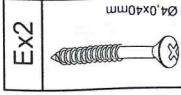
3



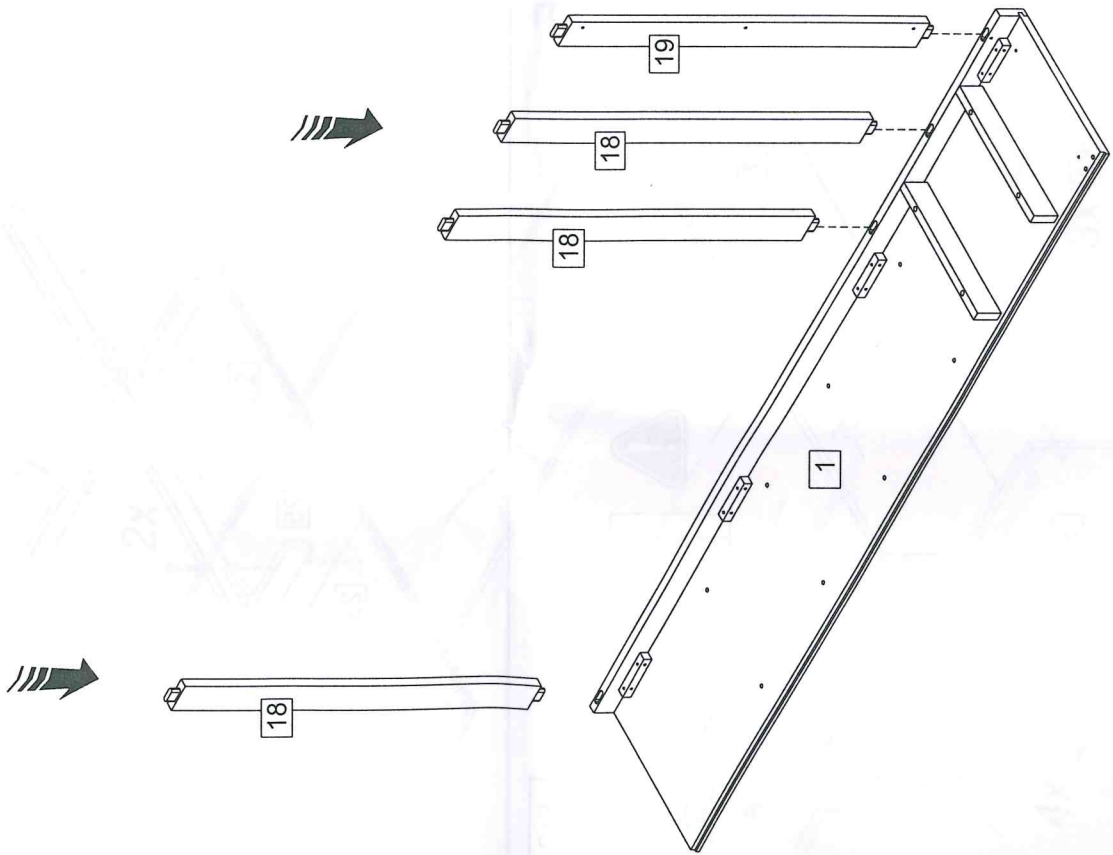
4



5

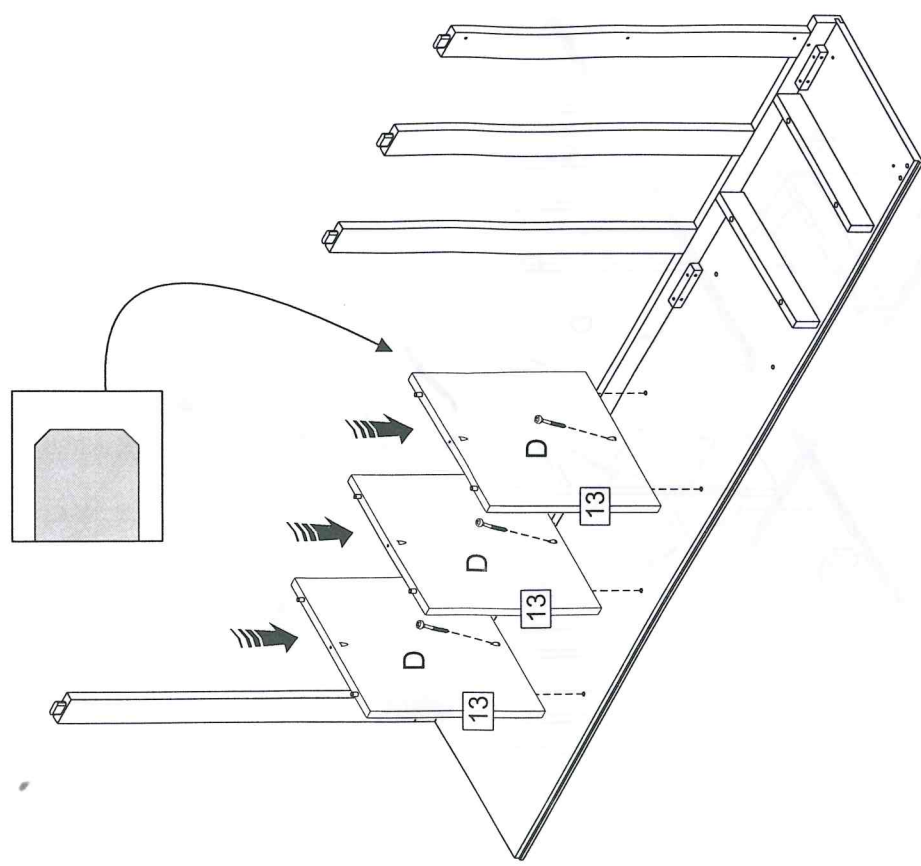
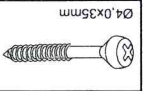


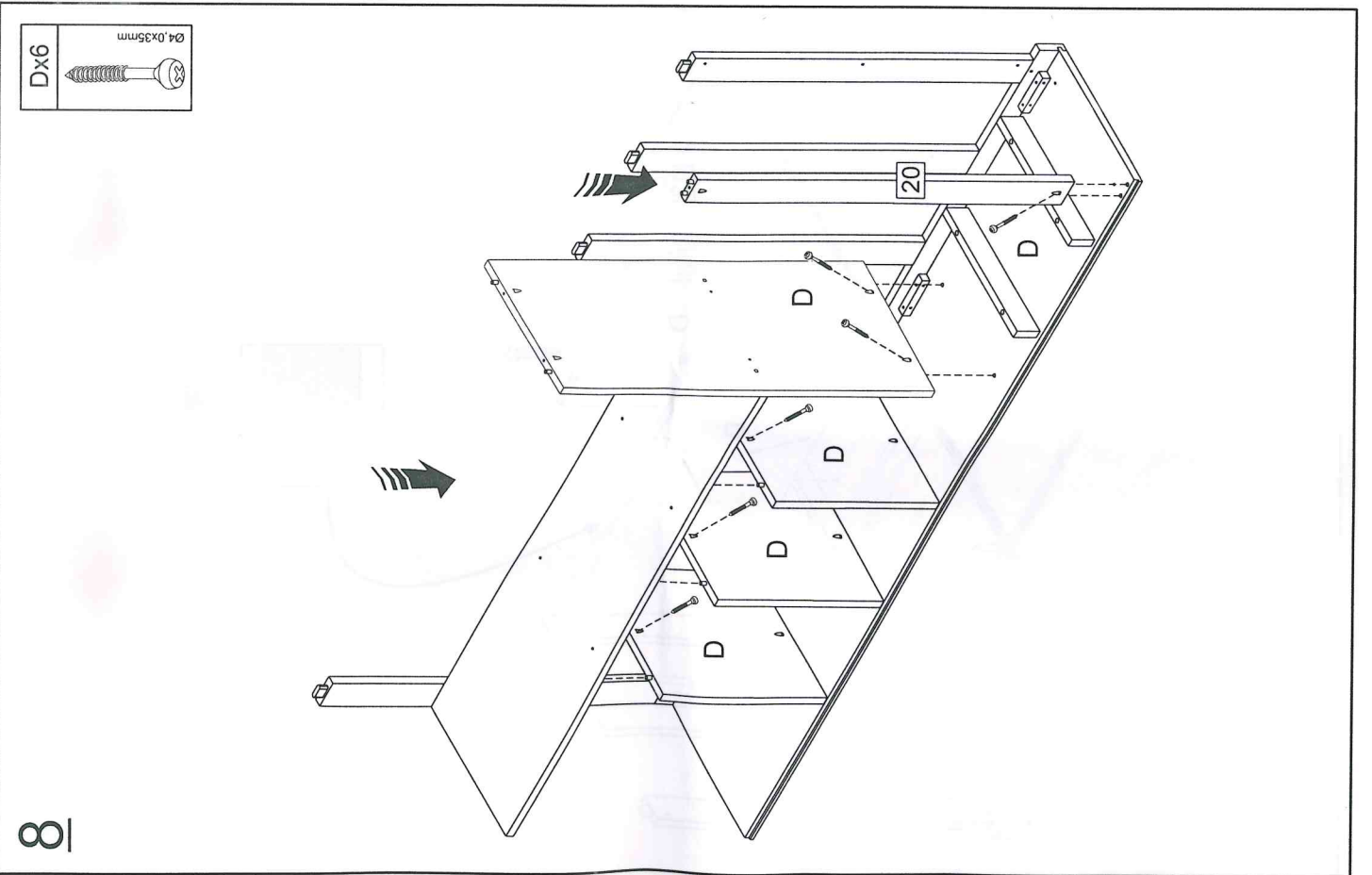
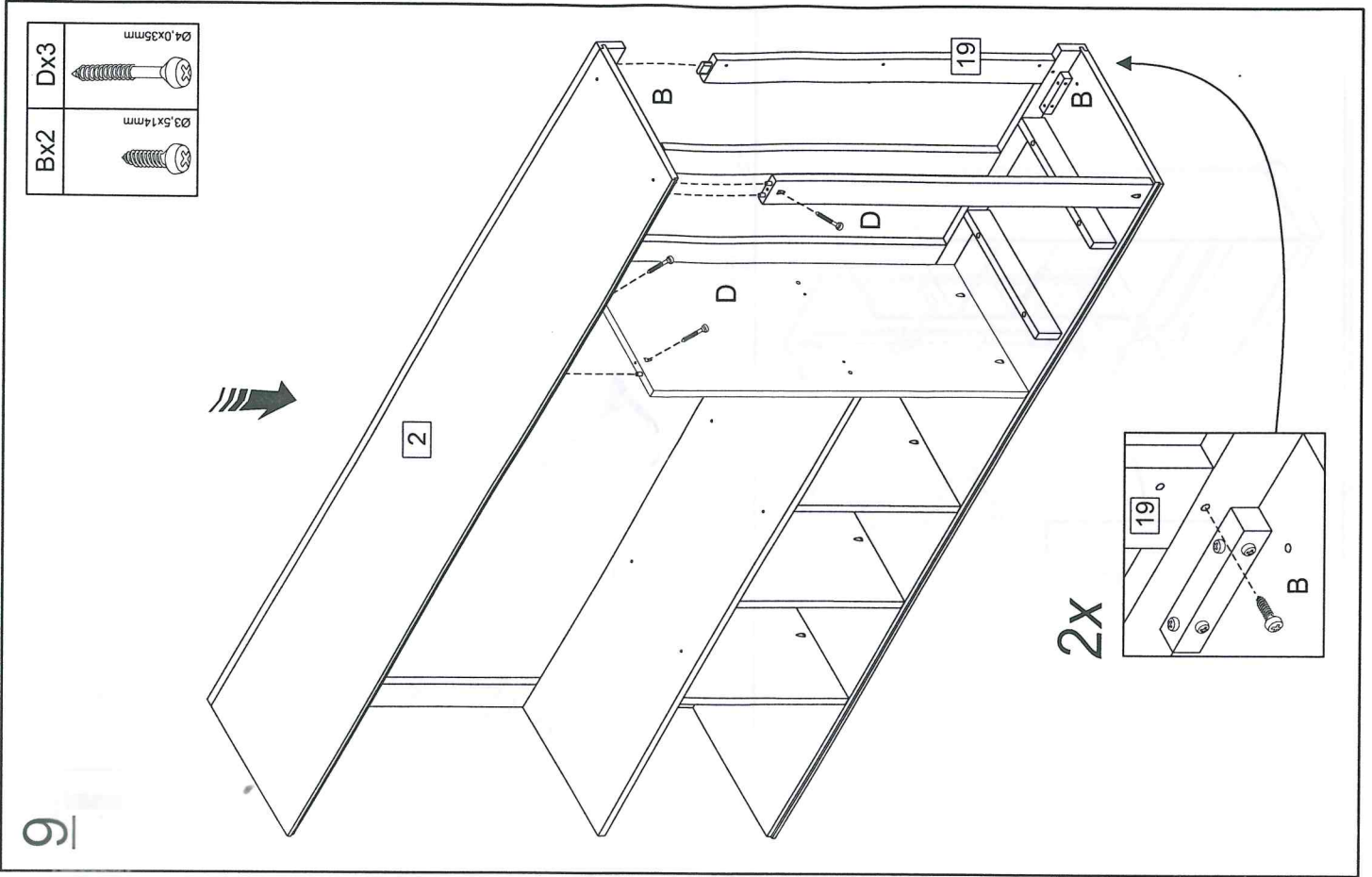
6



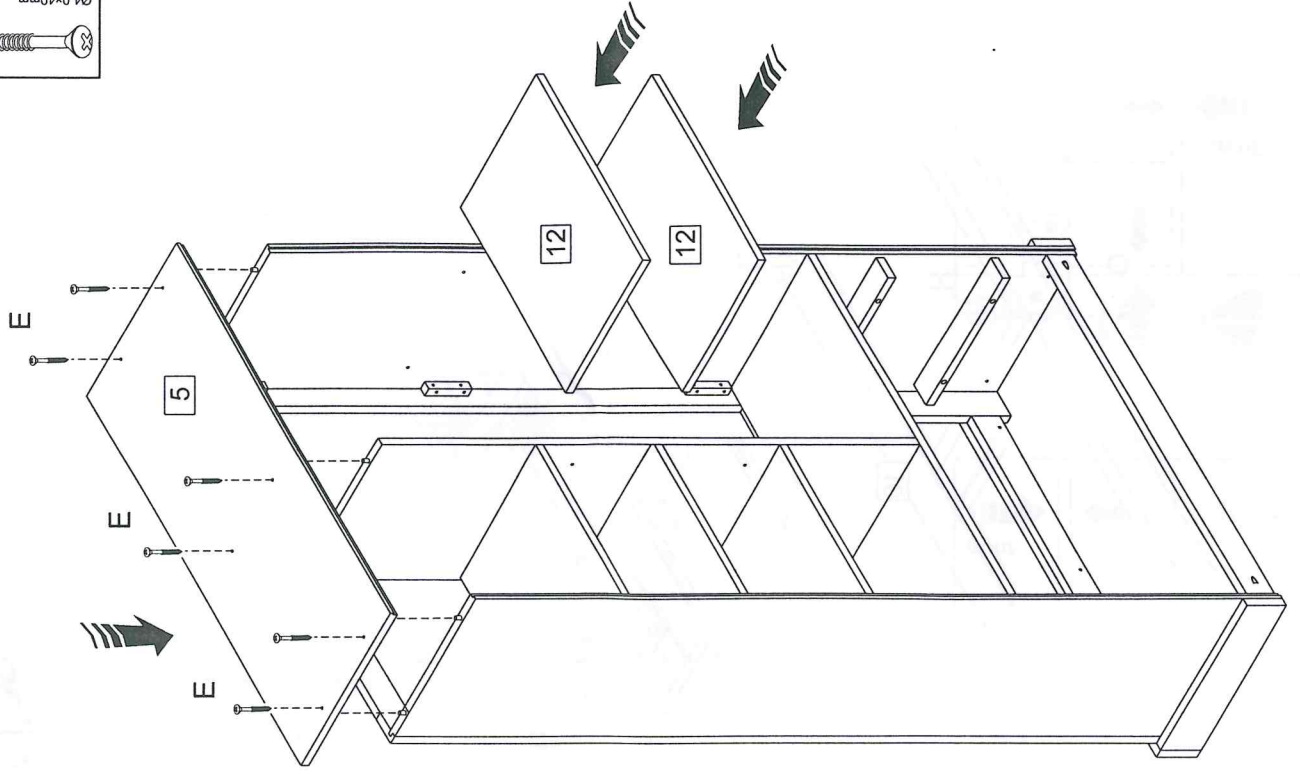
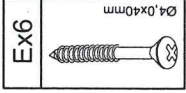
7

DX3  
Ø4,0x35mm

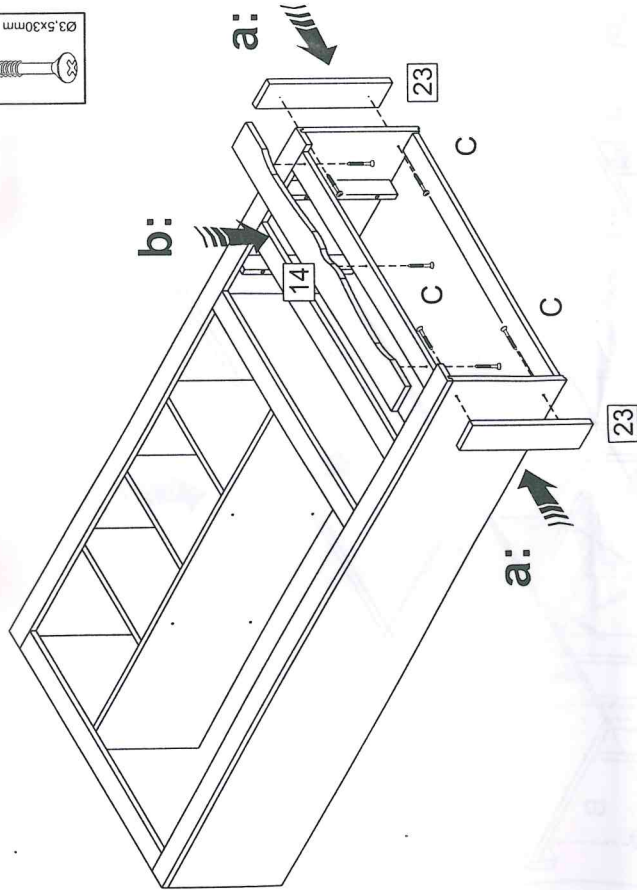
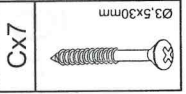




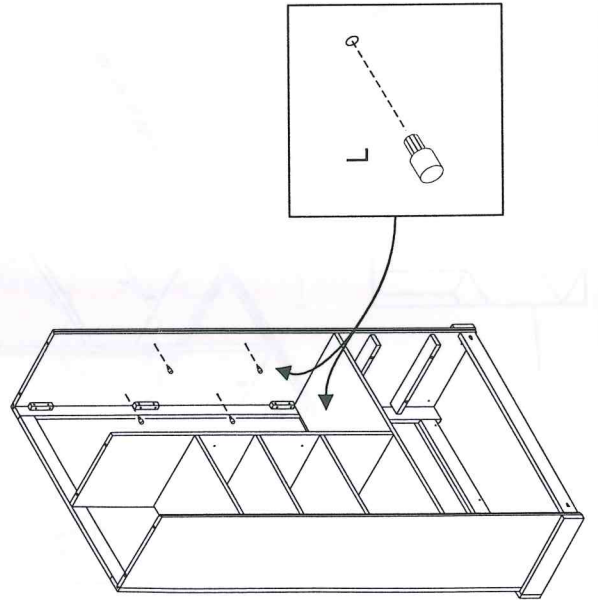
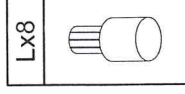
12







10

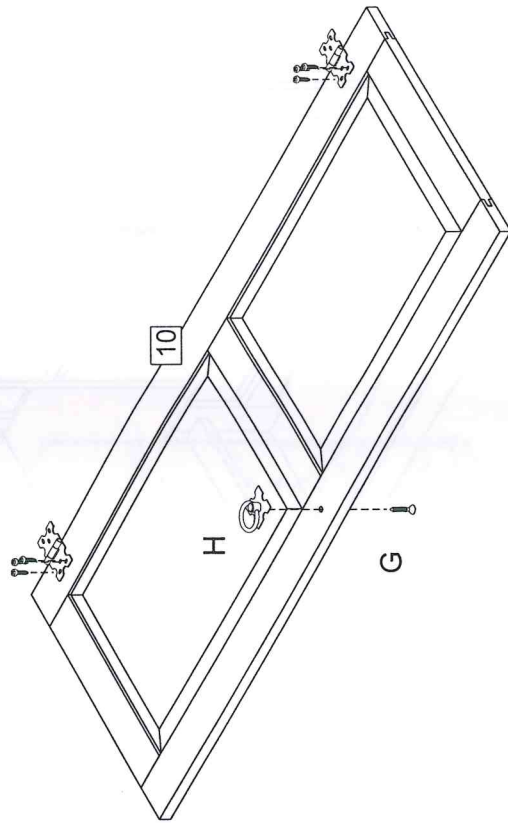
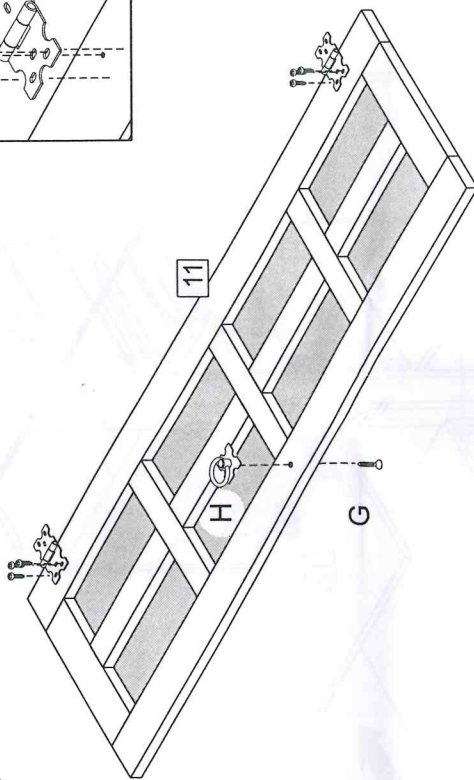
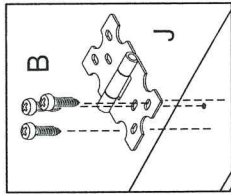


11




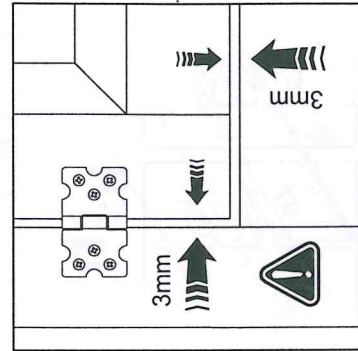
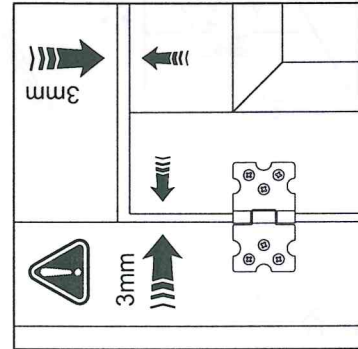
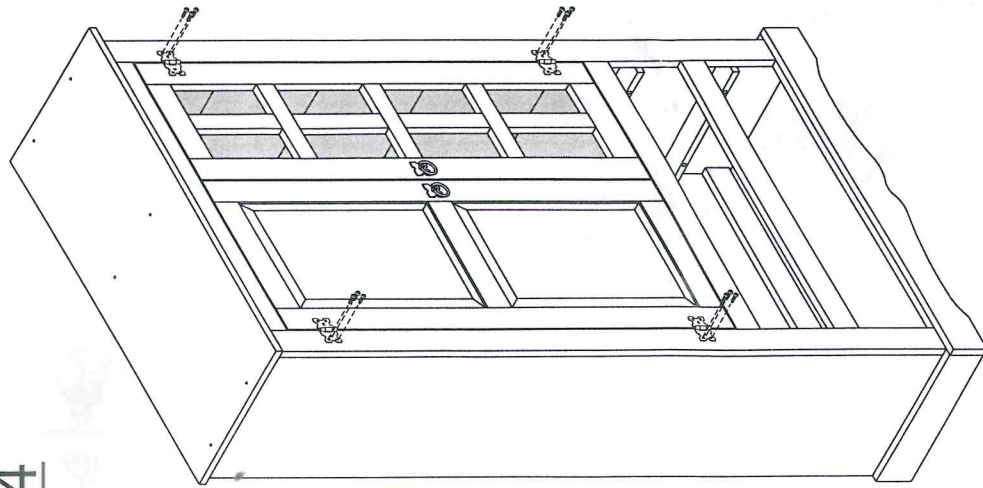
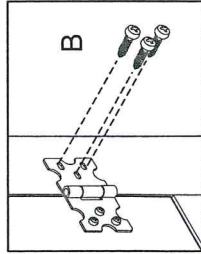
13

Bx12	Gx2	Hx2	Jx4
			
Ø3.5x14mm	Ø5x19mm		



14

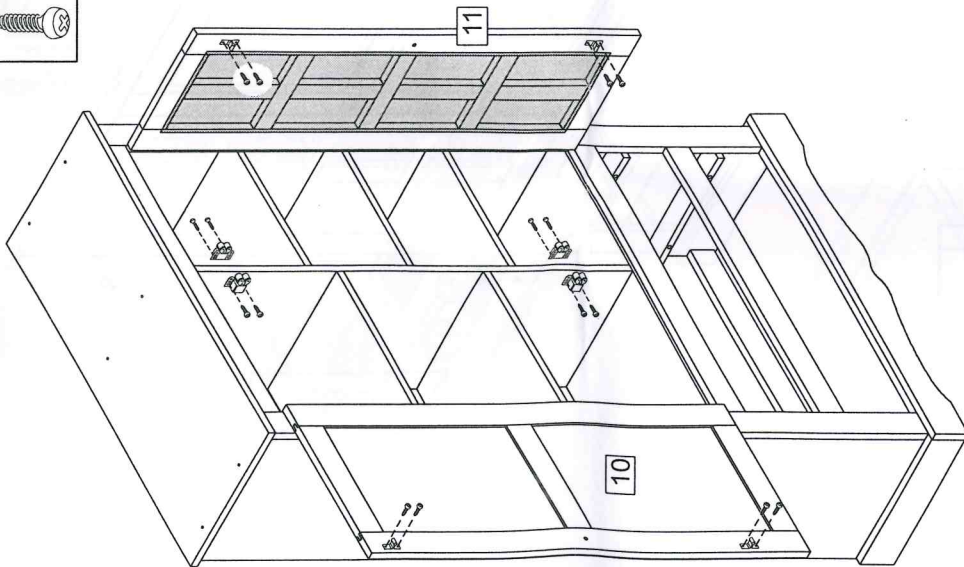
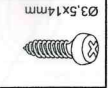
Bx12	
	Ø3.5x14mm



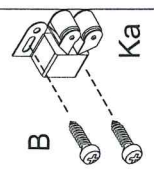


15

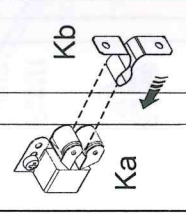
Bx16	Kax4	Kbx4
------	------	------



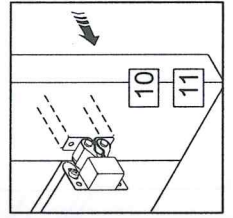
**a:**



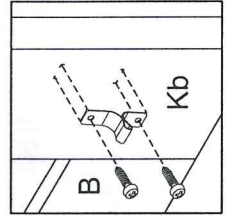
**b:**



**c:**



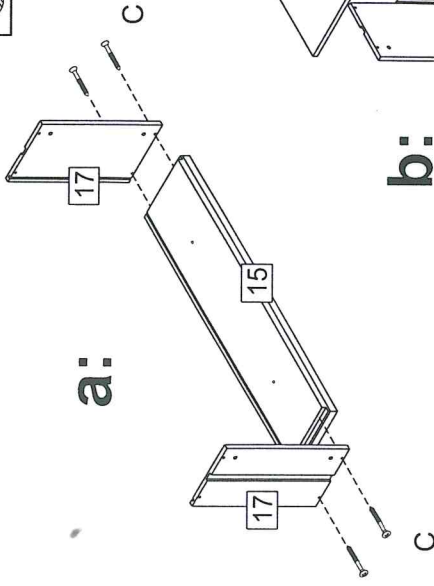
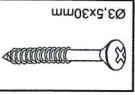
**d:**



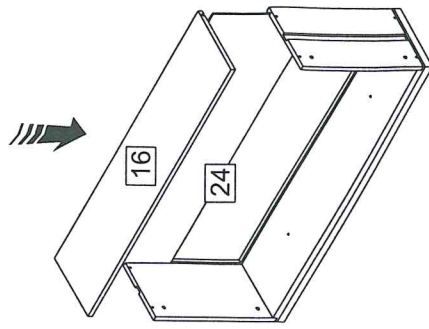
16

2x

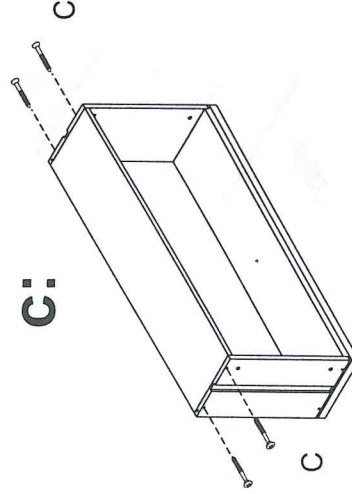
Cx16	Gx4	Hx4
------	-----	-----



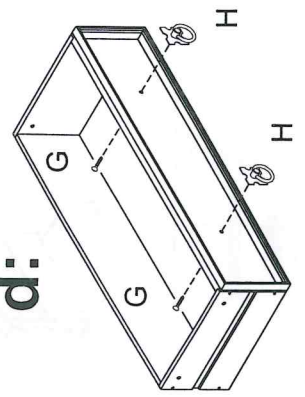
**b:**



**c:**

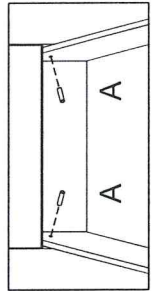
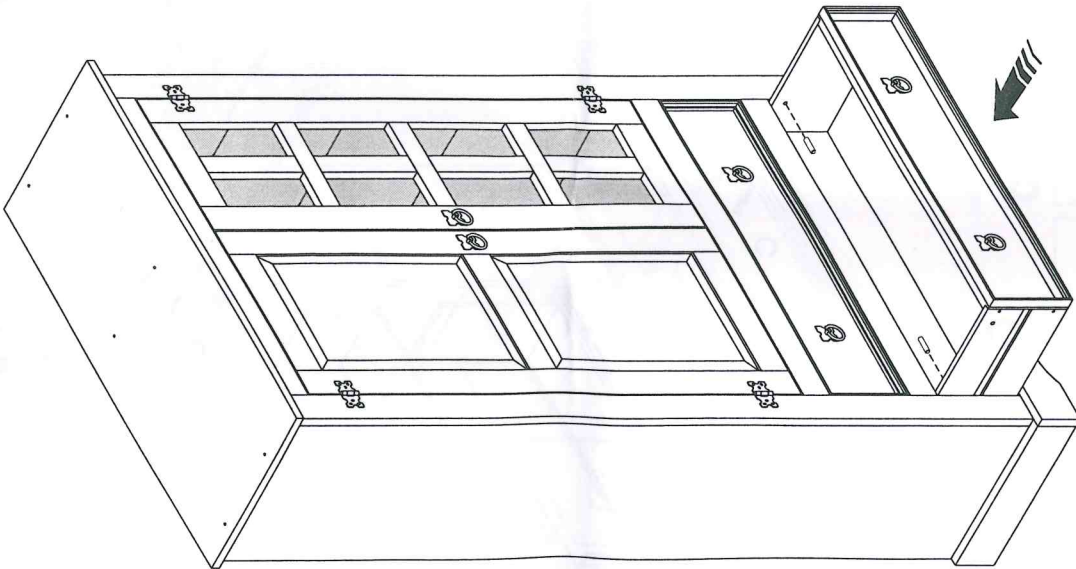


**d:**



17

Ax4  
Ø6x30mm



18

Mx46

